

Signet 5500 Flow Monitor

Member of the ProPoint™ Family of Monitors



Featuring analog and digital displays and a remote resettable totalizer.

Description

The Signet 5500 Flow Monitor is an instrument that comes fully equipped with all of the basic tools needed for monitoring and controlling a flow system. The analog dial enables the user to easily read instantaneous flow rate, while the backlit LCD is useful for calibration, set-up, and displaying totalized flow volume. The 5500 features a standard 1/4 DIN package and removable wiring terminals. Power the instrument with any standard 24-volt power supply (AC or DC).

Connect any one of Signet's wide array of flow sensors, then consider which output features are best for your application.

Two dry-contact relays can be configured for High or Low alarm operation, or they can be set to pulse operation for chemical dosing applications.

Use the internally powered 4 to 20mA output, programmable from the front keypad, to send the flow information to any PLC or data logger.

If you use all of these output features, you still have two more output pulse terminals, one at sensor frequency, the other triggered by the totalizer. And just for added convenience, the resettable totalizer can be reset by a remote hard-wired switch, up to 30m (100 ft.), or from the front keypad.

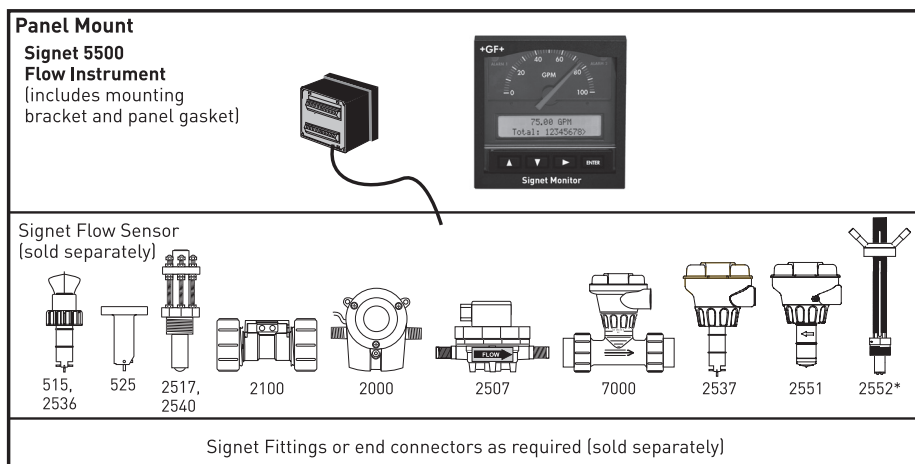
Features

- Permanent and Re-settable Totalizers
- Two programmable relays
- Fully scaleable 4 to 20 mA Output
- Tamper proof security code
- Non-volatile memory
- Intuitive software design
- Programmable pulse outputs

Applications

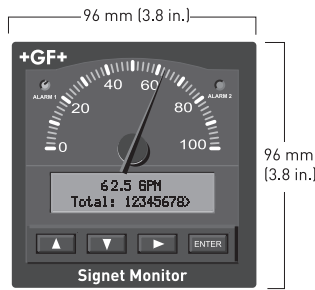
- Waste Water Flow Accumulation
- Water Treatment Systems
- Filtration Systems
- Feed Pump Pulsing
- Fertigation
- Irrigation
- Commercial Pools & Spas
- Groundwater Remediation
- HVAC
- Process Flow Monitoring
- UPW Distribution
- Demineralizer Regeneration
- Process Cooling Water
- Neutralization Systems

System Overview

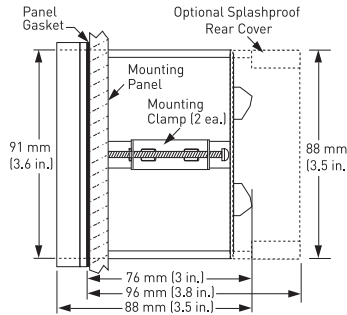


*Contact your local Georg Fischer Sales Office for availability

Dimensions



Front View



SIDE VIEW

Specifications

General

Operating Range: 0.5 Hz to 10kHz

Display:

- Analog: Six slide-in dial ranges - 0 to 2, 4, 6, 8, 10 & 100 w/multipliers
- Digital: Backlit LCD, 2x16 alphanumeric character

Materials

- Enclosure: ABS Plastic
- Keypad: Silicone Rubber
- Panel and case gasket: Neoprene
- Window: Hard-coated polycarbonate

Electrical

Power Requirements:

12 to 24 Volts, AC or DC, unregulated, 50 to 60 Hz, 10W max.

Current Output:

- 4 to 20 mA, non-isolated, active, internally powered
- Loop impedance: 350Ω max. @ 12V
950Ω max. @ 24V
- Accuracy: ± 0.1%
- Update rate: 100 msec

Electrical (continued)

Alarm Contacts:

- Two SPDT relays: Hi/Lo/Pulse programmable with adj. hysteresis
5A @ 30VDC
5A @ 125VAC
3A @ 250VAC max.
- Additional Functions: Sensor pulse output, volumetric auxiliary pulse output, remote totalizer reset
- Accuracy: ± 0.5% of reading

Environmental

Rating: NEMA 4X/IP65 front

Operating temperature:

-10 to 55° C (14 to 131° F)

Relative humidity:

0 to 95%, non-condensing

Shipping Weight:

0.8 kg (1.8 lbs.)

Standards and Approvals

- UL, CE, CUL
- Manufactured under ISO 9001:2000 for Quality and ISO 14001:2004 for Environmental Management

FLOW

Ordering Information

Mfr. Part No.	Code	Description
3-5500	198 825 002	5500 Flow Monitor

Model 5500

Ordering Notes:

- 1) Panel cutout should be 92 x 92 mm (3.62 x 3.62 in.)
- 2) Reversible dials are included and are scaled from 0 to 2, 0 to 4, 0 to 6, 0 to 8, 0 to 10, and 0 to 100.
- 3) An optional splash proof rear cover can be ordered separately if needed.
- 4) Flow rate unit tags are provided for labeling dials appropriately in units of gpm, lpm, etc.

Please refer to Wiring, Installation, and Accessories sections for more information.

Accessories and Replacement Parts

Mfr. Part No.	Code	Description
Mounting		
3-5000.395	198 840 227	Splashproof rear cover
3-5000.399	198 840 224	5 x 5 inch adapter plate for Signet product retrofit
		Surface mount bracket
		Heavy duty wall mount bracket
Liquid tight connectors		
3-9000.392	159 000 368	Liquid tight connector kit (includes 3 connectors)
3-9000.392-1	159 000 839	Liquid tight connector kit, NPT (1 piece)
3-9000.392-2	159 000 841	Liquid tight connector kit, PG13.5 (1 piece)
Replacement parts		
3-5000.390	159 000 232	Installation kit (ProPoint screws, clamps, and mounting brackets)
		Bezel, 5000 series
		Dial kit
		Unit tags
		5000 Series Window (Window, keypad, & screws)
		Protective Overlay kit (10 pcs.)
		110V/24VAC Transformer
		RC Filter Kit (for relay use)
3-5000.398	159 000 646	
3-5000.075	159 000 321	
3-8050.396	159 000 617	