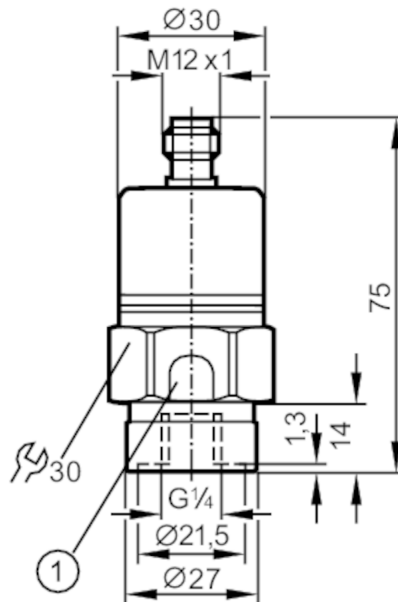


PA3020



Pressure transmitter with ceramic measuring cell

PA-400-SBR14-A-ZVG/US/ IV



- 1 Pressure relief mechanism
No mechanical force must be exerted on the pressure relief mechanism.



Product characteristics

Number of inputs and outputs	Number of analog outputs: 1		
Measuring range	0...400 bar	0...5800 psi	0...40 MPa
Process connection	threaded connection G 1/4 Internal thread		

Application

System	gold-plated contacts		
Application	for industrial applications		
Media	liquids and gases		
Conditionally suitable for	use in gases at pressures > 25 bar only on request		
Medium temperature [°C]	-25...90; (on request: -40...90 °C)		
Min. bursting pressure	1000 bar	14500 psi	100 MPa
Pressure rating	600 bar	8700 psi	60 MPa
Type of pressure	relative pressure		

Electrical data

Operating voltage [V]	9.6...32 DC		
Min. insulation resistance [MΩ]	100; (500 V DC)		
Protection class	III		
Reverse polarity protection	yes		

Inputs / outputs

Number of inputs and outputs	Number of analog outputs: 1		
------------------------------	-----------------------------	--	--

Outputs

Total number of outputs	1		
Output signal	analog signal		

PA3020



Pressure transmitter with ceramic measuring cell

PA-400-SBR14-A-ZVG/US/ IV

Number of analog outputs	1
Analog current output [mA]	4...20
Max. load [Ω]	720; ($U_b = 24\text{ V}$; ($U_b - 9,6\text{ V}$) / 20 mA)
Overload protection	yes

Measuring/setting range

Measuring range	0...400 bar	0...5800 psi	0...40 MPa
-----------------	-------------	--------------	------------

Accuracy / deviations

Repeatability [% of the span]	< 0,1; (with temperature fluctuations < 10 K)
Characteristics deviation [% of the span]	< $\pm 0,25$ (BFSL) / < $\pm 0,5$ (LS); (BFSL = Best Fit Straight Line; LS = limit value setting)
Long-term stability [% of the span]	< $\pm 0,05$; (per 6 months)
Temperature coefficient zero point [% of the span / 10 K]	0,1; (0...80 °C)
Temperature coefficient span [% of the span / 10 K]	0,2; (0...80 °C)

Reaction times

Step response time analog output [ms]	3
---------------------------------------	---

Operating conditions

Ambient temperature [°C]	-25...80
Storage temperature [°C]	-40...100
Protection	IP 68; IP 69K

Tests / approvals

EMC	EN 61000-4-2 ESD	4 kV CD / 8 kV AD
	EN 61000-4-3 HF radiated	30 V/m
	EN 61000-4-4 Burst	2 kV
	EN 61000-4-6 HF conducted	10 V
	radiation of interference	according to the automotive directive 2004/104/EC
	CISPR 25	
	noise immunity	according to the automotive directive 2004/104/EC
Shock resistance	ISO 11452-2 HF radiated	100 V/m
	ISO 7637-2 pulse	severity level 4
	DIN EN 60068-2-27	50 g (11 ms)
Vibration resistance	DIN EN 61373	Category 3
	DIN EN 60068-2-6	20 g (10...2000 Hz)
	DIN EN 61373	Category 2
MTTF [years]	555	
Pressure equipment directive	sound engineering practice; can be used for group 2 fluids; group 1 fluids on request	
Railway applications	DIN EN 50155 / IEC 60571	Klasse T3, C1, S1

Mechanical data

Weight [g]	222.5
Housing	tubular
Dimensions [mm]	$\varnothing 30$ / L = 75

PA3020



Pressure transmitter with ceramic measuring cell

PA-400-SBR14-A-ZVG/US/ IV

Material	stainless steel (1.4404 / 316L); FKM; PA; EPDM/X
Materials (wetted parts)	stainless steel (1.4305 / 303); ceramics; FKM
Min. pressure cycles	100 million
Process connection	threaded connection G 1/4 Internal thread
Restrictor element integrated	yes

Remarks

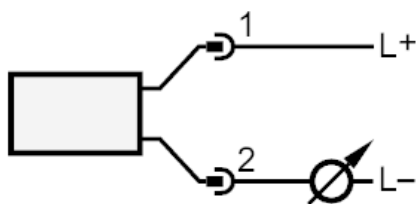
Pack quantity	1 pcs.
---------------	--------

Electrical connection

Connector: 1 x M12; coding: A; Contacts: gold-plated



Connection

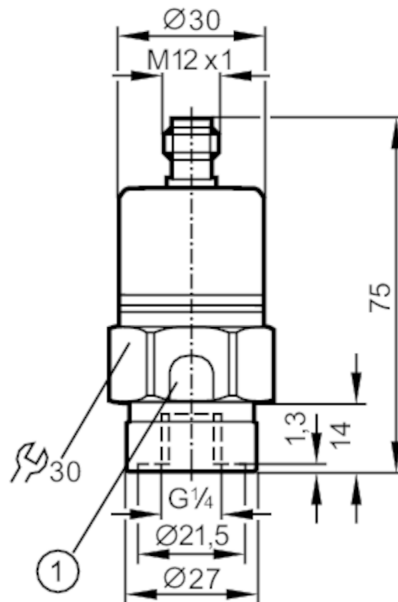


PA3021



Pressure transmitter with ceramic measuring cell

PA-250-SBR14-A-ZVG/US/ IV



- 1 Pressure relief mechanism
No mechanical force must be exerted on the pressure relief mechanism.



Product characteristics

Number of inputs and outputs	Number of analog outputs: 1		
Measuring range	0...250 bar	0...3625 psi	0...25 MPa
Process connection	threaded connection G 1/4 Internal thread		

Application

System	gold-plated contacts		
Application	for industrial applications		
Media	liquids and gases		
Conditionally suitable for	use in gases at pressures > 25 bar only on request		
Medium temperature [°C]	-25...90; (on request: -40...90 °C)		
Min. bursting pressure	850 bar	12300 psi	85 MPa
Pressure rating	400 bar	5800 psi	40 MPa
Type of pressure	relative pressure		

Electrical data

Operating voltage [V]	9.6...32 DC		
Min. insulation resistance [MΩ]	100; (500 V DC)		
Protection class	III		
Reverse polarity protection	yes		

Inputs / outputs

Number of inputs and outputs	Number of analog outputs: 1		
------------------------------	-----------------------------	--	--

Outputs

Total number of outputs	1		
Output signal	analog signal		

PA3021



Pressure transmitter with ceramic measuring cell

PA-250-SBR14-A-ZVG/US/ IV

Number of analog outputs	1
Analog current output [mA]	4...20
Max. load [Ω]	720; ($U_b = 24\text{ V}$; ($U_b - 9,6\text{ V}$) / 20 mA)
Overload protection	yes

Measuring/setting range

Measuring range	0...250 bar	0...3625 psi	0...25 MPa
-----------------	-------------	--------------	------------

Accuracy / deviations

Repeatability [% of the span]	< 0,1; (with temperature fluctuations < 10 K)
Characteristics deviation [% of the span]	< $\pm 0,25$ (BFSL) / < $\pm 0,5$ (LS); (BFSL = Best Fit Straight Line; LS = limit value setting)
Long-term stability [% of the span]	< $\pm 0,05$; (per 6 months)
Temperature coefficient zero point [% of the span / 10 K]	0,1; (0...80 °C)
Temperature coefficient span [% of the span / 10 K]	0,2; (0...80 °C)

Reaction times

Step response time analog output [ms]	3
---------------------------------------	---

Operating conditions

Ambient temperature [°C]	-25...80
Storage temperature [°C]	-40...100
Protection	IP 68; IP 69K

Tests / approvals

EMC	EN 61000-4-2 ESD	4 kV CD / 8 kV AD
	EN 61000-4-3 HF radiated	30 V/m
	EN 61000-4-4 Burst	2 kV
	EN 61000-4-6 HF conducted	10 V
	radiation of interference	according to the automotive directive 2004/104/EC
	CISPR 25	
	noise immunity	according to the automotive directive 2004/104/EC
	ISO 11452-2 HF radiated	100 V/m
	ISO 7637-2 pulse	severity level 4
	Shock resistance	DIN EN 60068-2-27
DIN EN 61373		Category 3
Vibration resistance	DIN EN 60068-2-6	20 g (10...2000 Hz)
	DIN EN 61373	Category 2
MTTF [years]	507	
Pressure equipment directive	sound engineering practice; can be used for group 2 fluids; group 1 fluids on request	
Railway applications	DIN EN 50155 / IEC 60571	Klasse T3, C1, S1

Mechanical data

Weight [g]	222.5
Housing	tubular
Dimensions [mm]	$\varnothing 30$ / L = 75

PA3021



Pressure transmitter with ceramic measuring cell

PA-250-SBR14-A-ZVG/US/ IV

Material	stainless steel (1.4404 / 316L); FKM; PA; EPDM/X
Materials (wetted parts)	stainless steel (1.4305 / 303); ceramics; FKM
Min. pressure cycles	100 million
Process connection	threaded connection G 1/4 Internal thread
Restrictor element integrated	yes

Remarks

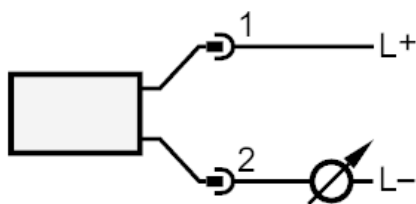
Pack quantity	1 pcs.
---------------	--------

Electrical connection

Connector: 1 x M12; coding: A; Contacts: gold-plated



Connection

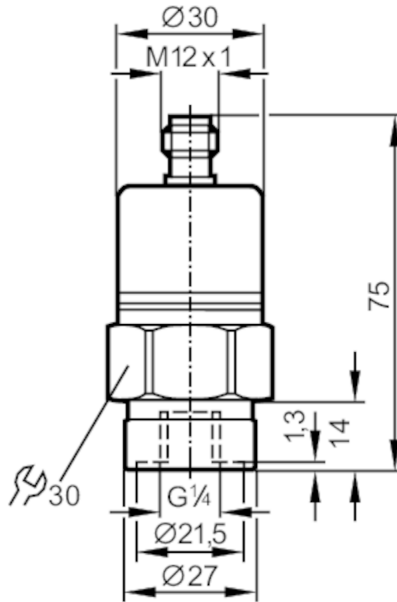


PA3022



Pressure transmitter with ceramic measuring cell

PA-100-SBR14-A-ZVG/US/ IV



Product characteristics

Number of inputs and outputs	Number of analog outputs: 1		
Measuring range	0...100 bar	0...1450 psi	0...10 MPa
Process connection	threaded connection G 1/4 Internal thread		

Application

System	gold-plated contacts		
Application	for industrial applications		
Media	liquids and gases		
Conditionally suitable for	use in gases at pressures > 25 bar only on request		
Medium temperature [°C]	-25...90; (on request: -40...90 °C)		
Min. bursting pressure	650 bar	9425 psi	65 MPa
Pressure rating	300 bar	4350 psi	30 MPa
Type of pressure	relative pressure		

Electrical data

Operating voltage [V]	9.6...32 DC		
Min. insulation resistance [MΩ]	100; (500 V DC)		
Protection class	III		
Reverse polarity protection	yes		

Inputs / outputs

Number of inputs and outputs	Number of analog outputs: 1		
------------------------------	-----------------------------	--	--

Outputs

Total number of outputs	1		
Output signal	analog signal		
Number of analog outputs	1		

PA3022



Pressure transmitter with ceramic measuring cell

PA-100-SBR14-A-ZVG/US/ IV

Analog current output	[mA]	4...20
Max. load	[Ω]	720; (U _b = 24 V; (U _b - 9,6 V) / 20 mA)
Overload protection		yes

Measuring/setting range

Measuring range	0...100 bar	0...1450 psi	0...10 MPa
-----------------	-------------	--------------	------------

Accuracy / deviations

Repeatability	[% of the span]	< 0,1; (with temperature fluctuations < 10 K)
Characteristics deviation	[% of the span]	< ± 0,25 (BFSL) / < ± 0,5 (LS); (BFSL = Best Fit Straight Line; LS = limit value setting)
Long-term stability	[% of the span]	< ± 0,05; (per 6 months)
Temperature coefficient zero point	[% of the span / 10 K]	0,1; (0...80 °C)
Temperature coefficient span	[% of the span / 10 K]	0,2; (0...80 °C)

Reaction times

Step response time analog output	[ms]	3
----------------------------------	------	---

Operating conditions

Ambient temperature	[°C]	-25...80
Storage temperature	[°C]	-40...100
Protection		IP 68; IP 69K

Tests / approvals

EMC	EN 61000-4-2 ESD	4 kV CD / 8 kV AD
	EN 61000-4-3 HF radiated	30 V/m
	EN 61000-4-4 Burst	2 kV
	EN 61000-4-6 HF conducted	10 V
	radiation of interference	according to the automotive directive 2004/104/EC
	CISPR 25	
	noise immunity	according to the automotive directive 2004/104/EC
	ISO 11452-2 HF radiated	100 V/m
	ISO 7637-2 pulse	severity level 4
	Shock resistance	DIN EN 60068-2-27
DIN EN 61373		Category 3
Vibration resistance	DIN EN 60068-2-6	20 g (10...2000 Hz)
	DIN EN 61373	Category 2
MTTF	[years]	507
Pressure equipment directive		sound engineering practice; can be used for group 2 fluids; group 1 fluids on request
Railway applications	DIN EN 50155 / IEC 60571	Klasse T3, C1, S1

Mechanical data

Weight	[g]	222
Housing		tubular
Dimensions	[mm]	∅ 30 / L = 75
Material		stainless steel (1.4404 / 316L); FKM; PA; EPDM/X

PA3022



Pressure transmitter with ceramic measuring cell

PA-100-SBR14-A-ZVG/US/ IV

Materials (wetted parts)	stainless steel (1.4305 / 303); ceramics; FKM
Min. pressure cycles	100 million
Process connection	threaded connection G 1/4 Internal thread
Restrictor element integrated	no (can be retrofitted)

Remarks

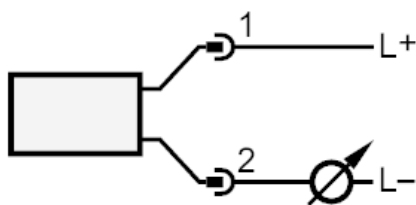
Pack quantity	1 pcs.
---------------	--------

Electrical connection

Connector: 1 x M12; coding: A; Contacts: gold-plated



Connection

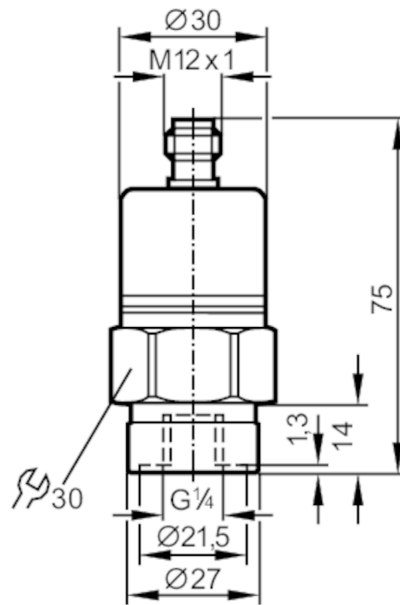


PA3023



Pressure transmitter with ceramic measuring cell

PA-025-RBR14-A-ZVG/US/ IV



Product characteristics

Number of inputs and outputs	Number of analog outputs: 1		
Measuring range	0...25 bar	0...363 psi	0...2.5 MPa
Process connection	threaded connection G 1/4 Internal thread		

Application

System	gold-plated contacts		
Application	for industrial applications		
Media	liquids and gases		
Medium temperature [°C]	-25...90; (on request: -40...90 °C)		
Min. bursting pressure	350 bar	5075 psi	35 MPa
Pressure rating	150 bar	2175 psi	15 MPa
Type of pressure	relative pressure		

Electrical data

Operating voltage [V]	9.6...32 DC		
Min. insulation resistance [MΩ]	100; (500 V DC)		
Protection class	III		
Reverse polarity protection	yes		

Inputs / outputs

Number of inputs and outputs	Number of analog outputs: 1		
------------------------------	-----------------------------	--	--

Outputs

Total number of outputs	1		
Output signal	analog signal		
Number of analog outputs	1		
Analog current output [mA]	4...20		

PA3023



Pressure transmitter with ceramic measuring cell

PA-025-RBR14-A-ZVG/US/ IV

Max. load	[Ω]	720; (U _b = 24 V; (U _b - 9,6 V) / 20 mA)
Overload protection		yes

Measuring/setting range

Measuring range	0...25 bar	0...363 psi	0...2.5 MPa
-----------------	------------	-------------	-------------

Accuracy / deviations

Repeatability	[% of the span]	< 0,1; (with temperature fluctuations < 10 K)
Characteristics deviation	[% of the span]	< ± 0,25 (BFSL) / < ± 0,5 (LS); (BFSL = Best Fit Straight Line; LS = limit value setting)
Long-term stability	[% of the span]	< ± 0,05; (per 6 months)
Temperature coefficient zero point	[% of the span / 10 K]	0,1; (0...80 °C)
Temperature coefficient span	[% of the span / 10 K]	0,2; (0...80 °C)

Reaction times

Step response time analog output	[ms]	3
----------------------------------	------	---

Operating conditions

Ambient temperature	[°C]	-25...80
Storage temperature	[°C]	-40...100
Protection		IP 65

Tests / approvals

EMC	EN 61000-4-2 ESD	4 kV CD / 8 kV AD
	EN 61000-4-3 HF radiated	30 V/m
	EN 61000-4-4 Burst	2 kV
	EN 61000-4-6 HF conducted	10 V
	radiation of interference	according to the automotive directive 2004/104/EC
	CISPR 25	
	noise immunity	according to the automotive directive 2004/104/EC
Shock resistance	ISO 11452-2 HF radiated	100 V/m
	ISO 7637-2 pulse	severity level 4
	DIN EN 60068-2-27	50 g (11 ms)
Vibration resistance	DIN EN 61373	Category 3
	DIN EN 60068-2-6	20 g (10...2000 Hz)
	DIN EN 61373	Category 2
MTTF	[years]	506
Pressure equipment directive		sound engineering practice; can be used for group 2 fluids; group 1 fluids on request
Railway applications	DIN EN 50155 / IEC 60571	Klasse T3, C1, S1

Mechanical data

Weight	[g]	223
Housing		tubular
Dimensions	[mm]	Ø 30 / L = 75
Material		stainless steel (1.4404 / 316L); FKM; PA; EPDM/X
Materials (wetted parts)		stainless steel (1.4305 / 303); ceramics; FKM

PA3023



Pressure transmitter with ceramic measuring cell

PA-025-RBR14-A-ZVG/US/ IV

Min. pressure cycles	100 million
Process connection	threaded connection G 1/4 Internal thread
Restrictor element integrated	no (can be retrofitted)

Remarks

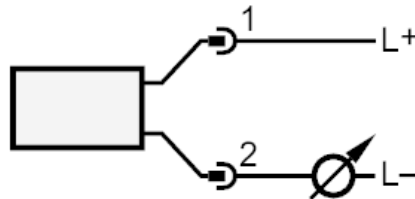
Pack quantity	1 pcs.
---------------	--------

Electrical connection

Connector: 1 x M12; coding: A; Contacts: gold-plated



Connection

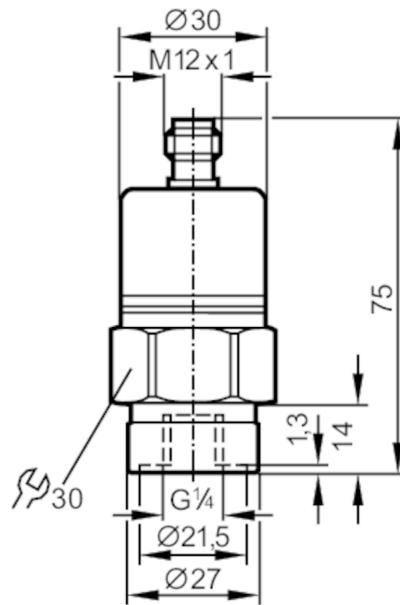


PA3024



Pressure transmitter with ceramic measuring cell

PA-010-RBR14-A-ZVG/US/ IV



Product characteristics

Number of inputs and outputs	Number of analog outputs: 1			
Measuring range	0...10 bar	0...145 psi	0...1000 kPa	0...1 MPa
Process connection	threaded connection G 1/4 Internal thread			

Application

System	gold-plated contacts		
Application	for industrial applications		
Media	liquids and gases		
Medium temperature [°C]	-25...90; (on request: -40...90 °C)		
Min. bursting pressure	150 bar	2175 psi	15 MPa
Pressure rating	75 bar	1088 psi	7.5 MPa
Type of pressure	relative pressure		

Electrical data

Operating voltage [V]	9.6...32 DC		
Min. insulation resistance [MΩ]	100; (500 V DC)		
Protection class	III		
Reverse polarity protection	yes		

Inputs / outputs

Number of inputs and outputs	Number of analog outputs: 1		
------------------------------	-----------------------------	--	--

Outputs

Total number of outputs	1		
Output signal	analog signal		
Number of analog outputs	1		
Analog current output [mA]	4...20		

PA3024



Pressure transmitter with ceramic measuring cell

PA-010-RBR14-A-ZVG/US/ IV

Max. load	[Ω]	720; (U _b = 24 V; (U _b - 9,6 V) / 20 mA)			
Overload protection		yes			
Measuring/setting range					
Measuring range		0...10 bar	0...145 psi	0...1000 kPa	0...1 MPa
Accuracy / deviations					
Repeatability	[% of the span]	< 0,1; (with temperature fluctuations < 10 K)			
Characteristics deviation	[% of the span]	< ± 0,25 (BFSL) / < ± 0,5 (LS); (BFSL = Best Fit Straight Line; LS = limit value setting)			
Long-term stability	[% of the span]	< ± 0,05; (per 6 months)			
Temperature coefficient zero point	[% of the span / 10 K]	0,1; (0...80 °C)			
Temperature coefficient span	[% of the span / 10 K]	0,2; (0...80 °C)			
Reaction times					
Step response time analog output	[ms]	3			
Operating conditions					
Ambient temperature	[°C]	-25...80			
Storage temperature	[°C]	-40...100			
Protection		IP 65			
Tests / approvals					
EMC	EN 61000-4-2 ESD	4 kV CD / 8 kV AD			
	EN 61000-4-3 HF radiated	30 V/m			
	EN 61000-4-4 Burst	2 kV			
	EN 61000-4-6 HF conducted radiation of interference	10 V according to the automotive directive 2004/104/EC			
	CISPR 25 noise immunity	according to the automotive directive 2004/104/EC			
	ISO 11452-2 HF radiated	100 V/m			
	ISO 7637-2 pulse	severity level 4			
	Shock resistance	DIN EN 60068-2-27	50 g (11 ms)		
DIN EN 61373		Category 3			
Vibration resistance	DIN EN 60068-2-6	20 g (10...2000 Hz)			
	DIN EN 61373	Category 2			
MTTF	[years]	506			
Pressure equipment directive		sound engineering practice; can be used for group 2 fluids; group 1 fluids on request			
Railway applications		DIN EN 50155 / IEC 60571	Klasse T3, C1, S1		
Mechanical data					
Weight	[g]	226			
Housing		tubular			
Dimensions	[mm]	Ø 30 / L = 75			
Material		stainless steel (1.4404 / 316L); FKM; PA; EPDM/X			
Materials (wetted parts)		stainless steel (1.4305 / 303); ceramics; FKM			

PA3024



Pressure transmitter with ceramic measuring cell

PA-010-RBR14-A-ZVG/US/ IV

Min. pressure cycles	100 million
Process connection	threaded connection G 1/4 Internal thread
Restrictor element integrated	no (can be retrofitted)

Remarks

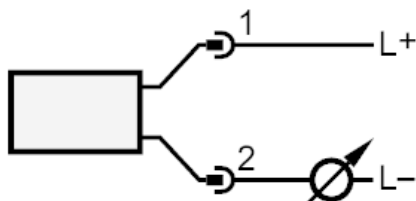
Pack quantity	1 pcs.
---------------	--------

Electrical connection

Connector: 1 x M12; coding: A; Contacts: gold-plated



Connection

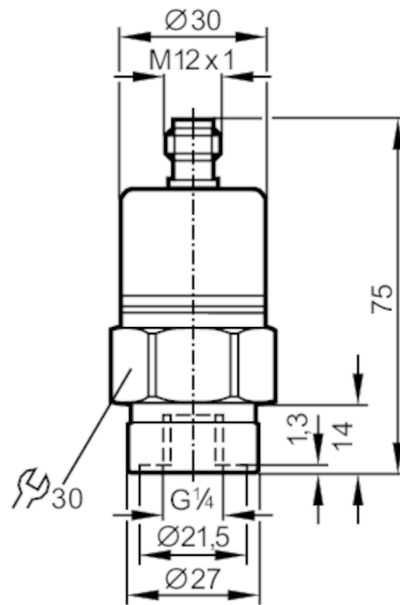


PA3026



Pressure transmitter with ceramic measuring cell

PA-2,5-RBR14-A-ZVG/US/ IV



Product characteristics

Number of inputs and outputs	Number of analog outputs: 1			
Measuring range	0...2.5 bar	0...2500 mbar	0...36 psi	0...250 kPa
Process connection	threaded connection G 1/4 Internal thread			

Application

System	gold-plated contacts		
Application	for industrial applications		
Media	liquids and gases		
Medium temperature [°C]	-25...90; (on request: -40...90 °C)		
Min. bursting pressure	50 bar	725 psi	5 MPa
Pressure rating	20 bar	290 psi	2 MPa
Type of pressure	relative pressure		

Electrical data

Operating voltage [V]	9.6...32 DC		
Min. insulation resistance [MΩ]	100; (500 V DC)		
Protection class	III		
Reverse polarity protection	yes		

Inputs / outputs

Number of inputs and outputs	Number of analog outputs: 1		
------------------------------	-----------------------------	--	--

Outputs

Total number of outputs	1		
Output signal	analog signal		
Number of analog outputs	1		
Analog current output [mA]	4...20		

PA3026



Pressure transmitter with ceramic measuring cell

PA-2,5-RBR14-A-ZVG/US/ IV

Max. load	[Ω]	720; (U _b = 24 V; (U _b - 9,6 V) / 20 mA)			
Overload protection		yes			
Measuring/setting range					
Measuring range		0...2.5 bar	0...2500 mbar	0...36 psi	0...250 kPa
Accuracy / deviations					
Repeatability	[% of the span]	< 0,1; (with temperature fluctuations < 10 K)			
Characteristics deviation	[% of the span]	< ± 0,25 (BFSL) / < ± 0,5 (LS); (BFSL = Best Fit Straight Line; LS = limit value setting)			
Long-term stability	[% of the span]	< ± 0,05; (per 6 months)			
Temperature coefficient zero point	[% of the span / 10 K]	0,1; (0...80 °C)			
Temperature coefficient span	[% of the span / 10 K]	0,2; (0...80 °C)			
Reaction times					
Step response time analog output	[ms]	3			
Operating conditions					
Ambient temperature	[°C]	-25...80			
Storage temperature	[°C]	-40...100			
Protection		IP 65			
Tests / approvals					
EMC	EN 61000-4-2 ESD	4 kV CD / 8 kV AD			
	EN 61000-4-3 HF radiated	30 V/m			
	EN 61000-4-4 Burst	2 kV			
	EN 61000-4-6 HF conducted	10 V			
	radiation of interference	according to the automotive directive 2004/104/EC			
	CISPR 25				
	noise immunity	according to the automotive directive 2004/104/EC			
	ISO 11452-2 HF radiated	100 V/m			
Shock resistance	ISO 7637-2 pulse	severity level 4			
	DIN EN 60068-2-27	50 g (11 ms)			
Vibration resistance	DIN EN 61373	Category 3			
	DIN EN 60068-2-6	20 g (10...2000 Hz)			
MTTF	DIN EN 61373	Category 2			
	[years]	506			
Pressure equipment directive		sound engineering practice; can be used for group 2 fluids; group 1 fluids on request			
Railway applications		DIN EN 50155 / IEC 60571	Klasse T3, C1, S1		
Mechanical data					
Weight	[g]	222,5			
Housing		tubular			
Dimensions	[mm]	Ø 30 / L = 75			
Material		stainless steel (1.4404 / 316L); FKM; PA; EPDM/X			
Materials (wetted parts)		stainless steel (1.4305 / 303); ceramics; FKM			

PA3026



Pressure transmitter with ceramic measuring cell

PA-2,5-RBR14-A-ZVG/US/ IV

Min. pressure cycles	100 million
Process connection	threaded connection G 1/4 Internal thread
Restrictor element integrated	no (can be retrofitted)

Remarks

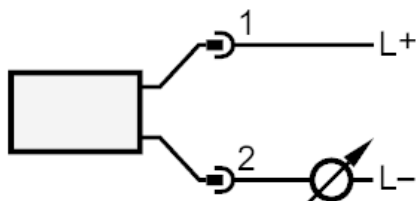
Pack quantity	1 pcs.
---------------	--------

Electrical connection

Connector: 1 x M12; coding: A; Contacts: gold-plated



Connection

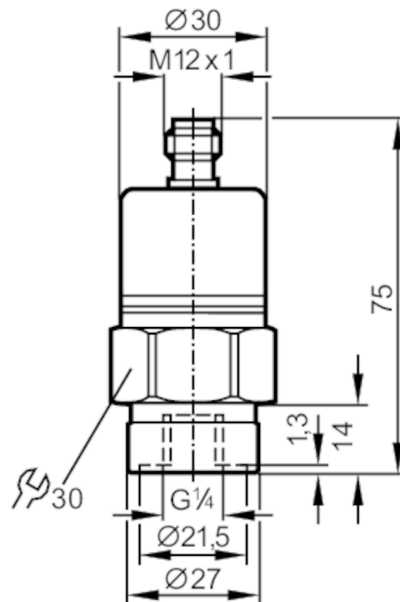


PA3027



Pressure transmitter with ceramic measuring cell

PA-001-RBR14-A-ZVG/US/ IV



Product characteristics

Number of inputs and outputs	Number of analog outputs: 1			
Measuring range	0...1 bar	0...1000 mbar	0...14.5 psi	0...100 kPa
Process connection	threaded connection G 1/4 Internal thread			

Application

System	gold-plated contacts		
Application	for industrial applications		
Media	liquids and gases		
Medium temperature [°C]	-25...90; (on request: -40...90 °C)		
Min. bursting pressure	30 bar	435 psi	3 MPa
Pressure rating	10 bar	145 psi	1 MPa
Type of pressure	relative pressure		

Electrical data

Operating voltage [V]	9.6...32 DC		
Min. insulation resistance [MΩ]	100; (500 V DC)		
Protection class	III		
Reverse polarity protection	yes		

Inputs / outputs

Number of inputs and outputs	Number of analog outputs: 1		
------------------------------	-----------------------------	--	--

Outputs

Total number of outputs	1		
Output signal	analog signal		
Number of analog outputs	1		
Analog current output [mA]	4...20		

PA3027



Pressure transmitter with ceramic measuring cell

PA-001-RBR14-A-ZVG/US/ IV

Max. load	[Ω]	720; (U _b = 24 V; (U _b - 9,6 V) / 20 mA)			
Overload protection		yes			
Measuring/setting range					
Measuring range		0...1 bar	0...1000 mbar	0...14.5 psi	0...100 kPa
Accuracy / deviations					
Repeatability	[% of the span]	< 0,1; (with temperature fluctuations < 10 K)			
Characteristics deviation	[% of the span]	< ± 0,25 (BFSL) / < ± 0,5 (LS); (BFSL = Best Fit Straight Line; LS = limit value setting)			
Long-term stability	[% of the span]	< ± 0,05; (per 6 months)			
Temperature coefficient zero point	[% of the span / 10 K]	0,1; (0...80 °C)			
Temperature coefficient span	[% of the span / 10 K]	0,2; (0...80 °C)			
Reaction times					
Step response time analog output	[ms]	3			
Operating conditions					
Ambient temperature	[°C]	-25...80			
Storage temperature	[°C]	-40...100			
Protection		IP 65			
Tests / approvals					
EMC	EN 61000-4-2 ESD	4 kV CD / 8 kV AD			
	EN 61000-4-3 HF radiated	30 V/m			
	EN 61000-4-4 Burst	2 kV			
	EN 61000-4-6 HF conducted radiation of interference	10 V according to the automotive directive 2004/104/EC			
	CISPR 25 noise immunity	according to the automotive directive 2004/104/EC			
	ISO 11452-2 HF radiated	100 V/m			
	ISO 7637-2 pulse	severity level 4			
	Shock resistance	DIN EN 60068-2-27	50 g (11 ms)		
DIN EN 61373		Category 3			
Vibration resistance	DIN EN 60068-2-6	20 g (10...2000 Hz)			
	DIN EN 61373	Category 2			
MTTF	[years]	506			
Pressure equipment directive		sound engineering practice; can be used for group 2 fluids; group 1 fluids on request			
Railway applications		DIN EN 50155 / IEC 60571	Klasse T3, C1, S1		
Mechanical data					
Weight	[g]	221.5			
Housing		tubular			
Dimensions	[mm]	Ø 30 / L = 75			
Material		stainless steel (1.4404 / 316L); FKM; PA; EPDM/X			
Materials (wetted parts)		stainless steel (1.4305 / 303); ceramics; FKM			

PA3027



Pressure transmitter with ceramic measuring cell

PA-001-RBR14-A-ZVG/US/ IV

Min. pressure cycles	100 million
Process connection	threaded connection G 1/4 Internal thread
Restrictor element integrated	no (can be retrofitted)

Remarks

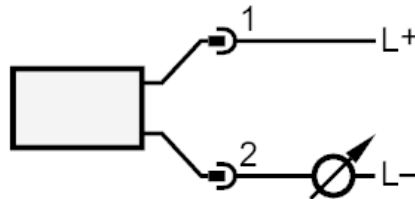
Pack quantity	1 pcs.
---------------	--------

Electrical connection

Connector: 1 x M12; coding: A; Contacts: gold-plated



Connection

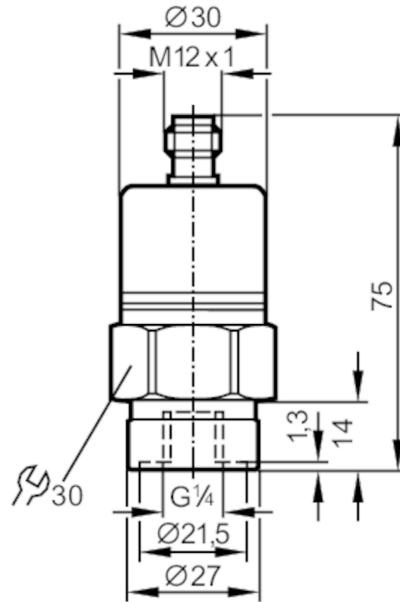


PA3028



Pressure transmitter with ceramic measuring cell

PA-,25BRBR14-A-ZVG/US/ IV



Product characteristics

Number of inputs and outputs	Number of analog outputs: 1			
Measuring range	0...0.25 bar	0...250 mbar	0...100.3 inH2O	0...25 kPa
Process connection	threaded connection G 1/4 Internal thread			

Application

System	gold-plated contacts		
Application	for industrial applications		
Media	liquids and gases		
Medium temperature [°C]	-25...90; (on request: -40...90 °C)		
Min. bursting pressure	30000 mbar	12030 inH2O	3000 kPa
Pressure rating	6000 mbar	2400 inH2O	600 kPa
Type of pressure	relative pressure		

Electrical data

Operating voltage [V]	9.6...32 DC		
Min. insulation resistance [MΩ]	100; (500 V DC)		
Protection class	III		
Reverse polarity protection	yes		

Inputs / outputs

Number of inputs and outputs	Number of analog outputs: 1		
------------------------------	-----------------------------	--	--

Outputs

Total number of outputs	1		
Output signal	analog signal		
Number of analog outputs	1		
Analog current output [mA]	4...20		

PA3028



Pressure transmitter with ceramic measuring cell

PA-,25BRBR14-A-ZVG/US/ IV

Max. load	[Ω]	720; (U _b = 24 V; (U _b - 9,6 V) / 20 mA)			
Overload protection		yes			
Measuring/setting range					
Measuring range		0...0.25 bar	0...250 mbar	0...100.3 inH ₂ O	0...25 kPa
Accuracy / deviations					
Repeatability	[% of the span]	< 0,1; (with temperature fluctuations < 10 K)			
Characteristics deviation	[% of the span]	< ± 0,25 (BFSL) / < ± 0,5 (LS); (BFSL = Best Fit Straight Line; LS = limit value setting)			
Long-term stability	[% of the span]	< ± 0,05; (per 6 months)			
Temperature coefficient zero point	[% of the span / 10 K]	0,2; (0...80 °C)			
Temperature coefficient span	[% of the span / 10 K]	0,3; (0...80 °C)			
Reaction times					
Step response time analog output	[ms]	3			
Operating conditions					
Ambient temperature	[°C]	-25...80			
Storage temperature	[°C]	-40...100			
Protection		IP 68; IP 69K			
Tests / approvals					
EMC	EN 61000-4-2 ESD	4 kV CD / 8 kV AD			
	EN 61000-4-3 HF radiated	30 V/m			
	EN 61000-4-4 Burst	2 kV			
	EN 61000-4-6 HF conducted radiation of interference	10 V according to the automotive directive 2004/104/EC			
	CISPR 25 noise immunity	according to the automotive directive 2004/104/EC			
	ISO 11452-2 HF radiated	100 V/m			
	ISO 7637-2 pulse	severity level 4			
	Shock resistance	DIN EN 60068-2-27	50 g (11 ms)		
DIN EN 61373		Category 3			
Vibration resistance	DIN EN 60068-2-6	20 g (10...2000 Hz)			
	DIN EN 61373	Category 2			
MTTF	[years]	514			
Pressure equipment directive		sound engineering practice; can be used for group 2 fluids; group 1 fluids on request			
Railway applications		DIN EN 50155 / IEC 60571	Klasse T3, C1, S1		
Mechanical data					
Weight	[g]	220			
Housing		tubular			
Dimensions	[mm]	Ø 30 / L = 75			
Material		stainless steel (1.4404 / 316L); FKM; PA; EPDM/X			
Materials (wetted parts)		stainless steel (1.4305 / 303); ceramics; FKM			

PA3028



Pressure transmitter with ceramic measuring cell

PA-,25BRBR14-A-ZVG/US/ IV

Min. pressure cycles	100 million
Process connection	threaded connection G 1/4 Internal thread
Restrictor element integrated	no (can be retrofitted)

Remarks

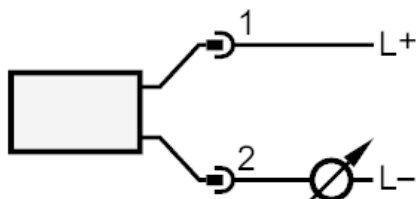
Pack quantity	1 pcs.
---------------	--------

Electrical connection

Connector: 1 x M12; coding: A; Contacts: gold-plated



Connection

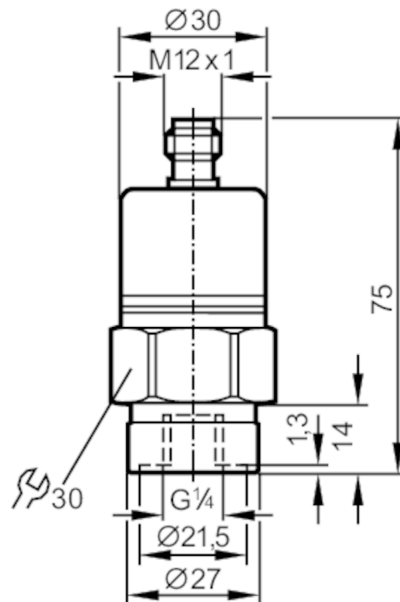


PA3029



Pressure transmitter with ceramic measuring cell

PA-0-1-RBR14-A-ZVG/US/ IV



Product characteristics

Number of inputs and outputs	Number of analog outputs: 1			
Measuring range	-1...0 bar	-1000...0 mbar	-14.5...0 psi	-100...0 kPa
Process connection	threaded connection G 1/4 Internal thread			

Application

System	gold-plated contacts		
Application	for industrial applications		
Media	liquids and gases		
Medium temperature [°C]	-25...90; (on request: -40...90 °C)		
Min. bursting pressure	30 bar	435 psi	3 MPa
Pressure rating	10 bar	145 psi	1 MPa
Type of pressure	relative pressure; vacuum		

Electrical data

Operating voltage [V]	9.6...32 DC		
Min. insulation resistance [MΩ]	100; (500 V DC)		
Protection class	III		
Reverse polarity protection	yes		

Inputs / outputs

Number of inputs and outputs	Number of analog outputs: 1		
------------------------------	-----------------------------	--	--

Outputs

Total number of outputs	1		
Output signal	analog signal		
Number of analog outputs	1		
Analog current output [mA]	4...20		

PA3029



Pressure transmitter with ceramic measuring cell

PA-0-1-RBR14-A-ZVG/US/ IV

Max. load	[Ω]	720; (U _b = 24 V; (U _b - 9,6 V) / 20 mA)			
Overload protection		yes			
Measuring/setting range					
Measuring range		-1...0 bar	-1000...0 mbar	-14.5...0 psi	-100...0 kPa
Accuracy / deviations					
Repeatability	[% of the span]	< 0,1; (with temperature fluctuations < 10 K)			
Characteristics deviation	[% of the span]	< ± 0,25 (BFSL) / < ± 0,5 (LS); (BFSL = Best Fit Straight Line; LS = limit value setting)			
Long-term stability	[% of the span]	< ± 0,05; (per 6 months)			
Temperature coefficient zero point	[% of the span / 10 K]	0,1; (0...80 °C)			
Temperature coefficient span	[% of the span / 10 K]	0,2; (0...80 °C)			
Reaction times					
Step response time analog output	[ms]	3			
Operating conditions					
Ambient temperature	[°C]	-25...80			
Storage temperature	[°C]	-40...100			
Protection		IP 65			
Tests / approvals					
EMC	EN 61000-4-2 ESD	4 kV CD / 8 kV AD			
	EN 61000-4-3 HF radiated	30 V/m			
	EN 61000-4-4 Burst	2 kV			
	EN 61000-4-6 HF conducted	10 V			
	radiation of interference	according to the automotive directive 2004/104/EC			
	CISPR 25				
	noise immunity	according to the automotive directive 2004/104/EC			
	ISO 11452-2 HF radiated	100 V/m			
Shock resistance	ISO 7637-2 pulse	severity level 4			
	DIN EN 60068-2-27	50 g (11 ms)			
Vibration resistance	DIN EN 61373	Category 3			
	DIN EN 60068-2-6	20 g (10...2000 Hz)			
MTTF	[years]	506			
Pressure equipment directive		sound engineering practice; can be used for group 2 fluids; group 1 fluids on request			
Railway applications		DIN EN 50155 / IEC 60571	Klasse T3, C1, S1		
Mechanical data					
Weight	[g]	222,5			
Housing		tubular			
Dimensions	[mm]	Ø 30 / L = 75			
Material		stainless steel (1.4404 / 316L); FKM; PA; EPDM/X			
Materials (wetted parts)		stainless steel (1.4305 / 303); ceramics; FKM			

PA3029



Pressure transmitter with ceramic measuring cell

PA-0-1-RBR14-A-ZVG/US/ IV

Min. pressure cycles	100 million
Process connection	threaded connection G 1/4 Internal thread
Restrictor element integrated	no (can be retrofitted)

Remarks

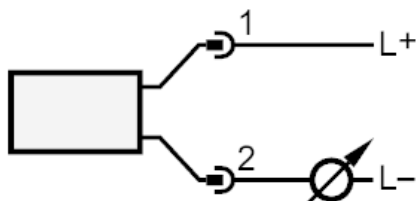
Pack quantity	1 pcs.
---------------	--------

Electrical connection

Connector: 1 x M12; coding: A; Contacts: gold-plated



Connection

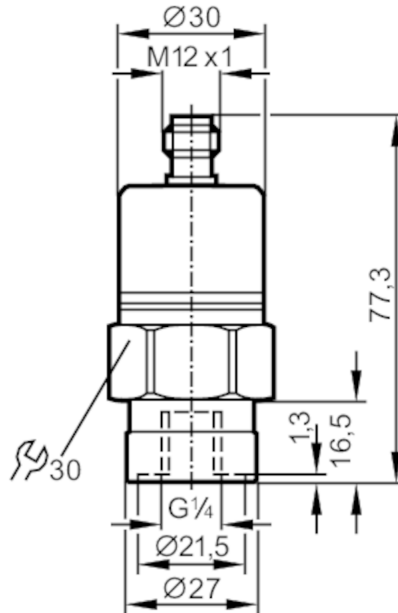


PA3060



Pressure transmitter with ceramic measuring cell

PA-600-SBR14-A-ZVG/US/ IV



Product characteristics

Number of inputs and outputs	Number of analog outputs: 1		
Measuring range	0...600 bar	0...8700 psi	0...60 MPa
Process connection	threaded connection G 1/4 Internal thread		

Application

System	gold-plated contacts		
Application	for industrial applications		
Media	liquids and gases		
Conditionally suitable for	use in gases at pressures > 25 bar only on request		
Medium temperature [°C]	-25...90; (on request: -40...90 °C)		
Min. bursting pressure	1200 bar	17400 psi	120 MPa
Pressure rating	800 bar	11600 psi	80 MPa
Type of pressure	relative pressure		

Electrical data

Operating voltage [V]	9.6...32 DC		
Min. insulation resistance [MΩ]	100; (500 V DC)		
Protection class	III		
Reverse polarity protection	yes		

Inputs / outputs

Number of inputs and outputs	Number of analog outputs: 1		
------------------------------	-----------------------------	--	--

Outputs

Total number of outputs	1		
Output signal	analog signal		
Number of analog outputs	1		

PA3060



Pressure transmitter with ceramic measuring cell

PA-600-SBR14-A-ZVG/US/ IV

Analog current output	[mA]	4...20
Max. load	[Ω]	720; (U _b = 24 V; (U _b - 9,6 V) / 20 mA)
Overload protection		yes

Measuring/setting range

Measuring range	0...600 bar	0...8700 psi	0...60 MPa
-----------------	-------------	--------------	------------

Accuracy / deviations

Repeatability	[% of the span]	< 0,1; (with temperature fluctuations < 10 K)
Characteristics deviation	[% of the span]	< ± 0,25 (BFSL) / < ± 0,5 (LS); (BFSL = Best Fit Straight Line; LS = limit value setting)
Hysteresis deviation	[% of the span]	± 1
Long-term stability	[% of the span]	< ± 0,05; (per 6 months)
Temperature coefficient zero point	[% of the span / 10 K]	0,1; (0...80 °C)
Temperature coefficient span	[% of the span / 10 K]	0,2; (0...80 °C)

Reaction times

Step response time analog output	[ms]	3
----------------------------------	------	---

Operating conditions

Ambient temperature	[°C]	-25...80
Storage temperature	[°C]	-40...100
Protection		IP 68; IP 69K

Tests / approvals

EMC	EN 61000-4-2 ESD	4 kV CD / 8 kV AD
	EN 61000-4-3 HF radiated	30 V/m
	EN 61000-4-4 Burst	2 kV
	EN 61000-4-6 HF conducted	10 V
	radiation of interference	according to the automotive directive 2004/104/EC
	CISPR 25	
	noise immunity	according to the automotive directive 2004/104/EC
	ISO 11452-2 HF radiated	100 V/m
	ISO 7637-2 pulse	severity level 4
	Shock resistance	DIN EN 60068-2-27
DIN EN 61373		Category 3
Vibration resistance	DIN EN 60068-2-6	20 g (10...2000 Hz)
	DIN EN 61373	Category 2
MTTF	[years]	507
Pressure equipment directive		sound engineering practice; can be used for group 2 fluids; group 1 fluids on request
Railway applications	DIN EN 50155 / IEC 60571	Klasse T3, C1, S1

Mechanical data

Weight	[g]	232
Material		stainless steel (1.4404 / 316L); FKM; PA; EPDM/X

PA3060



Pressure transmitter with ceramic measuring cell

PA-600-SBR14-A-ZVG/US/ IV

Materials (wetted parts)	stainless steel (1.4404 / 316L); ceramics; FKM
Min. pressure cycles	100 million
Process connection	threaded connection G 1/4 Internal thread
Restrictor element integrated	yes

Remarks

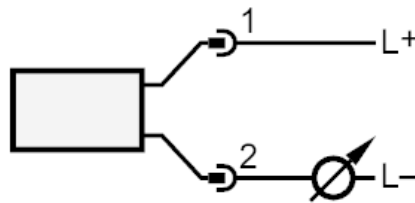
Pack quantity	1 pcs.
---------------	--------

Electrical connection

Connector: 1 x M12; coding: A; Contacts: gold-plated



Connection

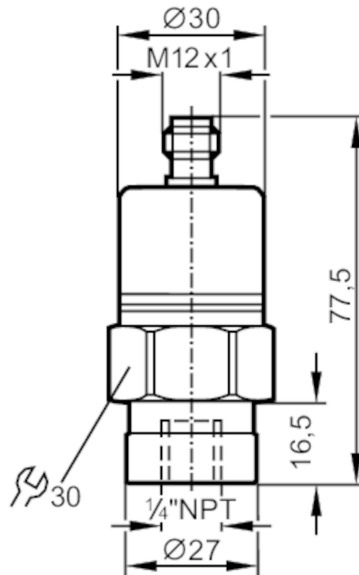


PA3220



Pressure transmitter with ceramic measuring cell

PA-400-SBN14-A-ZVG/US/ IV



Product characteristics

Number of inputs and outputs	Number of analog outputs: 1		
Measuring range	0...400 bar	0...5800 psi	0...40 MPa
Process connection	threaded connection 1/4" NPT Internal thread		

Application

System	gold-plated contacts		
Application	for industrial applications		
Media	liquids and gases		
Conditionally suitable for	use in gases at pressures > 25 bar only on request		
Medium temperature [°C]	-25...90; (on request: -40...90 °C)		
Min. bursting pressure	1000 bar	14500 psi	100 MPa
Pressure rating	600 bar	8700 psi	60 MPa
Type of pressure	relative pressure		

Electrical data

Operating voltage [V]	9.6...32 DC		
Min. insulation resistance [MΩ]	100; (500 V DC)		
Protection class	III		
Reverse polarity protection	yes		

Inputs / outputs

Number of inputs and outputs	Number of analog outputs: 1		
------------------------------	-----------------------------	--	--

Outputs

Total number of outputs	1		
Output signal	analog signal		
Number of analog outputs	1		

PA3220



Pressure transmitter with ceramic measuring cell

PA-400-SBN14-A-ZVG/US/ IV

Analog current output	[mA]	4...20
Max. load	[Ω]	720; (U _b = 24 V; (U _b - 9,6 V) / 20 mA)
Overload protection		yes

Measuring/setting range

Measuring range	0...400 bar	0...5800 psi	0...40 MPa
-----------------	-------------	--------------	------------

Accuracy / deviations

Repeatability	[% of the span]	< 0,1; (with temperature fluctuations < 10 K)
Characteristics deviation	[% of the span]	< ± 0,25 (BFSL) / < ± 0,5 (LS); (BFSL = Best Fit Straight Line; LS = limit value setting)
Long-term stability	[% of the span]	< ± 0,05; (per 6 months)
Temperature coefficient zero point	[% of the span / 10 K]	0,1; (0...80 °C)
Temperature coefficient span	[% of the span / 10 K]	0,2; (0...80 °C)

Reaction times

Step response time analog output	[ms]	3
----------------------------------	------	---

Operating conditions

Ambient temperature	[°C]	-25...80
Storage temperature	[°C]	-40...100
Protection		IP 68; IP 69K

Tests / approvals

EMC	EN 61000-4-2 ESD	4 kV CD / 8 kV AD	
	EN 61000-4-3 HF radiated	30 V/m	
	EN 61000-4-4 Burst	2 kV	
	EN 61000-4-6 HF conducted radiation of interference	10 V according to the automotive directive 2004/104/EC	
	CISPR 25		
	noise immunity	according to the automotive directive 2004/104/EC	
	ISO 11452-2 HF radiated	100 V/m	
	ISO 7637-2 pulse	severity level 4	
	Shock resistance	DIN EN 60068-2-27	50 g (11 ms)
		DIN EN 61373	Category 3
Vibration resistance	DIN EN 60068-2-6	20 g (10...2000 Hz)	
	DIN EN 61373	Category 2	
MTTF	[years]	507	
Pressure equipment directive		sound engineering practice; can be used for group 2 fluids; group 1 fluids on request	
Railway applications	DIN EN 50155 / IEC 60571	Klasse T3, C1, S1	

Mechanical data

Weight	[g]	234.5
Housing		tubular
Dimensions	[mm]	Ø 30 / L = 77.5
Material		stainless steel (1.4404 / 316L); FKM; PA; EPDM/X

PA3220



Pressure transmitter with ceramic measuring cell

PA-400-SBN14-A-ZVG/US/ IV

Materials (wetted parts)	stainless steel (1.4305 / 303); ceramics; FKM
Min. pressure cycles	100 million
Process connection	threaded connection 1/4" NPT Internal thread
Restrictor element integrated	yes

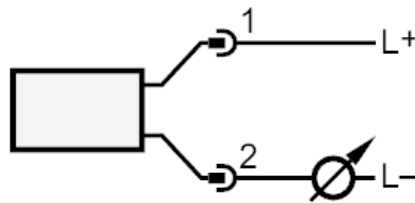
Remarks	
Pack quantity	1 pcs.

Electrical connection

Connector: 1 x M12; coding: A; Contacts: gold-plated



Connection

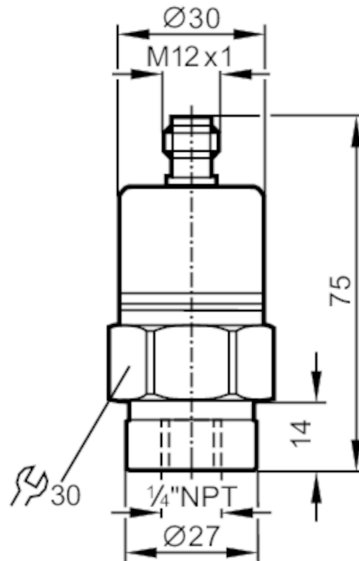


PA3221



Pressure transmitter with ceramic measuring cell

PA-250-SBN14-A-ZVG/US/ IV



Product characteristics

Number of inputs and outputs	Number of analog outputs: 1		
Measuring range	0...250 bar	0...3625 psi	0...25 MPa
Process connection	threaded connection 1/4" NPT Internal thread		

Application

System	gold-plated contacts		
Application	for industrial applications		
Media	liquids and gases		
Conditionally suitable for	use in gases at pressures > 25 bar only on request		
Medium temperature [°C]	-25...90; (on request: -40...90 °C)		
Min. bursting pressure	1000 bar	14500 psi	100 MPa
Pressure rating	600 bar	8700 psi	60 MPa
Type of pressure	relative pressure		

Electrical data

Operating voltage [V]	9.6...32 DC		
Min. insulation resistance [MΩ]	100; (500 V DC)		
Protection class	III		
Reverse polarity protection	yes		

Inputs / outputs

Number of inputs and outputs	Number of analog outputs: 1		
------------------------------	-----------------------------	--	--

Outputs

Total number of outputs	1		
Output signal	analog signal		
Number of analog outputs	1		

PA3221



Pressure transmitter with ceramic measuring cell

PA-250-SBN14-A-ZVG/US/ IV

Analog current output	[mA]	4...20
Max. load	[Ω]	720; (U _b = 24 V; (U _b - 9,6 V) / 20 mA)
Overload protection		yes

Measuring/setting range

Measuring range	0...250 bar	0...3625 psi	0...25 MPa
-----------------	-------------	--------------	------------

Accuracy / deviations

Repeatability	[% of the span]	< 0,1; (with temperature fluctuations < 10 K)
Characteristics deviation	[% of the span]	< ± 0,25 (BFSL) / < ± 0,5 (LS); (BFSL = Best Fit Straight Line; LS = limit value setting)
Long-term stability	[% of the span]	< ± 0,05; (per 6 months)
Temperature coefficient zero point	[% of the span / 10 K]	0,1; (0...80 °C)
Temperature coefficient span	[% of the span / 10 K]	0,2; (0...80 °C)

Reaction times

Step response time analog output	[ms]	3
----------------------------------	------	---

Operating conditions

Ambient temperature	[°C]	-25...80
Storage temperature	[°C]	-40...100
Protection		IP 68; IP 69K

Tests / approvals

EMC	EN 61000-4-2 ESD	4 kV CD / 8 kV AD
	EN 61000-4-3 HF radiated	30 V/m
	EN 61000-4-4 Burst	2 kV
	EN 61000-4-6 HF conducted	10 V
	radiation of interference	according to the automotive directive 2004/104/EC
	CISPR 25	
	noise immunity	according to the automotive directive 2004/104/EC
	ISO 11452-2 HF radiated	100 V/m
	ISO 7637-2 pulse	severity level 4
	Shock resistance	DIN EN 60068-2-27
DIN EN 61373		Category 3
Vibration resistance	DIN EN 60068-2-6	20 g (10...2000 Hz)
	DIN EN 61373	Category 2
MTTF	[years]	507
Pressure equipment directive		sound engineering practice; can be used for group 2 fluids; group 1 fluids on request
Railway applications	DIN EN 50155 / IEC 60571	Klasse T3, C1, S1

Mechanical data

Weight	[g]	226.5
Housing		tubular
Dimensions	[mm]	Ø 30 / L = 75
Material		stainless steel (1.4404 / 316L); FKM; PA; EPDM/X

PA3221



Pressure transmitter with ceramic measuring cell

PA-250-SBN14-A-ZVG/US/ IV

Materials (wetted parts)	stainless steel (1.4305 / 303); ceramics; FKM
Min. pressure cycles	100 million
Process connection	threaded connection 1/4" NPT Internal thread
Restrictor element integrated	no (can be retrofitted)

Remarks

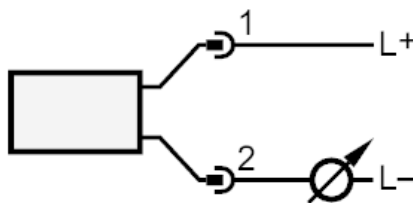
Pack quantity	1 pcs.
---------------	--------

Electrical connection

Connector: 1 x M12; coding: A; Contacts: gold-plated



Connection

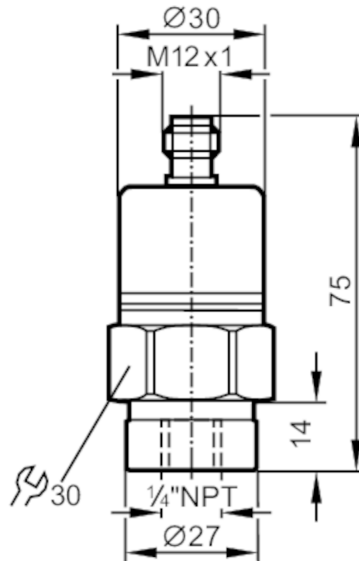


PA3221



Pressure transmitter with ceramic measuring cell

PA-250-SBN14-A-ZVG/US/ IV



Product characteristics

Number of inputs and outputs	Number of analog outputs: 1		
Measuring range	0...250 bar	0...3625 psi	0...25 MPa
Process connection	threaded connection 1/4" NPT Internal thread		

Application

System	gold-plated contacts		
Application	for industrial applications		
Media	liquids and gases		
Conditionally suitable for	use in gases at pressures > 25 bar only on request		
Medium temperature [°C]	-25...90; (on request: -40...90 °C)		
Min. bursting pressure	1000 bar	14500 psi	100 MPa
Pressure rating	600 bar	8700 psi	60 MPa
Type of pressure	relative pressure		

Electrical data

Operating voltage [V]	9.6...32 DC		
Min. insulation resistance [MΩ]	100; (500 V DC)		
Protection class	III		
Reverse polarity protection	yes		

Inputs / outputs

Number of inputs and outputs	Number of analog outputs: 1		
------------------------------	-----------------------------	--	--

Outputs

Total number of outputs	1		
Output signal	analog signal		
Number of analog outputs	1		

PA3221



Pressure transmitter with ceramic measuring cell

PA-250-SBN14-A-ZVG/US/ IV

Analog current output	[mA]	4...20
Max. load	[Ω]	720; (U _b = 24 V; (U _b - 9,6 V) / 20 mA)
Overload protection		yes

Measuring/setting range

Measuring range	0...250 bar	0...3625 psi	0...25 MPa
-----------------	-------------	--------------	------------

Accuracy / deviations

Repeatability	[% of the span]	< 0,1; (with temperature fluctuations < 10 K)
Characteristics deviation	[% of the span]	< ± 0,25 (BFSL) / < ± 0,5 (LS); (BFSL = Best Fit Straight Line; LS = limit value setting)
Long-term stability	[% of the span]	< ± 0,05; (per 6 months)
Temperature coefficient zero point	[% of the span / 10 K]	0,1; (0...80 °C)
Temperature coefficient span	[% of the span / 10 K]	0,2; (0...80 °C)

Reaction times

Step response time analog output	[ms]	3
----------------------------------	------	---

Operating conditions

Ambient temperature	[°C]	-25...80
Storage temperature	[°C]	-40...100
Protection		IP 68; IP 69K

Tests / approvals

EMC	EN 61000-4-2 ESD	4 kV CD / 8 kV AD
	EN 61000-4-3 HF radiated	30 V/m
	EN 61000-4-4 Burst	2 kV
	EN 61000-4-6 HF conducted	10 V
	radiation of interference	according to the automotive directive 2004/104/EC
	CISPR 25	
	noise immunity	according to the automotive directive 2004/104/EC
	ISO 11452-2 HF radiated	100 V/m
	ISO 7637-2 pulse	severity level 4
	Shock resistance	DIN EN 60068-2-27
DIN EN 61373		Category 3
Vibration resistance	DIN EN 60068-2-6	20 g (10...2000 Hz)
	DIN EN 61373	Category 2
MTTF	[years]	507
Pressure equipment directive		sound engineering practice; can be used for group 2 fluids; group 1 fluids on request
Railway applications	DIN EN 50155 / IEC 60571	Klasse T3, C1, S1

Mechanical data

Weight	[g]	226.5
Housing		tubular
Dimensions	[mm]	Ø 30 / L = 75
Material		stainless steel (1.4404 / 316L); FKM; PA; EPDM/X

PA3221



Pressure transmitter with ceramic measuring cell

PA-250-SBN14-A-ZVG/US/ IV

Materials (wetted parts)	stainless steel (1.4305 / 303); ceramics; FKM
Min. pressure cycles	100 million
Process connection	threaded connection 1/4" NPT Internal thread
Restrictor element integrated	no (can be retrofitted)

Remarks

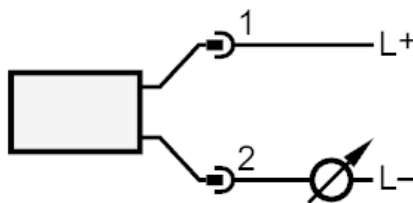
Pack quantity	1 pcs.
---------------	--------

Electrical connection

Connector: 1 x M12; coding: A; Contacts: gold-plated



Connection

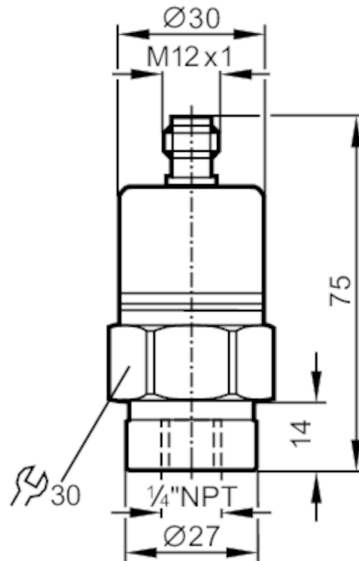


PA3222



Pressure transmitter with ceramic measuring cell

PA-100-SBN14-A-ZVG/US/ IV



Product characteristics

Number of inputs and outputs	Number of analog outputs: 1		
Measuring range	0...100 bar	0...1450 psi	0...10 MPa
Process connection	threaded connection 1/4" NPT Internal thread		

Application

System	gold-plated contacts		
Application	for industrial applications		
Media	liquids and gases		
Conditionally suitable for	use in gases at pressures > 25 bar only on request		
Medium temperature [°C]	-25...90; (on request: -40...90 °C)		
Min. bursting pressure	650 bar	9425 psi	65 MPa
Pressure rating	300 bar	4350 psi	30 MPa
Type of pressure	relative pressure		

Electrical data

Operating voltage [V]	9.6...32 DC		
Min. insulation resistance [MΩ]	100; (500 V DC)		
Protection class	III		
Reverse polarity protection	yes		

Inputs / outputs

Number of inputs and outputs	Number of analog outputs: 1		
------------------------------	-----------------------------	--	--

Outputs

Total number of outputs	1		
Output signal	analog signal		
Number of analog outputs	1		

PA3222



Pressure transmitter with ceramic measuring cell

PA-100-SBN14-A-ZVG/US/ IV

Analog current output	[mA]	4...20
Max. load	[Ω]	720; (U _b = 24 V; (U _b - 9,6 V) / 20 mA)
Overload protection		yes

Measuring/setting range

Measuring range	0...100 bar	0...1450 psi	0...10 MPa
-----------------	-------------	--------------	------------

Accuracy / deviations

Repeatability	[% of the span]	< 0,1; (with temperature fluctuations < 10 K)
Characteristics deviation	[% of the span]	< ± 0,25 (BFSL) / < ± 0,5 (LS); (BFSL = Best Fit Straight Line; LS = limit value setting)
Long-term stability	[% of the span]	< ± 0,05; (per 6 months)
Temperature coefficient zero point	[% of the span / 10 K]	0,1; (0...80 °C)
Temperature coefficient span	[% of the span / 10 K]	0,2; (0...80 °C)

Reaction times

Step response time analog output	[ms]	3
----------------------------------	------	---

Operating conditions

Ambient temperature	[°C]	-25...80
Storage temperature	[°C]	-40...100
Protection		IP 68; IP 69K

Tests / approvals

EMC	EN 61000-4-2 ESD	4 kV CD / 8 kV AD
	EN 61000-4-3 HF radiated	30 V/m
	EN 61000-4-4 Burst	2 kV
	EN 61000-4-6 HF conducted	10 V
	radiation of interference	according to the automotive directive 2004/104/EC
	CISPR 25	
	noise immunity	according to the automotive directive 2004/104/EC
	ISO 11452-2 HF radiated	100 V/m
	ISO 7637-2 pulse	severity level 4
	Shock resistance	DIN EN 60068-2-27
DIN EN 61373		Category 3
Vibration resistance	DIN EN 60068-2-6	20 g (10...2000 Hz)
	DIN EN 61373	Category 2
MTTF	[years]	507
Pressure equipment directive		sound engineering practice; can be used for group 2 fluids; group 1 fluids on request
Railway applications	DIN EN 50155 / IEC 60571	Klasse T3, C1, S1

Mechanical data

Weight	[g]	226.5
Housing		tubular
Dimensions	[mm]	Ø 30 / L = 75
Material		stainless steel (1.4404 / 316L); FKM; PA; EPDM/X

PA3222



Pressure transmitter with ceramic measuring cell

PA-100-SBN14-A-ZVG/US/ IV

Materials (wetted parts)	stainless steel (1.4305 / 303); ceramics; FKM
Min. pressure cycles	100 million
Process connection	threaded connection 1/4" NPT Internal thread
Restrictor element integrated	no (can be retrofitted)

Remarks

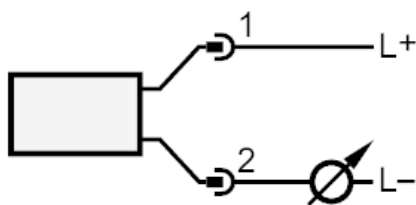
Pack quantity	1 pcs.
---------------	--------

Electrical connection

Connector: 1 x M12; coding: A; Contacts: gold-plated



Connection

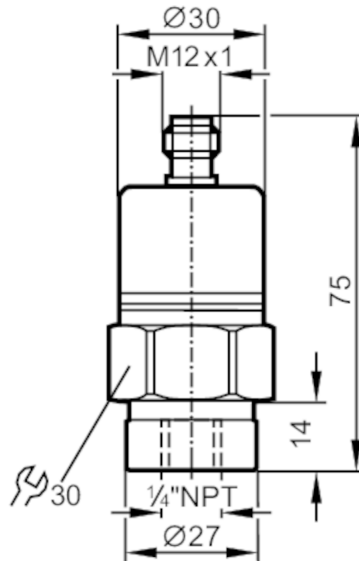


PA3223



Pressure transmitter with ceramic measuring cell

PA-025-RBN14-A-ZVG/US/ IV



Product characteristics

Number of inputs and outputs	Number of analog outputs: 1		
Measuring range	0...25 bar	0...363 psi	0...2.5 MPa
Process connection	threaded connection 1/4" NPT Internal thread		

Application

System	gold-plated contacts		
Application	for industrial applications		
Media	liquids and gases		
Medium temperature [°C]	-25...90; (on request: -40...90 °C)		
Min. bursting pressure	350 bar	5075 psi	35 MPa
Pressure rating	150 bar	2175 psi	15 MPa
Type of pressure	relative pressure		

Electrical data

Operating voltage [V]	9.6...32 DC		
Min. insulation resistance [MΩ]	100; (500 V DC)		
Protection class	III		
Reverse polarity protection	yes		

Inputs / outputs

Number of inputs and outputs	Number of analog outputs: 1		
------------------------------	-----------------------------	--	--

Outputs

Total number of outputs	1		
Output signal	analog signal		
Number of analog outputs	1		
Analog current output [mA]	4...20		

PA3223



Pressure transmitter with ceramic measuring cell

PA-025-RBN14-A-ZVG/US/ IV

Max. load	[Ω]	720; (U _b = 24 V; (U _b - 9,6 V) / 20 mA)		
Overload protection		yes		
Measuring/setting range				
Measuring range		0...25 bar	0...363 psi	0...2.5 MPa
Accuracy / deviations				
Repeatability	[% of the span]	< 0,1; (with temperature fluctuations < 10 K)		
Characteristics deviation	[% of the span]	< ± 0,25 (BFSL) / < ± 0,5 (LS); (BFSL = Best Fit Straight Line; LS = limit value setting)		
Long-term stability	[% of the span]	< ± 0,05; (per 6 months)		
Temperature coefficient zero point	[% of the span / 10 K]	0,1; (0...80 °C)		
Temperature coefficient span	[% of the span / 10 K]	0,2; (0...80 °C)		
Reaction times				
Step response time analog output	[ms]	3		
Operating conditions				
Ambient temperature	[°C]	-25...80		
Storage temperature	[°C]	-40...100		
Protection		IP 65		
Tests / approvals				
EMC	EN 61000-4-2 ESD	4 kV CD / 8 kV AD		
	EN 61000-4-3 HF radiated	30 V/m		
	EN 61000-4-4 Burst	2 kV		
	EN 61000-4-6 HF conducted radiation of interference	10 V according to the automotive directive 2004/104/EC		
	CISPR 25 noise immunity	according to the automotive directive 2004/104/EC		
	ISO 11452-2 HF radiated	100 V/m		
	ISO 7637-2 pulse	severity level 4		
Shock resistance	DIN EN 60068-2-27	50 g (11 ms)		
	DIN EN 61373	Category 3		
Vibration resistance	DIN EN 60068-2-6	20 g (10...2000 Hz)		
	DIN EN 61373	Category 2		
MTTF	[years]	506		
Pressure equipment directive		sound engineering practice; can be used for group 2 fluids; group 1 fluids on request		
Railway applications		DIN EN 50155 / IEC 60571	Klasse T3, C1, S1	
Mechanical data				
Weight	[g]	225.5		
Housing		tubular		
Dimensions	[mm]	Ø 30 / L = 75		
Material		stainless steel (1.4404 / 316L); FKM; PA; EPDM/X		
Materials (wetted parts)		stainless steel (1.4305 / 303); ceramics; FKM		

PA3223



Pressure transmitter with ceramic measuring cell

PA-025-RBN14-A-ZVG/US/ IV

Min. pressure cycles	100 million
Process connection	threaded connection 1/4" NPT Internal thread
Restrictor element integrated	no (can be retrofitted)

Remarks

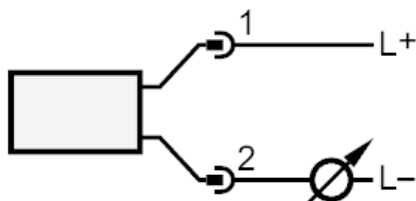
Pack quantity	1 pcs.
---------------	--------

Electrical connection

Connector: 1 x M12; coding: A; Contacts: gold-plated



Connection

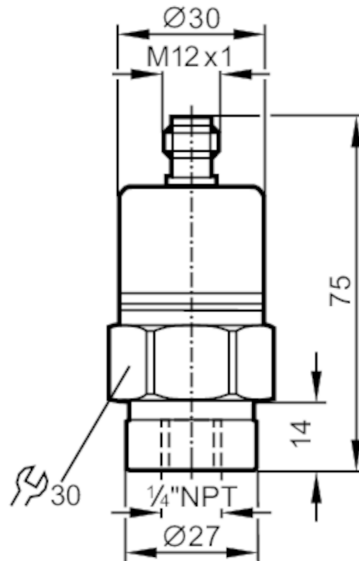


PA3224



Pressure transmitter with ceramic measuring cell

PA-010-RBN14-A-ZVG/US/ IV



Product characteristics

Number of inputs and outputs	Number of analog outputs: 1			
Measuring range	0...10 bar	0...145 psi	0...1000 kPa	0...1 MPa
Process connection	threaded connection 1/4" NPT Internal thread			

Application

System	gold-plated contacts		
Application	for industrial applications		
Media	liquids and gases		
Medium temperature [°C]	-25...90; (on request: -40...90 °C)		
Min. bursting pressure	150 bar	2175 psi	15 MPa
Pressure rating	75 bar	1088 psi	7.5 MPa
Type of pressure	relative pressure		

Electrical data

Operating voltage [V]	9.6...32 DC		
Min. insulation resistance [MΩ]	100; (500 V DC)		
Protection class	III		
Reverse polarity protection	yes		

Inputs / outputs

Number of inputs and outputs	Number of analog outputs: 1		
------------------------------	-----------------------------	--	--

Outputs

Total number of outputs	1		
Output signal	analog signal		
Number of analog outputs	1		
Analog current output [mA]	4...20		

PA3224



Pressure transmitter with ceramic measuring cell

PA-010-RBN14-A-ZVG/US/ IV

Max. load	[Ω]	720; (U _b = 24 V; (U _b - 9,6 V) / 20 mA)			
Overload protection		yes			
Measuring/setting range					
Measuring range		0...10 bar	0...145 psi	0...1000 kPa	0...1 MPa
Accuracy / deviations					
Repeatability	[% of the span]	< 0,1; (with temperature fluctuations < 10 K)			
Characteristics deviation	[% of the span]	< ± 0,25 (BFSL) / < ± 0,5 (LS); (BFSL = Best Fit Straight Line; LS = limit value setting)			
Long-term stability	[% of the span]	< ± 0,05; (per 6 months)			
Temperature coefficient zero point	[% of the span / 10 K]	0,1; (0...80 °C)			
Temperature coefficient span	[% of the span / 10 K]	0,2; (0...80 °C)			
Reaction times					
Step response time analog output	[ms]	3			
Operating conditions					
Ambient temperature	[°C]	-25...80			
Storage temperature	[°C]	-40...100			
Protection		IP 65			
Tests / approvals					
EMC	EN 61000-4-2 ESD	4 kV CD / 8 kV AD			
	EN 61000-4-3 HF radiated	30 V/m			
	EN 61000-4-4 Burst	2 kV			
	EN 61000-4-6 HF conducted radiation of interference	10 V according to the automotive directive 2004/104/EC			
	CISPR 25 noise immunity	according to the automotive directive 2004/104/EC			
	ISO 11452-2 HF radiated	100 V/m			
	ISO 7637-2 pulse	severity level 4			
Shock resistance	DIN EN 60068-2-27	50 g (11 ms)			
	DIN EN 61373	Category 3			
Vibration resistance	DIN EN 60068-2-6	20 g (10...2000 Hz)			
	DIN EN 61373	Category 2			
MTTF	[years]	506			
Pressure equipment directive		sound engineering practice; can be used for group 2 fluids; group 1 fluids on request			
Railway applications		DIN EN 50155 / IEC 60571	Klasse T3, C1, S1		
Mechanical data					
Weight	[g]	224			
Housing		tubular			
Dimensions	[mm]	Ø 30 / L = 75			
Material		stainless steel (1.4404 / 316L); FKM; PA; EPDM/X			
Materials (wetted parts)		stainless steel (1.4305 / 303); ceramics; FKM			

PA3224



Pressure transmitter with ceramic measuring cell

PA-010-RBN14-A-ZVG/US/ IV

Min. pressure cycles	100 million
Process connection	threaded connection 1/4" NPT Internal thread
Restrictor element integrated	no (can be retrofitted)

Remarks

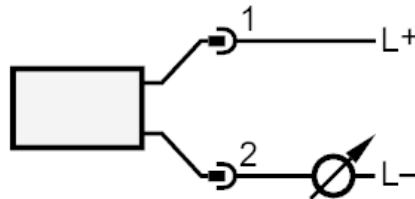
Pack quantity	1 pcs.
---------------	--------

Electrical connection

Connector: 1 x M12; coding: A; Contacts: gold-plated



Connection

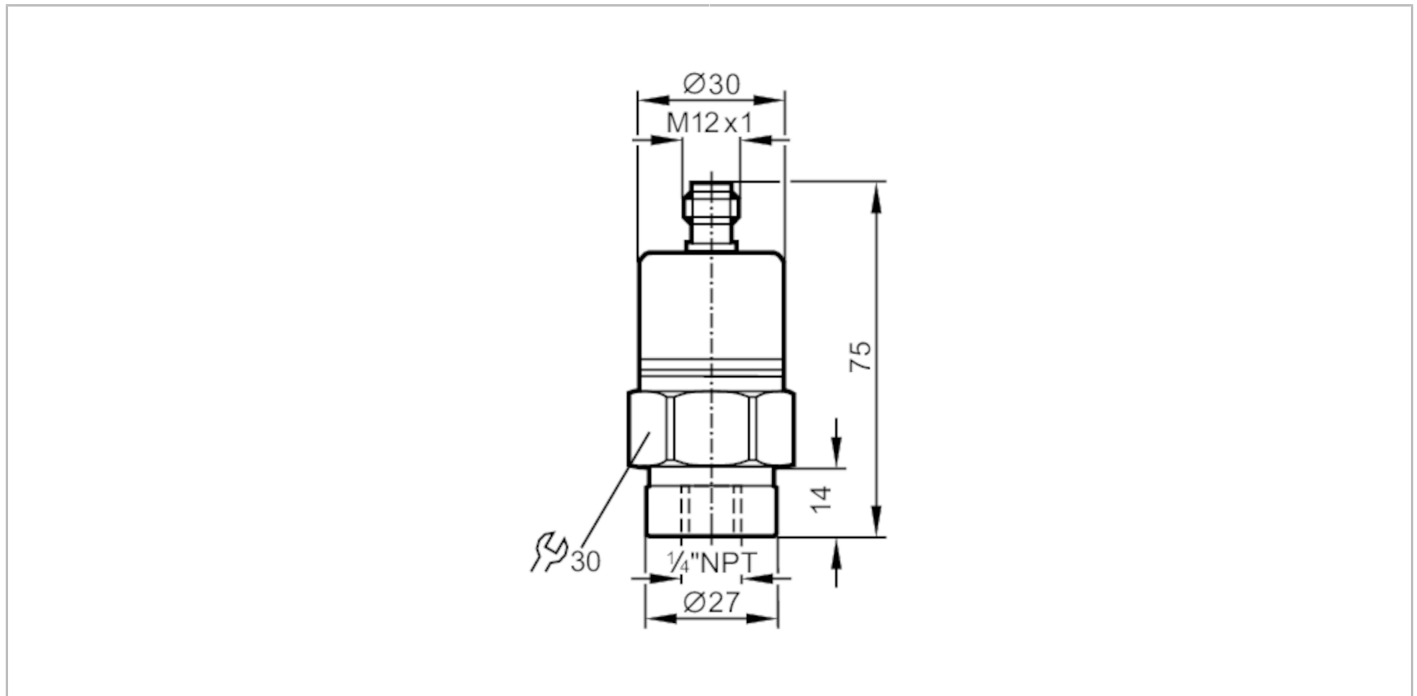


PA3226



Pressure transmitter with ceramic measuring cell

PA-2,5-RBN14-A-ZVG/US/ IV



Product characteristics

Number of inputs and outputs	Number of analog outputs: 1			
Measuring range	0...2.5 bar	0...2500 mbar	0...36 psi	0...250 kPa
Process connection	threaded connection 1/4" NPT Internal thread			

Application

System	gold-plated contacts		
Application	for industrial applications		
Media	liquids and gases		
Medium temperature [°C]	-25...90; (on request: -40...90 °C)		
Min. bursting pressure	50 bar	725 psi	5 MPa
Pressure rating	20 bar	290 psi	2 MPa
Type of pressure	relative pressure		

Electrical data

Operating voltage [V]	9.6...32 DC		
Min. insulation resistance [MΩ]	100; (500 V DC)		
Protection class	III		
Reverse polarity protection	yes		

Inputs / outputs

Number of inputs and outputs	Number of analog outputs: 1		
------------------------------	-----------------------------	--	--

Outputs

Total number of outputs	1		
Output signal	analog signal		
Number of analog outputs	1		
Analog current output [mA]	4...20		

PA3226



Pressure transmitter with ceramic measuring cell

PA-2,5-RBN14-A-ZVG/US/ IV

Max. load	[Ω]	720; (U _b = 24 V; (U _b - 9,6 V) / 20 mA)			
Overload protection		yes			
Measuring/setting range					
Measuring range		0...2.5 bar	0...2500 mbar	0...36 psi	0...250 kPa
Accuracy / deviations					
Repeatability	[% of the span]	< 0,1; (with temperature fluctuations < 10 K)			
Characteristics deviation	[% of the span]	< ± 0,25 (BFSL) / < ± 0,5 (LS); (BFSL = Best Fit Straight Line; LS = limit value setting)			
Long-term stability	[% of the span]	< ± 0,05; (per 6 months)			
Temperature coefficient zero point	[% of the span / 10 K]	0,1; (0...80 °C)			
Temperature coefficient span	[% of the span / 10 K]	0,2; (0...80 °C)			
Reaction times					
Step response time analog output	[ms]	3			
Operating conditions					
Ambient temperature	[°C]	-25...80			
Storage temperature	[°C]	-40...100			
Protection		IP 65			
Tests / approvals					
EMC	EN 61000-4-2 ESD	4 kV CD / 8 kV AD			
	EN 61000-4-3 HF radiated	30 V/m			
	EN 61000-4-4 Burst	2 kV			
	EN 61000-4-6 HF conducted radiation of interference	10 V according to the automotive directive 2004/104/EC			
	CISPR 25 noise immunity	according to the automotive directive 2004/104/EC			
	ISO 11452-2 HF radiated	100 V/m			
	ISO 7637-2 pulse	severity level 4			
	Shock resistance	DIN EN 60068-2-27	50 g (11 ms)		
DIN EN 61373		Category 3			
Vibration resistance	DIN EN 60068-2-6	20 g (10...2000 Hz)			
	DIN EN 61373	Category 2			
MTTF	[years]	506			
Pressure equipment directive		sound engineering practice; can be used for group 2 fluids; group 1 fluids on request			
Railway applications		DIN EN 50155 / IEC 60571	Klasse T3, C1, S1		
Mechanical data					
Weight	[g]	221.5			
Housing		tubular			
Dimensions	[mm]	Ø 30 / L = 75			
Material		stainless steel (1.4404 / 316L); FKM; PA; EPDM/X			
Materials (wetted parts)		stainless steel (1.4305 / 303); ceramics; FKM			

PA3226



Pressure transmitter with ceramic measuring cell

PA-2,5-RBN14-A-ZVG/US/ IV

Min. pressure cycles	100 million
Process connection	threaded connection 1/4" NPT Internal thread
Restrictor element integrated	no (can be retrofitted)

Remarks

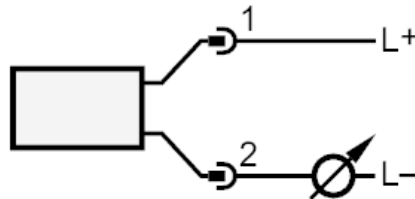
Pack quantity	1 pcs.
---------------	--------

Electrical connection

Connector: 1 x M12; coding: A; Contacts: gold-plated



Connection

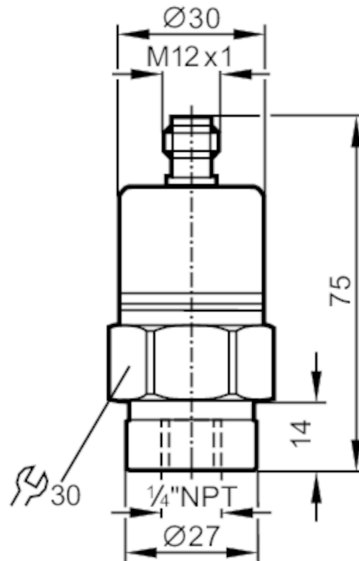


PA3227



Pressure transmitter with ceramic measuring cell

PA-001-RBN14-A-ZVG/US/ IV



Product characteristics

Number of inputs and outputs	Number of analog outputs: 1			
Measuring range	0...1 bar	0...1000 mbar	0...14.5 psi	0...100 kPa
Process connection	threaded connection 1/4" NPT Internal thread			

Application

System	gold-plated contacts		
Application	for industrial applications		
Media	liquids and gases		
Medium temperature [°C]	-25...90; (on request: -40...90 °C)		
Min. bursting pressure	30 bar	435 psi	3 MPa
Pressure rating	10 bar	145 psi	1 MPa
Type of pressure	relative pressure		

Electrical data

Operating voltage [V]	9.6...32 DC		
Min. insulation resistance [MΩ]	100; (500 V DC)		
Protection class	III		
Reverse polarity protection	yes		

Inputs / outputs

Number of inputs and outputs	Number of analog outputs: 1		
------------------------------	-----------------------------	--	--

Outputs

Total number of outputs	1		
Output signal	analog signal		
Number of analog outputs	1		
Analog current output [mA]	4...20		

PA3227



Pressure transmitter with ceramic measuring cell

PA-001-RBN14-A-ZVG/US/ IV

Max. load	[Ω]	720; (U _b = 24 V; (U _b - 9,6 V) / 20 mA)			
Overload protection		yes			
Measuring/setting range					
Measuring range		0...1 bar	0...1000 mbar	0...14.5 psi	0...100 kPa
Accuracy / deviations					
Repeatability	[% of the span]	< 0,1; (with temperature fluctuations < 10 K)			
Characteristics deviation	[% of the span]	< ± 0,25 (BFSL) / < ± 0,5 (LS); (BFSL = Best Fit Straight Line; LS = limit value setting)			
Long-term stability	[% of the span]	< ± 0,05; (per 6 months)			
Temperature coefficient zero point	[% of the span / 10 K]	0,1; (0...80 °C)			
Temperature coefficient span	[% of the span / 10 K]	0,2; (0...80 °C)			
Reaction times					
Step response time analog output	[ms]	3			
Operating conditions					
Ambient temperature	[°C]	-25...80			
Storage temperature	[°C]	-40...100			
Protection		IP 65			
Tests / approvals					
EMC	EN 61000-4-2 ESD	4 kV CD / 8 kV AD			
	EN 61000-4-3 HF radiated	30 V/m			
	EN 61000-4-4 Burst	2 kV			
	EN 61000-4-6 HF conducted radiation of interference	10 V according to the automotive directive 2004/104/EC			
	CISPR 25 noise immunity	according to the automotive directive 2004/104/EC			
	ISO 11452-2 HF radiated	100 V/m			
	ISO 7637-2 pulse	severity level 4			
	Shock resistance	DIN EN 60068-2-27	50 g (11 ms)		
DIN EN 61373		Category 3			
Vibration resistance	DIN EN 60068-2-6	20 g (10...2000 Hz)			
	DIN EN 61373	Category 2			
MTTF	[years]	506			
Pressure equipment directive		sound engineering practice; can be used for group 2 fluids; group 1 fluids on request			
Railway applications		DIN EN 50155 / IEC 60571	Klasse T3, C1, S1		
Mechanical data					
Weight	[g]	225			
Housing		tubular			
Dimensions	[mm]	Ø 30 / L = 75			
Material		stainless steel (1.4404 / 316L); FKM; PA; EPDM/X			
Materials (wetted parts)		stainless steel (1.4305 / 303); ceramics; FKM			

PA3227



Pressure transmitter with ceramic measuring cell

PA-001-RBN14-A-ZVG/US/ IV

Min. pressure cycles	100 million
Process connection	threaded connection 1/4" NPT Internal thread
Restrictor element integrated	no (can be retrofitted)

Remarks

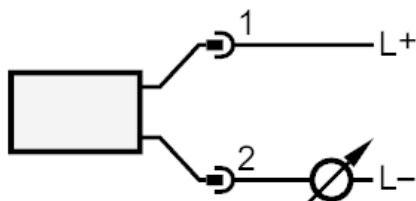
Pack quantity	1 pcs.
---------------	--------

Electrical connection

Connector: 1 x M12; coding: A; Contacts: gold-plated



Connection

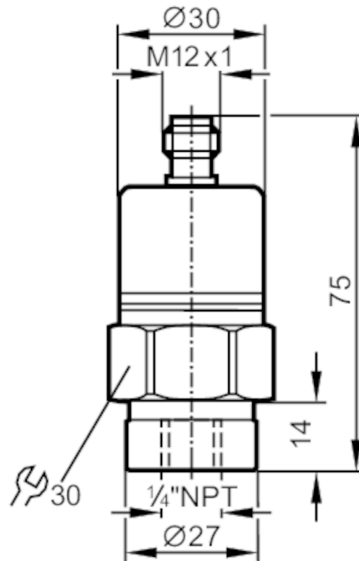


PA3228



Pressure transmitter with ceramic measuring cell

PA-,25BRBN14-A-ZVG/US/ IV



Product characteristics

Number of inputs and outputs	Number of analog outputs: 1			
Measuring range	0...0.25 bar	0...250 mbar	0...100.3 inH2O	0...25 kPa
Process connection	threaded connection 1/4" NPT Internal thread			

Application

System	gold-plated contacts		
Application	for industrial applications		
Media	liquids and gases		
Medium temperature [°C]	-25...90; (on request: -40...90 °C)		
Min. bursting pressure	30000 mbar	12030 inH2O	3000 kPa
Pressure rating	6000 mbar	2400 inH2O	600 kPa
Type of pressure	relative pressure		

Electrical data

Operating voltage [V]	9.6...32 DC		
Min. insulation resistance [MΩ]	100; (500 V DC)		
Protection class	III		
Reverse polarity protection	yes		

Inputs / outputs

Number of inputs and outputs	Number of analog outputs: 1		
------------------------------	-----------------------------	--	--

Outputs

Total number of outputs	1		
Output signal	analog signal		
Number of analog outputs	1		
Analog current output [mA]	4...20		

PA3228



Pressure transmitter with ceramic measuring cell

PA-,25BRBN14-A-ZVG/US/ IV

Max. load	[Ω]	720; (U _b = 24 V; (U _b - 9,6 V) / 20 mA)			
Overload protection		yes			
Measuring/setting range					
Measuring range		0...0.25 bar	0...250 mbar	0...100.3 inH ₂ O	0...25 kPa
Accuracy / deviations					
Repeatability	[% of the span]	< 0,1; (with temperature fluctuations < 10 K)			
Characteristics deviation	[% of the span]	< ± 0,25 (BFSL) / < ± 0,5 (LS); (BFSL = Best Fit Straight Line; LS = limit value setting)			
Long-term stability	[% of the span]	< ± 0,05; (per 6 months)			
Temperature coefficient zero point	[% of the span / 10 K]	0,2; (0...80 °C)			
Temperature coefficient span	[% of the span / 10 K]	0,3; (0...80 °C)			
Reaction times					
Step response time analog output	[ms]	3			
Operating conditions					
Ambient temperature	[°C]	-25...80			
Storage temperature	[°C]	-40...100			
Protection		IP 65			
Tests / approvals					
EMC	EN 61000-4-2 ESD	4 kV CD / 8 kV AD			
	EN 61000-4-3 HF radiated	30 V/m			
	EN 61000-4-4 Burst	2 kV			
	EN 61000-4-6 HF conducted radiation of interference	10 V according to the automotive directive 2004/104/EC			
	CISPR 25 noise immunity	according to the automotive directive 2004/104/EC			
	ISO 11452-2 HF radiated	100 V/m			
	ISO 7637-2 pulse	severity level 4			
	Shock resistance	DIN EN 60068-2-27	50 g (11 ms)		
DIN EN 61373		Category 3			
Vibration resistance	DIN EN 60068-2-6	20 g (10...2000 Hz)			
	DIN EN 61373	Category 2			
MTTF	[years]	514			
Pressure equipment directive		sound engineering practice; can be used for group 2 fluids; group 1 fluids on request			
Railway applications		DIN EN 50155 / IEC 60571	Klasse T3, C1, S1		
Mechanical data					
Weight	[g]	224			
Housing		tubular			
Dimensions	[mm]	Ø 30 / L = 75			
Material		stainless steel (1.4404 / 316L); FKM; PA; EPDM/X			
Materials (wetted parts)		stainless steel (1.4305 / 303); ceramics (99.9 % Al ₂ O ₃); FKM			

PA3228



Pressure transmitter with ceramic measuring cell

PA-,25BRBN14-A-ZVG/US/ IV

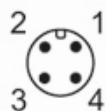
Min. pressure cycles	100 million
Process connection	threaded connection 1/4" NPT Internal thread
Restrictor element integrated	no (can be retrofitted)

Remarks

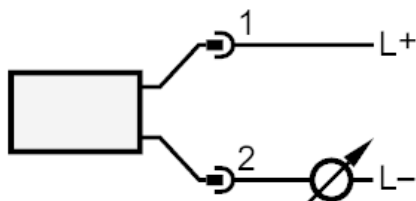
Pack quantity	1 pcs.
---------------	--------

Electrical connection

Connector: 1 x M12; coding: A; Contacts: gold-plated



Connection

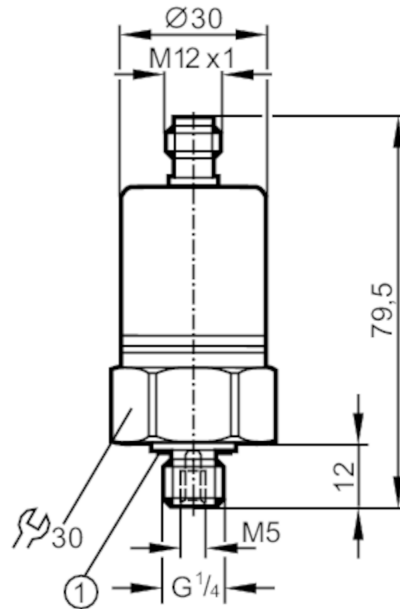


PA3509



Pressure transmitter with ceramic measuring cell

PA-1-1-RBG14-A-ZVG/US/ IV



1 sealing



Product characteristics

Number of inputs and outputs	Number of analog outputs: 1		
Measuring range	-1...1 bar	-1000...1000 mbar	-14.5...14.5 psi
Process connection	threaded connection G 1/4 external thread Internal thread:M5		

Application

System	gold-plated contacts		
Application	for industrial applications		
Media	liquids and gases		
Medium temperature [°C]	-25...90; (on request: -40...90 °C)		
Min. bursting pressure	30 bar	435 psi	3 MPa
Pressure rating	10 bar	145 psi	1 MPa
Type of pressure	relative pressure; vacuum		

Electrical data

Operating voltage [V]	9.6...32 DC		
Min. insulation resistance [MΩ]	100; (500 V DC)		
Protection class	III		
Reverse polarity protection	yes		

Inputs / outputs

Number of inputs and outputs	Number of analog outputs: 1		
------------------------------	-----------------------------	--	--

Outputs

Total number of outputs	1		
Output signal	analog signal		
Number of analog outputs	1		
Analog current output [mA]	4...20		

PA3509



Pressure transmitter with ceramic measuring cell

PA-1-1-RBG14-A-ZVG/US/ IV

Max. load	[Ω]	720; (U _b = 24 V; (U _b - 9,6 V) / 20 mA)
Overload protection		yes

Measuring/setting range

Measuring range	-1...1 bar	-1000...1000 mbar	-14.5...14.5 psi	-100...100 kPa
-----------------	------------	-------------------	------------------	----------------

Accuracy / deviations

Repeatability	[% of the span]	< 0,1; (with temperature fluctuations < 10 K)
Characteristics deviation	[% of the span]	< ± 0,25 (BFSL) / < ± 0,5 (LS); (BFSL = Best Fit Straight Line; LS = limit value setting)
Long-term stability	[% of the span]	< ± 0,05; (per 6 months)
Temperature coefficient zero point	[% of the span / 10 K]	< ± 0,2; (0...80 °C)
Temperature coefficient span	[% of the span / 10 K]	< ± 0,2; (0...80 °C)

Reaction times

Step response time analog output	[ms]	3
----------------------------------	------	---

Operating conditions

Ambient temperature	[°C]	-25...80
Storage temperature	[°C]	-40...100
Protection		IP 65

Tests / approvals

EMC	EN 61000-4-2 ESD	4 kV CD / 8 kV AD
	EN 61000-4-3 HF radiated	30 V/m
	EN 61000-4-4 Burst	2 kV
	EN 61000-4-6 HF conducted	10 V
	radiation of interference	according to the automotive directive 2004/104/EC
	CISPR 25	
	noise immunity	according to the automotive directive 2004/104/EC
	ISO 11452-2 HF radiated	100 V/m
	ISO 7637-2 pulse	severity level 4
	Shock resistance	DIN EN 60068-2-27
DIN EN 61373		Category 3
Vibration resistance	DIN EN 60068-2-6	20 g (10...2000 Hz)
	DIN EN 61373	Category 2
MTTF	[years]	506
Pressure equipment directive		sound engineering practice; can be used for group 2 fluids; group 1 fluids on request
Railway applications	DIN EN 50155 / IEC 60571	Klasse T3, C1, S1

Mechanical data

Weight	[g]	216.5
Housing		tubular
Dimensions	[mm]	Ø 30 / L = 79.5
Material		stainless steel (1.4404 / 316L); FKM; PA; EPDM/X
Materials (wetted parts)		stainless steel (1.4305 / 303); ceramics; sealing: FKM DIN 3869-14

PA3509



Pressure transmitter with ceramic measuring cell

PA-1-1-RBG14-A-ZVG/US/ IV

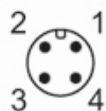
Min. pressure cycles	100 million
Process connection	threaded connection G 1/4 external thread Internal thread:M5
Restrictor element integrated	no (can be retrofitted)

Remarks

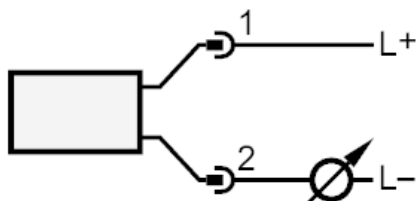
Pack quantity	1 pcs.
---------------	--------

Electrical connection

Connector: 1 x M12; coding: A; Contacts: gold-plated



Connection

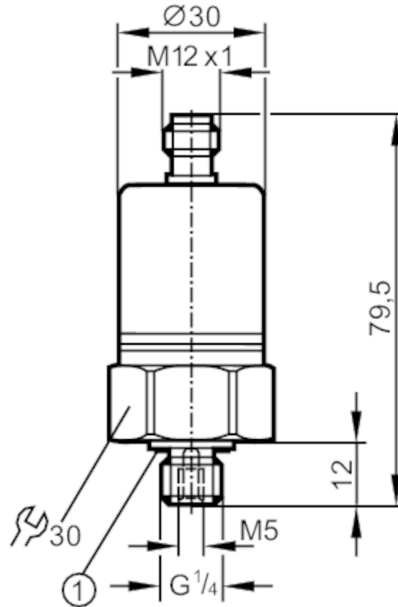


PA3521



Pressure transmitter with ceramic measuring cell

PA-250-SBG14-A-ZVG/US/ IV



1 sealing



Product characteristics

Number of inputs and outputs	Number of analog outputs: 1		
Measuring range	0...250 bar	0...3625 psi	0...25 MPa
Process connection	threaded connection G 1/4 external thread (DIN EN ISO 1179-2); Internal thread:M5		

Application

System	gold-plated contacts		
Application	for industrial applications		
Media	Liquids		
Conditionally suitable for	use in gases at pressures > 25 bar only on request		
Medium temperature [°C]	-25...90; (on request: -40...90 °C)		
Min. bursting pressure	850 bar	12300 psi	85 MPa
Pressure rating	400 bar	5800 psi	40 MPa
Type of pressure	relative pressure		

Electrical data

Operating voltage [V]	9.6...32 DC		
Min. insulation resistance [MΩ]	100; (500 V DC)		
Protection class	III		
Reverse polarity protection	yes		

Inputs / outputs

Number of inputs and outputs	Number of analog outputs: 1		
------------------------------	-----------------------------	--	--

Outputs

Total number of outputs	1		
Output signal	analog signal		
Number of analog outputs	1		

PA3521



Pressure transmitter with ceramic measuring cell

PA-250-SBG14-A-ZVG/US/ IV

Analog current output	[mA]	4...20
Max. load	[Ω]	720; (U _b = 24 V; (U _b - 9,6 V) / 20 mA)
Overload protection		yes

Measuring/setting range

Measuring range	0...250 bar	0...3625 psi	0...25 MPa
-----------------	-------------	--------------	------------

Accuracy / deviations

Repeatability	[% of the span]	< 0,1; (with temperature fluctuations < 10 K)
Characteristics deviation	[% of the span]	< ± 0,25 (BFSL) / < ± 0,5 (LS); (BFSL = Best Fit Straight Line; LS = limit value setting)
Long-term stability	[% of the span]	< ± 0,05; (per 6 months)
Temperature coefficient zero point	[% of the span / 10 K]	< ± 0,1; (0...80 °C)
Temperature coefficient span	[% of the span / 10 K]	< ± 0,2; (0...80 °C)

Reaction times

Step response time analog output	[ms]	3
----------------------------------	------	---

Operating conditions

Ambient temperature	[°C]	-25...80
Storage temperature	[°C]	-40...100
Protection		IP 68; IP 69K

Tests / approvals

EMC	EN 61000-4-2 ESD	4 kV CD / 8 kV AD	
	EN 61000-4-3 HF radiated	30 V/m	
	EN 61000-4-4 Burst	2 kV	
	EN 61000-4-6 HF conducted radiation of interference	10 V according to the automotive directive 2004/104/EC	
	CISPR 25 noise immunity	according to the automotive directive 2004/104/EC	
	ISO 11452-2 HF radiated	100 V/m	
	ISO 7637-2 pulse	severity level 4	
	Shock resistance	DIN EN 60068-2-27	50 g (11 ms)
		DIN EN 61373	Category 3
	Vibration resistance	DIN EN 60068-2-6	20 g (10...2000 Hz)
DIN EN 61373		Category 2	
MTTF	[years]	507	
UL approval	UL approval number	J007	
Pressure equipment directive		sound engineering practice; can be used for group 2 fluids; group 1 fluids on request	
Railway applications	DIN EN 50155 / IEC 60571	Klasse T3, C1, S1	

Mechanical data

Weight	[g]	216.5
Housing		tubular
Dimensions	[mm]	∅ 30 / L = 79.5

PA3521



Pressure transmitter with ceramic measuring cell

PA-250-SBG14-A-ZVG/US/ IV

Material	stainless steel (1.4404 / 316L); FKM; PA; EPDM/X
Materials (wetted parts)	stainless steel (1.4305 / 303); ceramics; sealing: FKM
Min. pressure cycles	100 million
Tightening torque [Nm]	25...35; (recommended tightening torque; Depends on lubrication, seal and pressure rating)
Process connection	threaded connection G 1/4 external thread (DIN EN ISO 1179-2); Internal thread:M5
Restrictor element integrated	no (can be retrofitted)

Remarks

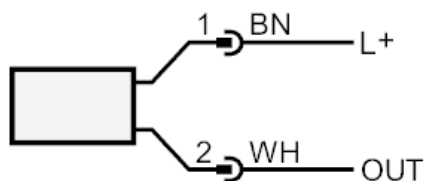
Pack quantity	1 pcs.
---------------	--------

Electrical connection

Connector: 1 x M12; coding: A; Contacts: gold-plated



Connection



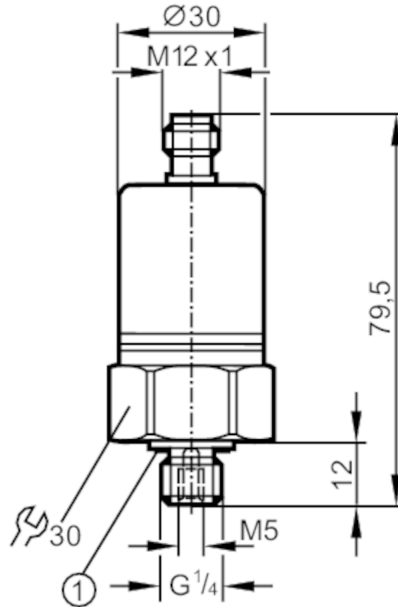
OUT analog output
 Colors to DIN EN 60947-5-2
 Core colors :
BN = brown
WH = white

PA3522



Pressure transmitter with ceramic measuring cell

PA-100-SBG14-A-ZVG/US/ IV



1 sealing



Product characteristics

Number of inputs and outputs	Number of analog outputs: 1		
Measuring range	0...100 bar	0...1450 psi	0...10 MPa
Process connection	threaded connection G 1/4 external thread (DIN EN ISO 1179-2); Internal thread:M5		

Application

System	gold-plated contacts		
Application	for industrial applications		
Media	Liquids		
Conditionally suitable for	use in gases at pressures > 25 bar only on request		
Medium temperature [°C]	-25...90; (on request: -40...90 °C)		
Min. bursting pressure	650 bar	9425 psi	65 MPa
Pressure rating	300 bar	4350 psi	30 MPa
Type of pressure	relative pressure		

Electrical data

Operating voltage [V]	9.6...32 DC		
Min. insulation resistance [MΩ]	100; (500 V DC)		
Protection class	III		
Reverse polarity protection	yes		

Inputs / outputs

Number of inputs and outputs	Number of analog outputs: 1		
------------------------------	-----------------------------	--	--

Outputs

Total number of outputs	1		
Output signal	analog signal		
Number of analog outputs	1		

PA3522



Pressure transmitter with ceramic measuring cell

PA-100-SBG14-A-ZVG/US/ IV

Analog current output	[mA]	4...20
Max. load	[Ω]	720; (U _b = 24 V; (U _b - 9,6 V) / 20 mA)
Overload protection		yes

Measuring/setting range

Measuring range	0...100 bar	0...1450 psi	0...10 MPa
-----------------	-------------	--------------	------------

Accuracy / deviations

Repeatability	[% of the span]	< 0,1; (with temperature fluctuations < 10 K)
Characteristics deviation	[% of the span]	< ± 0,25 (BFSL) / < ± 0,5 (LS); (BFSL = Best Fit Straight Line; LS = limit value setting)
Long-term stability	[% of the span]	< ± 0,05; (per 6 months)
Temperature coefficient zero point	[% of the span / 10 K]	< ± 0,1; (0...80 °C)
Temperature coefficient span	[% of the span / 10 K]	< ± 0,2; (0...80 °C)

Reaction times

Step response time analog output	[ms]	3
----------------------------------	------	---

Operating conditions

Ambient temperature	[°C]	-25...80
Storage temperature	[°C]	-40...100
Protection		IP 68; IP 69K

Tests / approvals

EMC	EN 61000-4-2 ESD	4 kV CD / 8 kV AD
	EN 61000-4-3 HF radiated	30 V/m
	EN 61000-4-4 Burst	2 kV
	EN 61000-4-6 HF conducted	10 V
	radiation of interference	according to the automotive directive 2004/104/EC
	CISPR 25	
	noise immunity	according to the automotive directive 2004/104/EC
	ISO 11452-2 HF radiated	100 V/m
	ISO 7637-2 pulse	severity level 4
	Shock resistance	DIN EN 60068-2-27
DIN EN 61373		Category 3
Vibration resistance	DIN EN 60068-2-6	20 g (10...2000 Hz)
	DIN EN 61373	Category 2
MTTF	[years]	507
Pressure equipment directive		sound engineering practice; can be used for group 2 fluids; group 1 fluids on request
Railway applications	DIN EN 50155 / IEC 60571	Klasse T3, C1, S1

Mechanical data

Weight	[g]	217.5
Housing		tubular
Dimensions	[mm]	Ø 30 / L = 79.5
Material		stainless steel (1.4404 / 316L); FKM; PA; EPDM/X

PA3522



Pressure transmitter with ceramic measuring cell

PA-100-SBG14-A-ZVG/US/ IV

Materials (wetted parts)	stainless steel (1.4305 / 303); ceramics; sealing: FKM
Min. pressure cycles	100 million
Tightening torque [Nm]	25...35; (recommended tightening torque; Depends on lubrication, seal and pressure rating)
Process connection	threaded connection G 1/4 external thread (DIN EN ISO 1179-2); Internal thread:M5
Restrictor element integrated	no (can be retrofitted)

Remarks

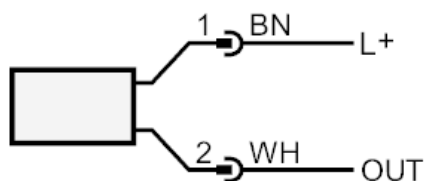
Pack quantity	1 pcs.
---------------	--------

Electrical connection

Connector: 1 x M12; coding: A; Contacts: gold-plated



Connection



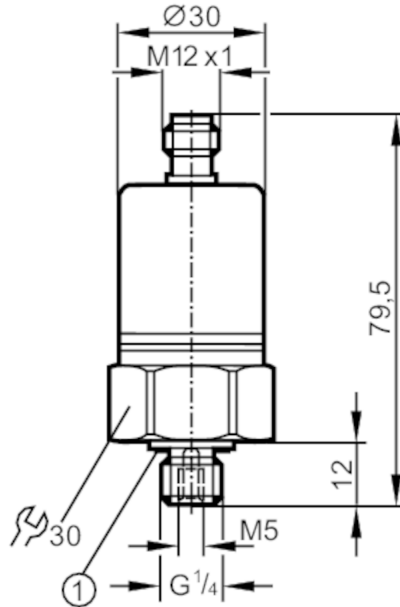
OUT analog output
 Colors to DIN EN 60947-5-2
 Core colors :
BN = brown
WH = white

PA3523



Pressure transmitter with ceramic measuring cell

PA-025-RBG14-A-ZVG/US/ IV



1 sealing



Product characteristics

Number of inputs and outputs	Number of analog outputs: 1		
Measuring range	0...25 bar	0...363 psi	0...2.5 MPa
Process connection	threaded connection G 1/4 external thread Internal thread:M5		

Application

System	gold-plated contacts		
Application	for industrial applications		
Media	liquids and gases		
Medium temperature [°C]	-25...90; (on request: -40...90 °C)		
Min. bursting pressure	350 bar	5075 psi	35 MPa
Pressure rating	150 bar	2175 psi	15 MPa
Type of pressure	relative pressure		

Electrical data

Operating voltage [V]	9.6...32 DC		
Min. insulation resistance [MΩ]	100; (500 V DC)		
Protection class	III		
Reverse polarity protection	yes		

Inputs / outputs

Number of inputs and outputs	Number of analog outputs: 1		
------------------------------	-----------------------------	--	--

Outputs

Total number of outputs	1		
Output signal	analog signal		
Number of analog outputs	1		
Analog current output [mA]	4...20		

PA3523



Pressure transmitter with ceramic measuring cell

PA-025-RBG14-A-ZVG/US/ IV

Max. load	[Ω]	720; (U _b = 24 V; (U _b - 9,6 V) / 20 mA)
Overload protection		yes

Measuring/setting range

Measuring range	0...25 bar	0...363 psi	0...2.5 MPa
-----------------	------------	-------------	-------------

Accuracy / deviations

Repeatability	[% of the span]	< 0,1; (with temperature fluctuations < 10 K)
Characteristics deviation	[% of the span]	< ± 0,25 (BFSL) / < ± 0,5 (LS); (BFSL = Best Fit Straight Line; LS = limit value setting)
Long-term stability	[% of the span]	< ± 0,05; (per 6 months)
Temperature coefficient zero point	[% of the span / 10 K]	< ± 0,1; (0...80 °C)
Temperature coefficient span	[% of the span / 10 K]	< ± 0,2; (0...80 °C)

Reaction times

Step response time analog output	[ms]	3
----------------------------------	------	---

Operating conditions

Ambient temperature	[°C]	-25...80
Storage temperature	[°C]	-40...100
Protection		IP 65

Tests / approvals

EMC	EN 61000-4-2 ESD	4 kV CD / 8 kV AD
	EN 61000-4-3 HF radiated	30 V/m
	EN 61000-4-4 Burst	2 kV
	EN 61000-4-6 HF conducted	10 V
	radiation of interference	according to the automotive directive 2004/104/EC
	CISPR 25	
	noise immunity	according to the automotive directive 2004/104/EC
	ISO 11452-2 HF radiated	100 V/m
Shock resistance	ISO 7637-2 pulse	severity level 4
	DIN EN 60068-2-27	50 g (11 ms)
Vibration resistance	DIN EN 61373	Category 3
	DIN EN 60068-2-6	20 g (10...2000 Hz)
MTTF	[years]	506
Pressure equipment directive		sound engineering practice; can be used for group 2 fluids; group 1 fluids on request
Railway applications	DIN EN 50155 / IEC 60571	Klasse T3, C1, S1

Mechanical data

Weight	[g]	217.5
Housing		tubular
Dimensions	[mm]	Ø 30 / L = 79.5
Material		stainless steel (1.4404 / 316L); FKM; PA; EPDM/X
Materials (wetted parts)		stainless steel (1.4305 / 303); ceramics; sealing: FKM DIN 3869-14

PA3523



Pressure transmitter with ceramic measuring cell

PA-025-RBG14-A-ZVG/US/ IV

Min. pressure cycles	100 million
Process connection	threaded connection G 1/4 external thread Internal thread:M5
Restrictor element integrated	no (can be retrofitted)

Remarks

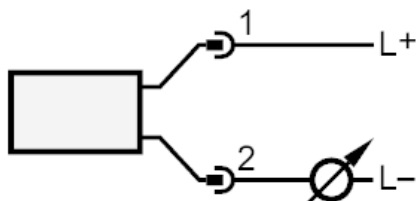
Pack quantity	1 pcs.
---------------	--------

Electrical connection

Connector: 1 x M12; coding: A; Contacts: gold-plated



Connection

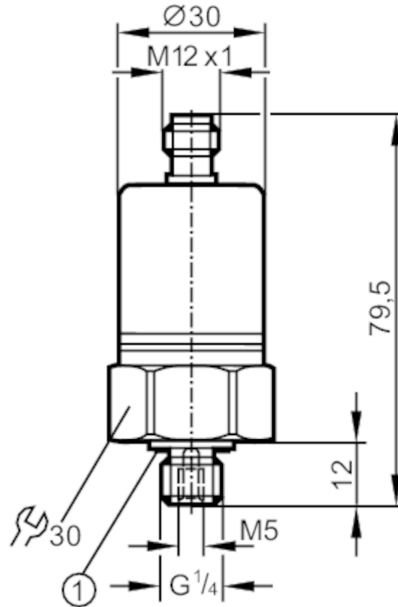


PA3524



Pressure transmitter with ceramic measuring cell

PA-010-RBG14-A-ZVG/US/ IV



1 sealing



Product characteristics

Number of inputs and outputs	Number of analog outputs: 1		
Measuring range	0...10 bar	0...145 psi	0...1000 kPa
Process connection	threaded connection G 1/4 external thread Internal thread:M5		

Application

System	gold-plated contacts		
Application	for industrial applications		
Media	liquids and gases		
Medium temperature [°C]	-25...90; (on request: -40...90 °C)		
Min. bursting pressure	150 bar	2175 psi	15 MPa
Pressure rating	75 bar	1088 psi	7.5 MPa
Type of pressure	relative pressure		

Electrical data

Operating voltage [V]	9.6...32 DC		
Min. insulation resistance [MΩ]	100; (500 V DC)		
Protection class	III		
Reverse polarity protection	yes		

Inputs / outputs

Number of inputs and outputs	Number of analog outputs: 1		
------------------------------	-----------------------------	--	--

Outputs

Total number of outputs	1		
Output signal	analog signal		
Number of analog outputs	1		
Analog current output [mA]	4...20		

PA3524



Pressure transmitter with ceramic measuring cell

PA-010-RBG14-A-ZVG/US/ IV

Max. load	[Ω]	720; (U _b = 24 V; (U _b - 9,6 V) / 20 mA)			
Overload protection		yes			
Measuring/setting range					
Measuring range		0...10 bar	0...145 psi	0...1000 kPa	0...1 MPa
Accuracy / deviations					
Repeatability	[% of the span]	< 0,1; (with temperature fluctuations < 10 K)			
Characteristics deviation	[% of the span]	< ± 0,25 (BFSL) / < ± 0,5 (LS); (BFSL = Best Fit Straight Line; LS = limit value setting)			
Long-term stability	[% of the span]	< ± 0,05; (per 6 months)			
Temperature coefficient zero point	[% of the span / 10 K]	< ± 0,1; (0...80 °C)			
Temperature coefficient span	[% of the span / 10 K]	< ± 0,2; (0...80 °C)			
Reaction times					
Step response time analog output	[ms]	3			
Operating conditions					
Ambient temperature	[°C]	-25...80			
Storage temperature	[°C]	-40...100			
Protection		IP 65			
Tests / approvals					
EMC	EN 61000-4-2 ESD	4 kV CD / 8 kV AD			
	EN 61000-4-3 HF radiated	30 V/m			
	EN 61000-4-4 Burst	2 kV			
	EN 61000-4-6 HF conducted radiation of interference	10 V according to the automotive directive 2004/104/EC			
	CISPR 25 noise immunity	according to the automotive directive 2004/104/EC			
	ISO 11452-2 HF radiated	100 V/m			
	ISO 7637-2 pulse	severity level 4			
	Shock resistance	DIN EN 60068-2-27	50 g (11 ms)		
DIN EN 61373		Category 3			
Vibration resistance	DIN EN 60068-2-6	20 g (10...2000 Hz)			
	DIN EN 61373	Category 2			
MTTF	[years]	506			
Pressure equipment directive		sound engineering practice; can be used for group 2 fluids; group 1 fluids on request			
Railway applications		DIN EN 50155 / IEC 60571	Klasse T3, C1, S1		
Mechanical data					
Weight	[g]	217			
Housing		tubular			
Dimensions	[mm]	Ø 30 / L = 79.5			
Material		stainless steel (1.4404 / 316L); FKM; PA; EPDM/X			
Materials (wetted parts)		stainless steel (1.4305 / 303); ceramics; sealing: FKM DIN 3869-14			

PA3524



Pressure transmitter with ceramic measuring cell

PA-010-RBG14-A-ZVG/US/ IV

Min. pressure cycles	100 million
Process connection	threaded connection G 1/4 external thread Internal thread:M5
Restrictor element integrated	no (can be retrofitted)

Remarks

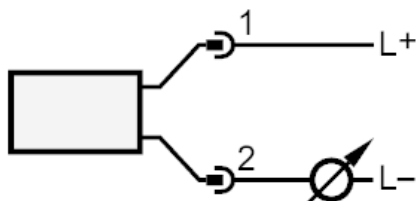
Pack quantity	1 pcs.
---------------	--------

Electrical connection

Connector: 1 x M12; coding: A; Contacts: gold-plated



Connection

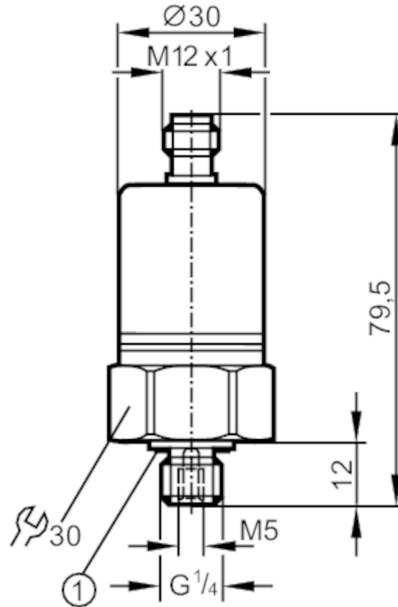


PA3526



Pressure transmitter with ceramic measuring cell

PA-2,5-RBG14-A-ZVG/US/ IV



1 sealing



Product characteristics

Number of inputs and outputs	Number of analog outputs: 1		
Measuring range	0...2.5 bar	0...2500 mbar	0...36 psi
Process connection	threaded connection G 1/4 external thread Internal thread:M5		

Application

System	gold-plated contacts		
Application	for industrial applications		
Media	liquids and gases		
Medium temperature [°C]	-25...90; (on request: -40...90 °C)		
Min. bursting pressure	50 bar	725 psi	5 MPa
Pressure rating	20 bar	290 psi	2 MPa
Type of pressure	relative pressure		

Electrical data

Operating voltage [V]	9.6...32 DC		
Min. insulation resistance [MΩ]	100; (500 V DC)		
Protection class	III		
Reverse polarity protection	yes		

Inputs / outputs

Number of inputs and outputs	Number of analog outputs: 1		
------------------------------	-----------------------------	--	--

Outputs

Total number of outputs	1		
Output signal	analog signal		
Number of analog outputs	1		
Analog current output [mA]	4...20		

PA3526



Pressure transmitter with ceramic measuring cell

PA-2,5-RBG14-A-ZVG/US/ IV

Max. load	[Ω]	720; (U _b = 24 V; (U _b - 9,6 V) / 20 mA)			
Overload protection		yes			
Measuring/setting range					
Measuring range		0...2.5 bar	0...2500 mbar	0...36 psi	0...250 kPa
Accuracy / deviations					
Repeatability	[% of the span]	< 0,1; (with temperature fluctuations < 10 K)			
Characteristics deviation	[% of the span]	< ± 0,25 (BFSL) / < ± 0,5 (LS); (BFSL = Best Fit Straight Line; LS = limit value setting)			
Long-term stability	[% of the span]	< ± 0,05; (per 6 months)			
Temperature coefficient zero point	[% of the span / 10 K]	< ± 0,1; (0...80 °C)			
Temperature coefficient span	[% of the span / 10 K]	< ± 0,2; (0...80 °C)			
Reaction times					
Step response time analog output	[ms]	3			
Operating conditions					
Ambient temperature	[°C]	-25...80			
Storage temperature	[°C]	-40...100			
Protection		IP 65			
Tests / approvals					
EMC	EN 61000-4-2 ESD	4 kV CD / 8 kV AD			
	EN 61000-4-3 HF radiated	30 V/m			
	EN 61000-4-4 Burst	2 kV			
	EN 61000-4-6 HF conducted radiation of interference	10 V according to the automotive directive 2004/104/EC			
	CISPR 25 noise immunity	according to the automotive directive 2004/104/EC			
	ISO 11452-2 HF radiated	100 V/m			
	ISO 7637-2 pulse	severity level 4			
	Shock resistance	DIN EN 60068-2-27	50 g (11 ms)		
DIN EN 61373		Category 3			
Vibration resistance	DIN EN 60068-2-6	20 g (10...2000 Hz)			
	DIN EN 61373	Category 2			
MTTF	[years]	506			
Pressure equipment directive		sound engineering practice; can be used for group 2 fluids; group 1 fluids on request			
Railway applications		DIN EN 50155 / IEC 60571	Klasse T3, C1, S1		
Mechanical data					
Weight	[g]	215.5			
Housing		tubular			
Dimensions	[mm]	Ø 30 / L = 79.5			
Material		stainless steel (1.4404 / 316L); FKM; PA; EPDM/X			
Materials (wetted parts)		stainless steel (1.4305 / 303); ceramics; sealing: FKM DIN 3869-14			

PA3526



Pressure transmitter with ceramic measuring cell

PA-2,5-RBG14-A-ZVG/US/ IV

Min. pressure cycles	100 million
Process connection	threaded connection G 1/4 external thread Internal thread:M5
Restrictor element integrated	no (can be retrofitted)

Remarks

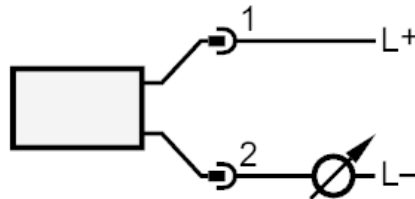
Pack quantity	1 pcs.
---------------	--------

Electrical connection

Connector: 1 x M12; coding: A; Contacts: gold-plated



Connection

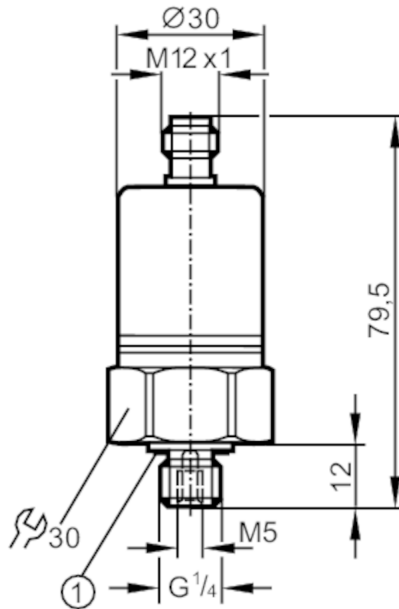


PA3528



Pressure transmitter with ceramic measuring cell

PA-,25BRBG14-A-ZVG/US/ IV



1 sealing



Product characteristics

Number of inputs and outputs	Number of analog outputs: 1		
Measuring range	0...0.25 bar	0...250 mbar	0...100.3 inH2O
Process connection	threaded connection G 1/4 external thread Internal thread:M5		

Application

System	gold-plated contacts		
Application	for industrial applications		
Media	liquids and gases		
Medium temperature [°C]	-25...90; (on request: -40...90 °C)		
Min. bursting pressure	30000 mbar	12030 inH2O	3000 kPa
Pressure rating	6000 mbar	2400 inH2O	600 kPa
Type of pressure	relative pressure		

Electrical data

Operating voltage [V]	9.6...32 DC		
Min. insulation resistance [MΩ]	100; (500 V DC)		
Protection class	III		
Reverse polarity protection	yes		

Inputs / outputs

Number of inputs and outputs	Number of analog outputs: 1		
------------------------------	-----------------------------	--	--

Outputs

Total number of outputs	1		
Output signal	analog signal		
Number of analog outputs	1		
Analog current output [mA]	4...20		

PA3528



Pressure transmitter with ceramic measuring cell

PA-,25BRBG14-A-ZVG/US/ IV

Max. load	[Ω]	720; (U _b = 24 V; (U _b - 9,6 V) / 20 mA)				
Overload protection		yes				
Measuring/setting range						
Measuring range		0...0.25 bar	0...250 mbar	0...100.3 inH ₂ O	0...25 kPa	
Accuracy / deviations						
Repeatability	[% of the span]	< 0,1; (with temperature fluctuations < 10 K)				
Characteristics deviation	[% of the span]	< ± 0,25 (BFSL) / < ± 0,5 (LS); (BFSL = Best Fit Straight Line; LS = limit value setting)				
Long-term stability	[% of the span]	< ± 0,05; (per 6 months)				
Temperature coefficient zero point	[% of the span / 10 K]	< ± 0,2; (0...80 °C)				
Temperature coefficient span	[% of the span / 10 K]	< ± 0,3; (0...80 °C)				
Reaction times						
Step response time analog output	[ms]	3				
Operating conditions						
Ambient temperature	[°C]	-25...80				
Storage temperature	[°C]	-40...100				
Protection		IP 65				
Tests / approvals						
EMC	EN 61000-4-2 ESD	4 kV CD / 8 kV AD				
	EN 61000-4-3 HF radiated	30 V/m				
	EN 61000-4-4 Burst	2 kV				
	EN 61000-4-6 HF conducted radiation of interference	10 V according to the automotive directive 2004/104/EC				
	CISPR 25 noise immunity	according to the automotive directive 2004/104/EC				
	ISO 11452-2 HF radiated	100 V/m				
	ISO 7637-2 pulse	severity level 4				
	Shock resistance	DIN EN 60068-2-27	50 g (11 ms)			
		DIN EN 61373	Category 3			
	Vibration resistance	DIN EN 60068-2-6	20 g (10...2000 Hz)			
DIN EN 61373		Category 2				
MTTF	[years]	514				
Pressure equipment directive		sound engineering practice; can be used for group 2 fluids; group 1 fluids on request				
Railway applications		DIN EN 50155 / IEC 60571	Klasse T3, C1, S1			
Mechanical data						
Weight	[g]	217				
Housing		tubular				
Dimensions	[mm]	Ø 30 / L = 79.5				
Material		stainless steel (1.4404 / 316L); FKM; PA; EPDM/X				
Materials (wetted parts)		stainless steel (1.4305 / 303); ceramics; sealing: FKM DIN 3869-14				

PA3528



Pressure transmitter with ceramic measuring cell

PA-,25BRBG14-A-ZVG/US/ IV

Min. pressure cycles	100 million
Process connection	threaded connection G 1/4 external thread Internal thread:M5
Restrictor element integrated	no (can be retrofitted)

Remarks

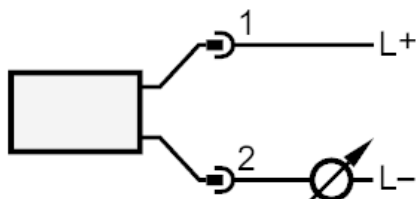
Pack quantity	1 pcs.
---------------	--------

Electrical connection

Connector: 1 x M12; coding: A; Contacts: gold-plated



Connection

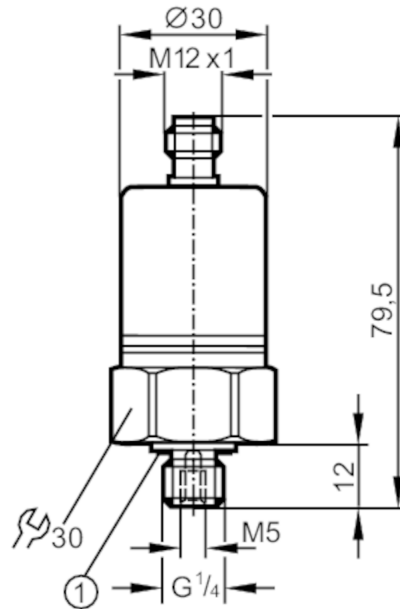


PA3589



Pressure transmitter with ceramic measuring cell

PA-,10BRBG14-A-ZVG/US/ IV



1 sealing



Product characteristics

Number of inputs and outputs	Number of analog outputs: 1		
Measuring range	0...0.1 bar	0...100 mbar	0...40.16 inH2O
Process connection	threaded connection G 1/4 external thread (DIN EN ISO 1179-2); Internal thread:M5		

Application

System	gold-plated contacts		
Application	for industrial applications		
Media	liquids and gases		
Medium temperature [°C]	-25...90; (on request: -40...90 °C)		
Min. bursting pressure	30000 mbar	12030 inH2O	3000 kPa
Pressure rating	4000 mbar	1606 inH2O	400 kPa
Type of pressure	relative pressure		

Electrical data

Operating voltage [V]	9.6...32 DC		
Min. insulation resistance [MΩ]	100; (500 V DC)		
Protection class	III		
Reverse polarity protection	yes		

Inputs / outputs

Number of inputs and outputs	Number of analog outputs: 1		
------------------------------	-----------------------------	--	--

Outputs

Total number of outputs	1		
Output signal	analog signal		
Number of analog outputs	1		
Analog current output [mA]	4...20		

PA3589



Pressure transmitter with ceramic measuring cell

PA-,10BRBG14-A-ZVG/US/ IV

Max. load	[Ω]	720; (U _b = 24 V; (U _b - 9,6 V) / 20 mA)
Overload protection		yes

Measuring/setting range

Measuring range	0...0.1 bar	0...100 mbar	0...40.16 inH ₂ O	0...10 kPa
-----------------	-------------	--------------	------------------------------	------------

Accuracy / deviations

Repeatability	[% of the span]	< 0,2; (with temperature fluctuations < 10 K)
Characteristics deviation	[% of the span]	< ± 0,5 (BFSL) / < ± 1 (LS); (BFSL = Best Fit Straight Line; LS = limit value setting)
Long-term stability	[% of the span]	< ± 0,1; (per 6 months)
Temperature coefficient zero point	[% of the span / 10 K]	< ± 0,5; (0...80 °C)
Temperature coefficient span	[% of the span / 10 K]	< ± 0,5; (0...80 °C)

Reaction times

Step response time analog output	[ms]	3
----------------------------------	------	---

Operating conditions

Ambient temperature	[°C]	-25...80
Storage temperature	[°C]	-40...100
Protection		IP 68; (7 days / 1 m water depth / 0.1 bar)

Tests / approvals

EMC	EN 61000-4-2 ESD	4 kV CD / 8 kV AD
	EN 61000-4-3 HF radiated	30 V/m
	EN 61000-4-4 Burst	2 kV
	EN 61000-4-6 HF conducted	10 V
	radiation of interference	according to the automotive directive 2004/104/EC
	CISPR 25	
	noise immunity	according to the automotive directive 2004/104/EC
	ISO 11452-2 HF radiated	100 V/m
	ISO 7637-2 pulse	severity level 4
	Shock resistance	DIN EN 60068-2-27
DIN EN 61373		Category 3
Vibration resistance	DIN EN 60068-2-6	20 g (10...2000 Hz)
	DIN EN 61373	Category 2
MTTF	[years]	555
Pressure equipment directive		sound engineering practice; can be used for group 2 fluids; group 1 fluids on request
Railway applications	DIN EN 50155 / IEC 60571	Klasse T3, C1, S1

Mechanical data

Weight	[g]	215.5
Housing		tubular
Dimensions	[mm]	Ø 30 / L = 79.5
Material		stainless steel (1.4404 / 316L); FKM; PA; EPDM/X
Materials (wetted parts)		stainless steel (1.4305 / 303); ceramics; sealing: FKM

PA3589



Pressure transmitter with ceramic measuring cell

PA-,10BRBG14-A-ZVG/US/ IV

Min. pressure cycles		100 million
Tightening torque	[Nm]	25...35; (recommended tightening torque; Depends on lubrication, seal and pressure rating)
Process connection		threaded connection G 1/4 external thread (DIN EN ISO 1179-2); Internal thread:M5
Restrictor element integrated		no (can be retrofitted)

Remarks

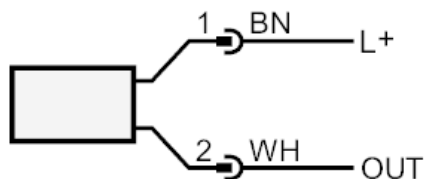
Pack quantity		1 pcs.
---------------	--	--------

Electrical connection

Connector: 1 x M12; coding: A; Contacts: gold-plated



Connection



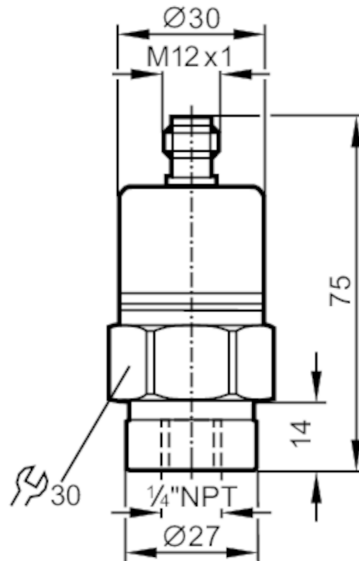
OUT analog output
 Colors to DIN EN 60947-5-2
 Core colors :
BN = brown
WH = white

PA6229



Pressure transmitter with ceramic measuring cell

PA-0-1-RBN14-A-ZVG/US/ IV



Product characteristics

Number of inputs and outputs	Number of analog outputs: 1			
Measuring range	-1...0 bar	-1000...0 mbar	-14.5...0 psi	-100...0 kPa
Process connection	threaded connection 1/4" NPT Internal thread			

Application

System	gold-plated contacts		
Application	for industrial applications		
Media	liquids and gases		
Medium temperature [°C]	-25...90; (on request: -40...90 °C)		
Min. bursting pressure	30 bar	435 psi	3 MPa
Pressure rating	10 bar	145 psi	1 MPa
Type of pressure	relative pressure; vacuum		

Electrical data

Operating voltage [V]	9.6...32 DC		
Min. insulation resistance [MΩ]	100; (500 V DC)		
Protection class	III		
Reverse polarity protection	yes		

Inputs / outputs

Number of inputs and outputs	Number of analog outputs: 1		
------------------------------	-----------------------------	--	--

Outputs

Total number of outputs	1		
Output signal	analog signal		
Number of analog outputs	1		
Analog current output [mA]	20...4		

PA6229



Pressure transmitter with ceramic measuring cell

PA-0-1-RBN14-A-ZVG/US/ IV

Max. load	[Ω]	720; (U _b = 24 V; (U _b - 9,6 V) / 20 mA)			
Overload protection		yes			
Measuring/setting range					
Measuring range		-1...0 bar	-1000...0 mbar	-14.5...0 psi	-100...0 kPa
Accuracy / deviations					
Repeatability	[% of the span]	< 0,1; (with temperature fluctuations < 10 K)			
Characteristics deviation	[% of the span]	< ± 0,25 (BFSL) / < ± 0,5 (LS); (BFSL = Best Fit Straight Line; LS = limit value setting)			
Long-term stability	[% of the span]	< ± 0,05; (per 6 months)			
Temperature coefficient zero point	[% of the span / 10 K]	0,1; (0...80 °C)			
Temperature coefficient span	[% of the span / 10 K]	0,2; (0...80 °C)			
Reaction times					
Step response time analog output	[ms]	3			
Operating conditions					
Ambient temperature	[°C]	-25...80			
Storage temperature	[°C]	-40...100			
Protection		IP 65			
Tests / approvals					
EMC	EN 61000-4-2 ESD	4 kV CD / 8 kV AD			
	EN 61000-4-3 HF radiated	30 V/m			
	EN 61000-4-4 Burst	2 kV			
	EN 61000-4-6 HF conducted	10 V			
	radiation of interference	according to the automotive directive 2004/104/EC / CISPR 25			
	noise immunity	according to the automotive directive 2004/104/EC / ISO 11452-2			
	HF radiated	100 V/m			
	pulse resistance	ISO 7637-2 / severity level 3			
Shock resistance	DIN IEC 68-2-27	50 g (11 ms)			
Vibration resistance	DIN IEC 68-2-6	20 g (10...2000 Hz)			
MTTF	[years]	506			
Pressure equipment directive		sound engineering practice; can be used for group 2 fluids; group 1 fluids on request			
Mechanical data					
Weight	[g]	221.5			
Housing		tubular			
Dimensions	[mm]	Ø 30 / L = 75			
Material		stainless steel (1.4404 / 316L); FKM; PA; EPDM/X			
Materials (wetted parts)		stainless steel (1.4305 / 303); ceramics; FKM			
Min. pressure cycles		100 million			
Process connection		threaded connection 1/4" NPT Internal thread			
Restrictor element integrated		no (can be retrofitted)			

PA6229



Pressure transmitter with ceramic measuring cell

PA-0-1-RBN14-A-ZVG/US/ IV

Remarks

Pack quantity

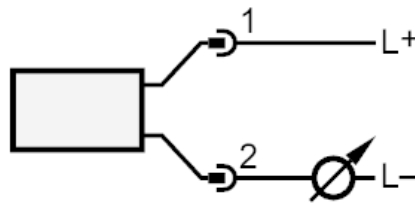
1 pcs.

Electrical connection

Connector: 1 x M12; coding: A; Contacts: gold-plated



Connection

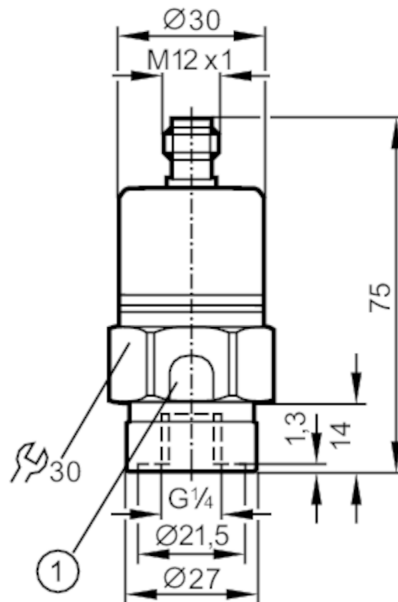


PA9020



Pressure transmitter with ceramic measuring cell

PA-400-SBR14-B-DVG/US/V



- 1 Pressure relief mechanism
No mechanical force must be exerted on the pressure relief mechanism.



Product characteristics

Number of inputs and outputs	Number of analog outputs: 1		
Measuring range	0...400 bar	0...5800 psi	0...40 MPa
Process connection	threaded connection G 1/4 Internal thread		

Application

System	gold-plated contacts		
Application	for industrial applications		
Media	liquids and gases		
Conditionally suitable for	use in gases at pressures > 25 bar only on request		
Medium temperature [°C]	-25...90; (on request: -40...90 °C)		
Min. bursting pressure	1000 bar	14500 psi	100 MPa
Pressure rating	600 bar	8700 psi	60 MPa
Type of pressure	relative pressure		

Electrical data

Operating voltage [V]	16...32 DC		
Current consumption [mA]	< 18		
Min. insulation resistance [MΩ]	100; (500 V DC)		
Protection class	III		
Reverse polarity protection	yes		

Inputs / outputs

Number of inputs and outputs	Number of analog outputs: 1		
------------------------------	-----------------------------	--	--

Outputs

Total number of outputs	1		
-------------------------	---	--	--

PA9020



Pressure transmitter with ceramic measuring cell

PA-400-SBR14-B-DVG/US/V

Output signal	analog signal		
Number of analog outputs	1		
Analog voltage output [V]	0...10		
Min. load resistance [Ω]	2000		
Overload protection	yes		

Measuring/setting range

Measuring range	0...400 bar	0...5800 psi	0...40 MPa
-----------------	-------------	--------------	------------

Accuracy / deviations

Repeatability [% of the span]	< 0,1; (with temperature fluctuations < 10 K)		
Characteristics deviation [% of the span]	< $\pm 0,25$ (BFSL) / < $\pm 0,5$ (LS); (BFSL = Best Fit Straight Line; LS = limit value setting)		
Long-term stability [% of the span]	< $\pm 0,05$; (per 6 months)		
Temperature coefficient zero point [% of the span / 10 K]	0,1; (0...80 °C)		
Temperature coefficient span [% of the span / 10 K]	0,2; (0...80 °C)		

Reaction times

Step response time analog output [ms]	3		
---------------------------------------	---	--	--

Operating conditions

Ambient temperature [°C]	-25...80		
Storage temperature [°C]	-40...100		
Protection	IP 68; IP 69K		

Tests / approvals

EMC	EN 61000-4-2 ESD	4 kV CD / 8 kV AD	
	EN 61000-4-3 HF radiated	30 V/m	
	EN 61000-4-4 Burst	2 kV	
	EN 61000-4-6 HF conducted radiation of interference	10 V according to the automotive directive 2004/104/EC	
	CISPR 25 noise immunity	according to the automotive directive 2004/104/EC	
	ISO 11452-2 HF radiated	100 V/m	
	ISO 7637-2 pulse	severity level 4	
Shock resistance	DIN EN 60068-2-27	50 g (11 ms)	
	DIN EN 61373	Category 3	
Vibration resistance	DIN EN 60068-2-6	20 g (10...2000 Hz)	
	DIN EN 61373	Category 2	
MTTF [years]	478		
Pressure equipment directive	sound engineering practice; can be used for group 2 fluids; group 1 fluids on request		
Railway applications	DIN EN 50155 / IEC 60571	Klasse T3, C1, S1	

Mechanical data

Weight [g]	222		
Housing	tubular		

PA9020



Pressure transmitter with ceramic measuring cell

PA-400-SBR14-B-DVG/US/V

Dimensions	[mm]	Ø 30 / L = 75
Material		stainless steel (1.4404 / 316L); FKM; PA; EPDM/X
Materials (wetted parts)		stainless steel (1.4305 / 303); ceramics; FKM
Min. pressure cycles		100 million
Process connection		threaded connection G 1/4 Internal thread
Restrictor element integrated		yes

Remarks

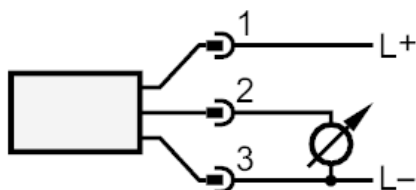
Pack quantity		1 pcs.
---------------	--	--------

Electrical connection

Connector: 1 x M12; coding: A; Contacts: gold-plated



Connection

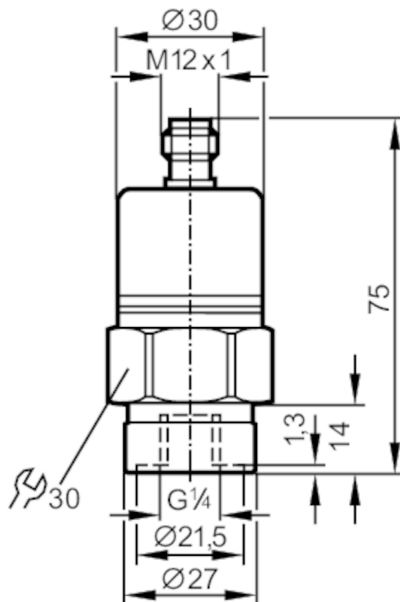


PA9021



Pressure transmitter with ceramic measuring cell

PA-250-SBR14-B-DVG/US/V



Product characteristics			
Number of inputs and outputs	Number of analog outputs: 1		
Measuring range	0...250 bar	0...3625 psi	0...25 MPa
Process connection	threaded connection G 1/4 Internal thread		
Application			
System	gold-plated contacts		
Application	for industrial applications		
Media	liquids and gases		
Conditionally suitable for	use in gases at pressures > 25 bar only on request		
Medium temperature [°C]	-25...90; (on request: -40...90 °C)		
Min. bursting pressure	850 bar	12300 psi	85 MPa
Pressure rating	400 bar	5800 psi	40 MPa
Type of pressure	relative pressure		
Electrical data			
Operating voltage [V]	16...32 DC		
Current consumption [mA]	< 18		
Min. insulation resistance [MΩ]	100; (500 V DC)		
Protection class	III		
Reverse polarity protection	yes		
Inputs / outputs			
Number of inputs and outputs	Number of analog outputs: 1		
Outputs			
Total number of outputs	1		
Output signal	analog signal		

PA9021



Pressure transmitter with ceramic measuring cell

PA-250-SBR14-B-DVG/US/V

Number of analog outputs		1
Analog voltage output	[V]	0...10
Min. load resistance	[Ω]	2000
Overload protection		yes

Measuring/setting range

Measuring range	0...250 bar	0...3625 psi	0...25 MPa
-----------------	-------------	--------------	------------

Accuracy / deviations

Repeatability	[% of the span]	< 0,1; (with temperature fluctuations < 10 K)	
Characteristics deviation	[% of the span]	< ± 0,25 (BFSL) / < ± 0,5 (LS); (BFSL = Best Fit Straight Line; LS = limit value setting)	
Long-term stability	[% of the span]	< ± 0,05; (per 6 months)	
Temperature coefficient zero point	[% of the span / 10 K]	0,1; (0...80 °C)	
Temperature coefficient span	[% of the span / 10 K]	0,2; (0...80 °C)	

Reaction times

Step response time analog output	[ms]	3
----------------------------------	------	---

Operating conditions

Ambient temperature	[°C]	-25...80
Storage temperature	[°C]	-40...100
Protection		IP 68; IP 69K

Tests / approvals

EMC	EN 61000-4-2 ESD	4 kV CD / 8 kV AD
	EN 61000-4-3 HF radiated	30 V/m
	EN 61000-4-4 Burst	2 kV
	EN 61000-4-6 HF conducted	10 V
	radiation of interference	according to the automotive directive 2004/104/EC
	CISPR 25	
	noise immunity	according to the automotive directive 2004/104/EC
	ISO 11452-2 HF radiated	100 V/m
	ISO 7637-2 pulse	severity level 4
	Shock resistance	DIN EN 60068-2-27
DIN EN 61373		Category 3
Vibration resistance	DIN EN 60068-2-6	20 g (10...2000 Hz)
	DIN EN 61373	Category 2
MTTF	[years]	478
UL approval	UL approval number	J008
Pressure equipment directive		sound engineering practice; can be used for group 2 fluids; group 1 fluids on request
Railway applications	DIN EN 50155 / IEC 60571	Klasse T3, C1, S1

Mechanical data

Weight	[g]	224
Housing		tubular

PA9021



Pressure transmitter with ceramic measuring cell

PA-250-SBR14-B-DVG/US/V

Dimensions	[mm]	Ø 30 / L = 75
Material		stainless steel (1.4404 / 316L); FKM; PA; EPDM/X
Materials (wetted parts)		stainless steel (1.4305 / 303); ceramics; FKM
Min. pressure cycles		100 million
Process connection		threaded connection G 1/4 Internal thread
Restrictor element integrated		no (can be retrofitted)

Remarks

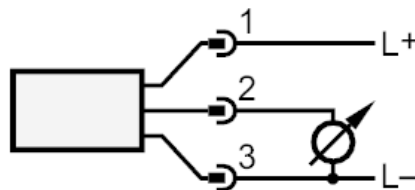
Pack quantity		1 pcs.
---------------	--	--------

Electrical connection

Connector: 1 x M12; coding: A; Contacts: gold-plated



Connection

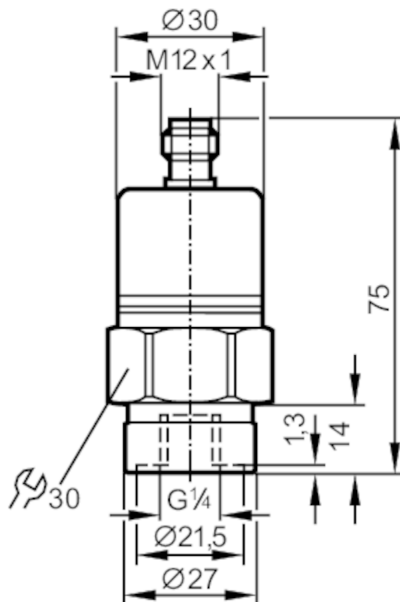


PA9022



Pressure transmitter with ceramic measuring cell

PA-100-SBR14-B-DVG/US/V



Product characteristics

Number of inputs and outputs	Number of analog outputs: 1		
Measuring range	0...100 bar	0...1450 psi	0...10 MPa
Process connection	threaded connection G 1/4 Internal thread		

Application

System	gold-plated contacts		
Application	for industrial applications		
Media	liquids and gases		
Conditionally suitable for	use in gases at pressures > 25 bar only on request		
Medium temperature [°C]	-25...90; (on request: -40...90 °C)		
Min. bursting pressure	650 bar	9425 psi	65 MPa
Pressure rating	300 bar	4350 psi	30 MPa
Type of pressure	relative pressure		

Electrical data

Operating voltage [V]	16...32 DC		
Current consumption [mA]	< 18		
Min. insulation resistance [MΩ]	100; (500 V DC)		
Protection class	III		
Reverse polarity protection	yes		

Inputs / outputs

Number of inputs and outputs	Number of analog outputs: 1		
------------------------------	-----------------------------	--	--

Outputs

Total number of outputs	1		
Output signal	analog signal		

PA9022



Pressure transmitter with ceramic measuring cell

PA-100-SBR14-B-DVG/US/V

Number of analog outputs		1
Analog voltage output [V]		0...10
Min. load resistance [Ω]		2000
Overload protection		yes

Measuring/setting range

Measuring range	0...100 bar	0...1450 psi	0...10 MPa
-----------------	-------------	--------------	------------

Accuracy / deviations

Repeatability [% of the span]	< 0,1; (with temperature fluctuations < 10 K)		
Characteristics deviation [% of the span]	< $\pm 0,25$ (BFSL) / < $\pm 0,5$ (LS); (BFSL = Best Fit Straight Line; LS = limit value setting)		
Long-term stability [% of the span]	< $\pm 0,05$; (per 6 months)		
Temperature coefficient zero point [% of the span / 10 K]	0,1; (0...80 °C)		
Temperature coefficient span [% of the span / 10 K]	0,2; (0...80 °C)		

Reaction times

Step response time analog output [ms]	3
---------------------------------------	---

Operating conditions

Ambient temperature [°C]	-25...80
Storage temperature [°C]	-40...100
Protection	IP 68; IP 69K

Tests / approvals

EMC	EN 61000-4-2 ESD	4 kV CD / 8 kV AD
	EN 61000-4-3 HF radiated	30 V/m
	EN 61000-4-4 Burst	2 kV
	EN 61000-4-6 HF conducted	10 V
	radiation of interference	according to the automotive directive 2004/104/EC
	CISPR 25	
	noise immunity	according to the automotive directive 2004/104/EC
Shock resistance	ISO 11452-2 HF radiated	100 V/m
	ISO 7637-2 pulse	severity level 4
	DIN EN 60068-2-27	50 g (11 ms)
Vibration resistance	DIN EN 61373	Category 3
	DIN EN 60068-2-6	20 g (10...2000 Hz)
MTTF [years]	DIN EN 61373	Category 2
		478
Pressure equipment directive	sound engineering practice; can be used for group 2 fluids; group 1 fluids on request	
Railway applications	DIN EN 50155 / IEC 60571	Klasse T3, C1, S1

Mechanical data

Weight [g]	222.5
Housing	tubular
Dimensions [mm]	$\varnothing 30$ / L = 75

PA9022



Pressure transmitter with ceramic measuring cell

PA-100-SBR14-B-DVG/US/V

Material	stainless steel (1.4404 / 316L); FKM; PA; EPDM/X
Materials (wetted parts)	stainless steel (1.4305 / 303); ceramics; FKM
Min. pressure cycles	100 million
Process connection	threaded connection G 1/4 Internal thread
Restrictor element integrated	no (can be retrofitted)

Remarks

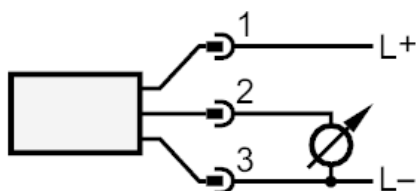
Pack quantity	1 pcs.
---------------	--------

Electrical connection

Connector: 1 x M12; coding: A; Contacts: gold-plated



Connection

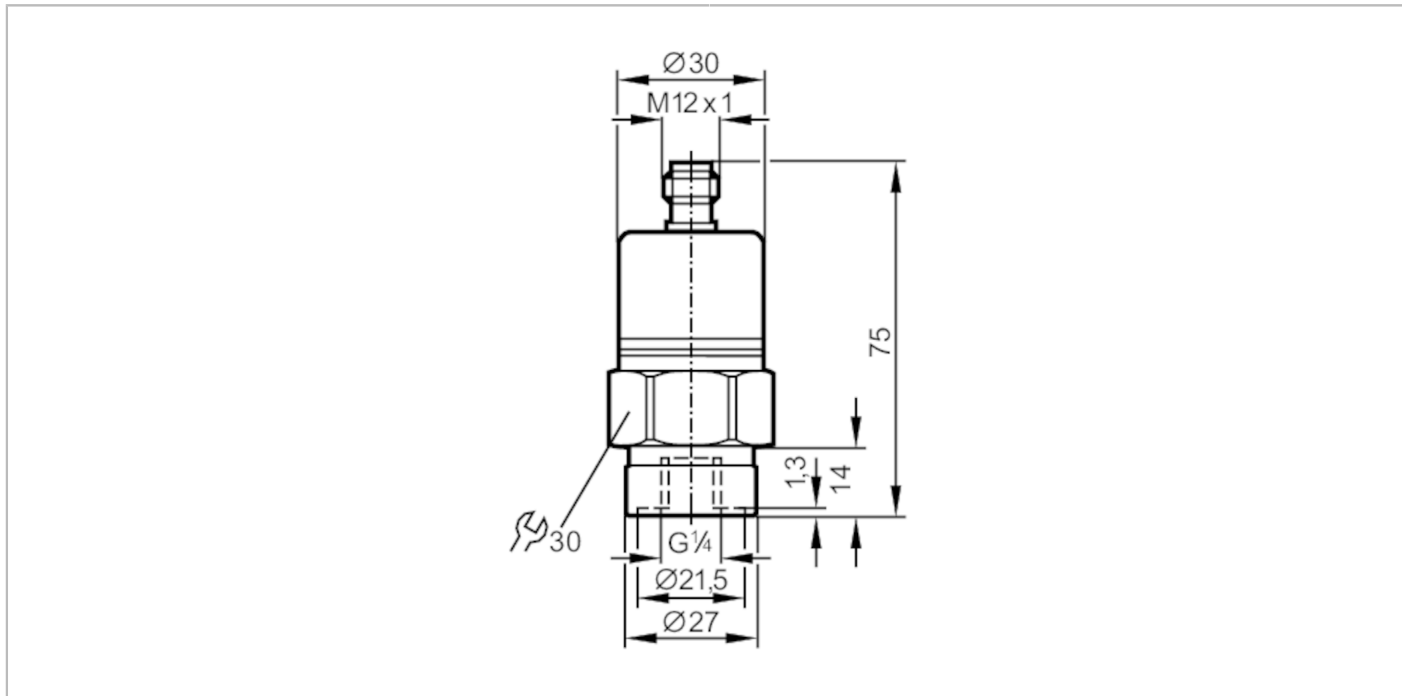


PA9023



Pressure transmitter with ceramic measuring cell

PA-025-RBR14-B-DVG/US/ IV



Product characteristics

Number of inputs and outputs	Number of analog outputs: 1		
Measuring range	0...25 bar	0...363 psi	0...2.5 MPa
Process connection	threaded connection G 1/4 Internal thread		

Application

System	gold-plated contacts		
Application	for industrial applications		
Media	liquids and gases		
Medium temperature [°C]	-25...90; (on request: -40...90 °C)		
Min. bursting pressure	350 bar	5075 psi	35 MPa
Pressure rating	150 bar	2175 psi	15 MPa
Type of pressure	relative pressure		

Electrical data

Operating voltage [V]	16...32 DC		
Current consumption [mA]	< 18		
Min. insulation resistance [MΩ]	100; (500 V DC)		
Protection class	III		
Reverse polarity protection	yes		

Inputs / outputs

Number of inputs and outputs	Number of analog outputs: 1		
------------------------------	-----------------------------	--	--

Outputs

Total number of outputs	1		
Output signal	analog signal		
Number of analog outputs	1		

PA9023



Pressure transmitter with ceramic measuring cell

PA-025-RBR14-B-DVG/US/ IV

Analog voltage output	[V]	0...10
Min. load resistance	[Ω]	2000
Overload protection		yes

Measuring/setting range

Measuring range	0...25 bar	0...363 psi	0...2.5 MPa
-----------------	------------	-------------	-------------

Accuracy / deviations

Repeatability	[% of the span]	< 0,1; (with temperature fluctuations < 10 K)
Characteristics deviation	[% of the span]	< ± 0,25 (BFSL) / < ± 0,5 (LS); (BFSL = Best Fit Straight Line; LS = limit value setting)
Long-term stability	[% of the span]	< ± 0,05; (per 6 months)
Temperature coefficient zero point	[% of the span / 10 K]	0,1; (0...80 °C)
Temperature coefficient span	[% of the span / 10 K]	0,2; (0...80 °C)

Reaction times

Step response time analog output	[ms]	3
----------------------------------	------	---

Operating conditions

Ambient temperature	[°C]	-25...80
Storage temperature	[°C]	-40...100
Protection		IP 65

Tests / approvals

EMC	EN 61000-4-2 ESD	4 kV CD / 8 kV AD	
	EN 61000-4-3 HF radiated	30 V/m	
	EN 61000-4-4 Burst	2 kV	
	EN 61000-4-6 HF conducted radiation of interference	10 V according to the automotive directive 2004/104/EC	
	CISPR 25		
	noise immunity	according to the automotive directive 2004/104/EC	
	ISO 11452-2 HF radiated	100 V/m	
	ISO 7637-2 pulse	severity level 4	
	Shock resistance	DIN EN 60068-2-27	50 g (11 ms)
		DIN EN 61373	Category 3
Vibration resistance	DIN EN 60068-2-6	20 g (10...2000 Hz)	
	DIN EN 61373	Category 2	
MTTF	[years]	478	
Pressure equipment directive		sound engineering practice; can be used for group 2 fluids; group 1 fluids on request	
Railway applications	DIN EN 50155 / IEC 60571	Klasse T3, C1, S1	

Mechanical data

Weight	[g]	222.5
Housing		tubular
Dimensions	[mm]	Ø 30 / L = 75
Material		stainless steel (1.4404 / 316L); FKM; PA; EPDM/X

PA9023



Pressure transmitter with ceramic measuring cell

PA-025-RBR14-B-DVG/US/ IV

Materials (wetted parts)	stainless steel (1.4305 / 303); ceramics; FKM
Min. pressure cycles	100 million
Process connection	threaded connection G 1/4 Internal thread
Restrictor element integrated	no (can be retrofitted)

Remarks

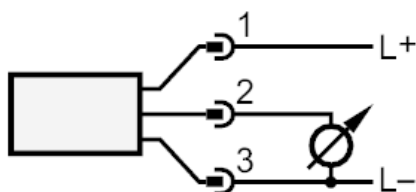
Pack quantity	1 pcs.
---------------	--------

Electrical connection

Connector: 1 x M12; coding: A; Contacts: gold-plated



Connection

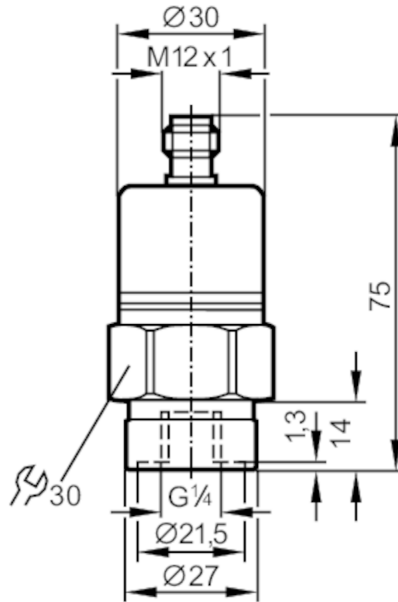


PA9024



Pressure transmitter with ceramic measuring cell

PA-010-RBR14-B-DVG/US/V



Product characteristics

Number of inputs and outputs	Number of analog outputs: 1			
Measuring range	0...10 bar	0...145 psi	0...1000 kPa	0...1 MPa
Process connection	threaded connection G 1/4 Internal thread			

Application

System	gold-plated contacts		
Application	for industrial applications		
Media	liquids and gases		
Medium temperature [°C]	-25...90; (on request: -40...90 °C)		
Min. bursting pressure	150 bar	2175 psi	15 MPa
Pressure rating	75 bar	1088 psi	7.5 MPa
Type of pressure	relative pressure		

Electrical data

Operating voltage [V]	16...32 DC		
Current consumption [mA]	< 18		
Min. insulation resistance [MΩ]	100; (500 V DC)		
Protection class	III		
Reverse polarity protection	yes		

Inputs / outputs

Number of inputs and outputs	Number of analog outputs: 1
------------------------------	-----------------------------

Outputs

Total number of outputs	1
Output signal	analog signal
Number of analog outputs	1

PA9024



Pressure transmitter with ceramic measuring cell

PA-010-RBR14-B-DVG/US/V

Analog voltage output	[V]	0...10
Min. load resistance	[Ω]	2000
Overload protection		yes

Measuring/setting range

Measuring range	0...10 bar	0...145 psi	0...1000 kPa	0...1 MPa
-----------------	------------	-------------	--------------	-----------

Accuracy / deviations

Repeatability	[% of the span]	< 0,1; (with temperature fluctuations < 10 K)
Characteristics deviation	[% of the span]	< ± 0,25 (BFSL) / < ± 0,5 (LS); (BFSL = Best Fit Straight Line; LS = limit value setting)
Long-term stability	[% of the span]	< ± 0,05; (per 6 months)
Temperature coefficient zero point	[% of the span / 10 K]	0,1; (0...80 °C)
Temperature coefficient span	[% of the span / 10 K]	0,2; (0...80 °C)

Reaction times

Step response time analog output	[ms]	3
----------------------------------	------	---

Operating conditions

Ambient temperature	[°C]	-25...80
Storage temperature	[°C]	-40...100
Protection		IP 65

Tests / approvals

EMC	EN 61000-4-2 ESD	4 kV CD / 8 kV AD	
	EN 61000-4-3 HF radiated	30 V/m	
	EN 61000-4-4 Burst	2 kV	
	EN 61000-4-6 HF conducted radiation of interference	10 V according to the automotive directive 2004/104/EC	
	CISPR 25		
	noise immunity	according to the automotive directive 2004/104/EC	
	ISO 11452-2 HF radiated	100 V/m	
	ISO 7637-2 pulse	severity level 4	
	Shock resistance	DIN EN 60068-2-27	50 g (11 ms)
		DIN EN 61373	Category 3
Vibration resistance	DIN EN 60068-2-6	20 g (10...2000 Hz)	
	DIN EN 61373	Category 2	
MTTF	[years]	478	
Pressure equipment directive		sound engineering practice; can be used for group 2 fluids; group 1 fluids on request	
Railway applications	DIN EN 50155 / IEC 60571	Klasse T3, C1, S1	

Mechanical data

Weight	[g]	222
Housing		tubular
Dimensions	[mm]	Ø 30 / L = 75
Material		stainless steel (1.4404 / 316L); FKM; PA; EPDM/X

PA9024



Pressure transmitter with ceramic measuring cell

PA-010-RBR14-B-DVG/US/V

Materials (wetted parts)	stainless steel (1.4305 / 303); ceramics; FKM
Min. pressure cycles	100 million
Process connection	threaded connection G 1/4 Internal thread
Restrictor element integrated	no (can be retrofitted)

Remarks

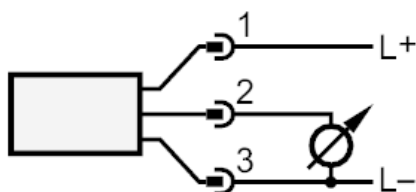
Pack quantity	1 pcs.
---------------	--------

Electrical connection

Connector: 1 x M12; coding: A; Contacts: gold-plated



Connection

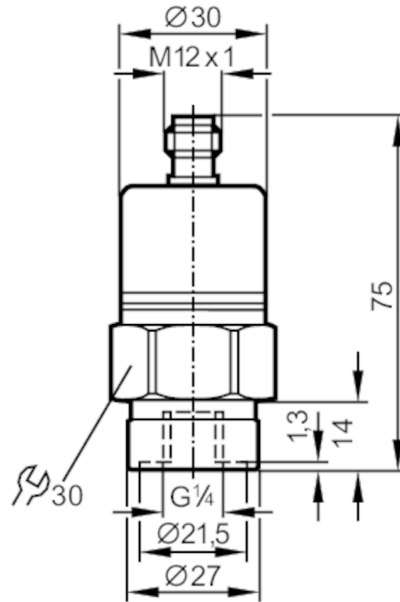


PA9026



Pressure transmitter with ceramic measuring cell

PA-2,5-RBR14-B-DVG/US/V



Product characteristics

Number of inputs and outputs	Number of analog outputs: 1			
Measuring range	0...2.5 bar	0...2500 mbar	0...36 psi	0...250 kPa
Process connection	threaded connection G 1/4 Internal thread			

Application

System	gold-plated contacts		
Application	for industrial applications		
Media	liquids and gases		
Medium temperature [°C]	-25...90; (on request: -40...90 °C)		
Min. bursting pressure	50 bar	725 psi	5 MPa
Pressure rating	20 bar	290 psi	2 MPa
Type of pressure	relative pressure		

Electrical data

Operating voltage [V]	16...32 DC		
Current consumption [mA]	< 18		
Min. insulation resistance [MΩ]	100; (500 V DC)		
Protection class	III		
Reverse polarity protection	yes		

Inputs / outputs

Number of inputs and outputs	Number of analog outputs: 1		
------------------------------	-----------------------------	--	--

Outputs

Total number of outputs	1		
Output signal	analog signal		
Number of analog outputs	1		

PA9026



Pressure transmitter with ceramic measuring cell

PA-2,5-RBR14-B-DVG/US/V

Analog voltage output	[V]	0...10
Min. load resistance	[Ω]	2000
Overload protection		yes

Measuring/setting range

Measuring range	0...2.5 bar	0...2500 mbar	0...36 psi	0...250 kPa
-----------------	-------------	---------------	------------	-------------

Accuracy / deviations

Repeatability	[% of the span]	< 0,1; (with temperature fluctuations < 10 K)
Characteristics deviation	[% of the span]	< ± 0,25 (BFSL) / < ± 0,5 (LS); (BFSL = Best Fit Straight Line; LS = limit value setting)
Long-term stability	[% of the span]	< ± 0,05; (per 6 months)
Temperature coefficient zero point	[% of the span / 10 K]	0,1; (0...80 °C)
Temperature coefficient span	[% of the span / 10 K]	0,2; (0...80 °C)

Reaction times

Step response time analog output	[ms]	3
----------------------------------	------	---

Operating conditions

Ambient temperature	[°C]	-25...80
Storage temperature	[°C]	-40...100
Protection		IP 65

Tests / approvals

EMC	EN 61000-4-2 ESD	4 kV CD / 8 kV AD	
	EN 61000-4-3 HF radiated	30 V/m	
	EN 61000-4-4 Burst	2 kV	
	EN 61000-4-6 HF conducted radiation of interference	10 V according to the automotive directive 2004/104/EC	
	CISPR 25		
	noise immunity	according to the automotive directive 2004/104/EC	
	ISO 11452-2 HF radiated	100 V/m	
	ISO 7637-2 pulse	severity level 4	
	Shock resistance	DIN EN 60068-2-27	50 g (11 ms)
		DIN EN 61373	Category 3
Vibration resistance	DIN EN 60068-2-6	20 g (10...2000 Hz)	
	DIN EN 61373	Category 2	
MTTF	[years]	478	
Pressure equipment directive		sound engineering practice; can be used for group 2 fluids; group 1 fluids on request	
Railway applications	DIN EN 50155 / IEC 60571	Klasse T3, C1, S1	

Mechanical data

Weight	[g]	221.5
Housing		tubular
Dimensions	[mm]	∅ 30 / L = 75
Material		stainless steel (1.4404 / 316L); FKM; PA; EPDM/X

PA9026



Pressure transmitter with ceramic measuring cell

PA-2,5-RBR14-B-DVG/US/V

Materials (wetted parts)	stainless steel (1.4305 / 303); ceramics; FKM
Min. pressure cycles	100 million
Process connection	threaded connection G 1/4 Internal thread
Restrictor element integrated	no (can be retrofitted)

Remarks

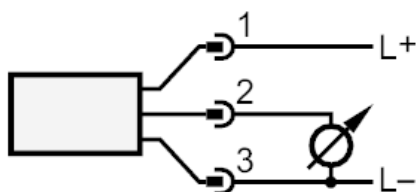
Pack quantity	1 pcs.
---------------	--------

Electrical connection

Connector: 1 x M12; coding: A; Contacts: gold-plated



Connection

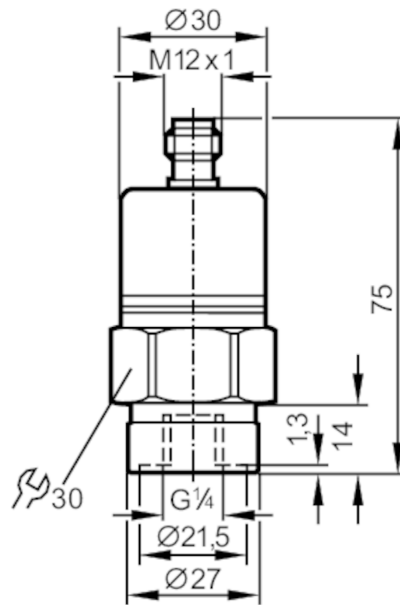


PA9027



Pressure transmitter with ceramic measuring cell

PA-001-RBR14-B-DVG/US/V



Product characteristics

Number of inputs and outputs	Number of analog outputs: 1			
Measuring range	0...1 bar	0...1000 mbar	0...14.5 psi	0...100 kPa
Process connection	threaded connection G 1/4 Internal thread			

Application

System	gold-plated contacts		
Application	for industrial applications		
Media	liquids and gases		
Medium temperature [°C]	-25...90; (on request: -40...90 °C)		
Min. bursting pressure	30 bar	435 psi	3 MPa
Pressure rating	10 bar	145 psi	1 MPa
Type of pressure	relative pressure		

Electrical data

Operating voltage [V]	16...32 DC		
Current consumption [mA]	< 18		
Min. insulation resistance [MΩ]	100; (500 V DC)		
Protection class	III		
Reverse polarity protection	yes		

Inputs / outputs

Number of inputs and outputs	Number of analog outputs: 1		
------------------------------	-----------------------------	--	--

Outputs

Total number of outputs	1		
Output signal	analog signal		
Number of analog outputs	1		

PA9027



Pressure transmitter with ceramic measuring cell

PA-001-RBR14-B-DVG/US/V

Analog voltage output	[V]	0...10
Min. load resistance	[Ω]	2000
Overload protection		yes

Measuring/setting range

Measuring range	0...1 bar	0...1000 mbar	0...14.5 psi	0...100 kPa
-----------------	-----------	---------------	--------------	-------------

Accuracy / deviations

Repeatability	[% of the span]	< 0,1; (with temperature fluctuations < 10 K)
Characteristics deviation	[% of the span]	< ± 0,25 (BFSL) / < ± 0,5 (LS); (BFSL = Best Fit Straight Line; LS = limit value setting)
Long-term stability	[% of the span]	< ± 0,05; (per 6 months)
Temperature coefficient zero point	[% of the span / 10 K]	0,1; (0...80 °C)
Temperature coefficient span	[% of the span / 10 K]	0,2; (0...80 °C)

Reaction times

Step response time analog output	[ms]	3
----------------------------------	------	---

Operating conditions

Ambient temperature	[°C]	-25...80
Storage temperature	[°C]	-40...100
Protection		IP 65

Tests / approvals

EMC	EN 61000-4-2 ESD	4 kV CD / 8 kV AD
	EN 61000-4-3 HF radiated	30 V/m
	EN 61000-4-4 Burst	2 kV
	EN 61000-4-6 HF conducted radiation of interference	10 V according to the automotive directive 2004/104/EC
	CISPR 25 noise immunity	according to the automotive directive 2004/104/EC
	ISO 11452-2 HF radiated	100 V/m
	ISO 7637-2 pulse	severity level 4
Shock resistance	DIN EN 60068-2-27	50 g (11 ms)
	DIN EN 61373	Category 3
Vibration resistance	DIN EN 60068-2-6	20 g (10...2000 Hz)
	DIN EN 61373	Category 2
MTTF	[years]	478
Pressure equipment directive		sound engineering practice; can be used for group 2 fluids; group 1 fluids on request
Railway applications	DIN EN 50155 / IEC 60571	Klasse T3, C1, S1

Mechanical data

Weight	[g]	222
Housing		tubular
Dimensions	[mm]	Ø 30 / L = 75
Material		stainless steel (1.4404 / 316L); FKM; PA; EPDM/X

PA9027



Pressure transmitter with ceramic measuring cell

PA-001-RBR14-B-DVG/US/V

Materials (wetted parts)	stainless steel (1.4305 / 303); ceramics; FKM
Min. pressure cycles	100 million
Process connection	threaded connection G 1/4 Internal thread
Restrictor element integrated	no (can be retrofitted)

Remarks

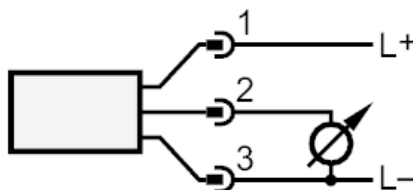
Pack quantity	1 pcs.
---------------	--------

Electrical connection

Connector: 1 x M12; coding: A; Contacts: gold-plated



Connection

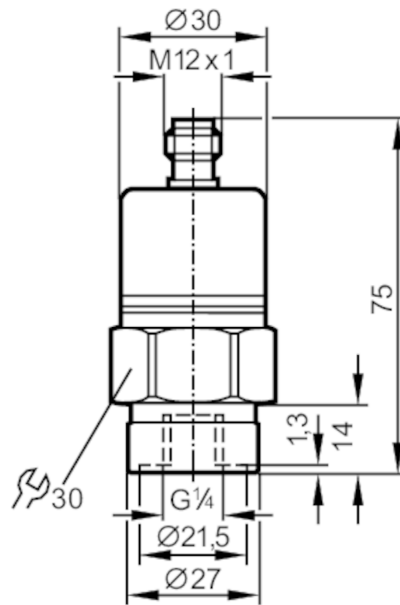


PA9028



Pressure transmitter with ceramic measuring cell

PA-,25BRBR14-B-DVG/US/V



Product characteristics

Number of inputs and outputs	Number of analog outputs: 1			
Measuring range	0...0.25 bar	0...250 mbar	0...100.3 inH2O	0...25 kPa
Process connection	threaded connection G 1/4 Internal thread			

Application

System	gold-plated contacts		
Application	for industrial applications		
Media	liquids and gases		
Medium temperature [°C]	-25...90; (on request: -40...90 °C)		
Min. bursting pressure	30000 mbar	12030 inH2O	3000 kPa
Pressure rating	6000 mbar	2400 inH2O	600 kPa
Type of pressure	relative pressure		

Electrical data

Operating voltage [V]	16...32 DC		
Current consumption [mA]	< 18		
Min. insulation resistance [MΩ]	100; (500 V DC)		
Protection class	III		
Reverse polarity protection	yes		

Inputs / outputs

Number of inputs and outputs	Number of analog outputs: 1		
------------------------------	-----------------------------	--	--

Outputs

Total number of outputs	1		
Output signal	analog signal		
Number of analog outputs	1		

PA9028



Pressure transmitter with ceramic measuring cell

PA-,25BRBR14-B-DVG/US/V

Analog voltage output	[V]	0...10
Min. load resistance	[Ω]	2000
Overload protection		yes

Measuring/setting range

Measuring range	0...0.25 bar	0...250 mbar	0...100.3 inH2O	0...25 kPa
-----------------	--------------	--------------	-----------------	------------

Accuracy / deviations

Repeatability	[% of the span]	< 0,1; (with temperature fluctuations < 10 K)
Characteristics deviation	[% of the span]	< ± 0,25 (BFSL) / < ± 0,5 (LS); (BFSL = Best Fit Straight Line; LS = limit value setting)
Long-term stability	[% of the span]	< ± 0,05; (per 6 months)
Temperature coefficient zero point	[% of the span / 10 K]	0,2; (0...80 °C)
Temperature coefficient span	[% of the span / 10 K]	0,3; (0...80 °C)

Reaction times

Step response time analog output	[ms]	3
----------------------------------	------	---

Operating conditions

Ambient temperature	[°C]	-25...80
Storage temperature	[°C]	-40...100
Protection		IP 65

Tests / approvals

EMC	EN 61000-4-2 ESD	4 kV CD / 8 kV AD	
	EN 61000-4-3 HF radiated	30 V/m	
	EN 61000-4-4 Burst	2 kV	
	EN 61000-4-6 HF conducted radiation of interference	10 V according to the automotive directive 2004/104/EC	
	CISPR 25		
	noise immunity	according to the automotive directive 2004/104/EC	
	ISO 11452-2 HF radiated	100 V/m	
	ISO 7637-2 pulse	severity level 4	
	Shock resistance	DIN EN 60068-2-27	50 g (11 ms)
		DIN EN 61373	Category 3
Vibration resistance	DIN EN 60068-2-6	20 g (10...2000 Hz)	
	DIN EN 61373	Category 2	
MTTF	[years]	485	
Pressure equipment directive		sound engineering practice; can be used for group 2 fluids; group 1 fluids on request	
Railway applications	DIN EN 50155 / IEC 60571	Klasse T3, C1, S1	

Mechanical data

Weight	[g]	222
Housing		tubular
Dimensions	[mm]	Ø 30 / L = 75
Material		stainless steel (1.4404 / 316L); FKM; PA; EPDM/X

PA9028



Pressure transmitter with ceramic measuring cell

PA-,25BRBR14-B-DVG/US/V

Materials (wetted parts)	stainless steel (1.4305 / 303); ceramics; FKM
Min. pressure cycles	100 million
Process connection	threaded connection G 1/4 Internal thread
Restrictor element integrated	no (can be retrofitted)

Remarks

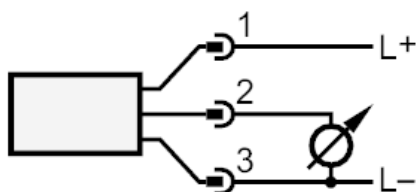
Pack quantity	1 pcs.
---------------	--------

Electrical connection

Connector: 1 x M12; coding: A; Contacts: gold-plated



Connection

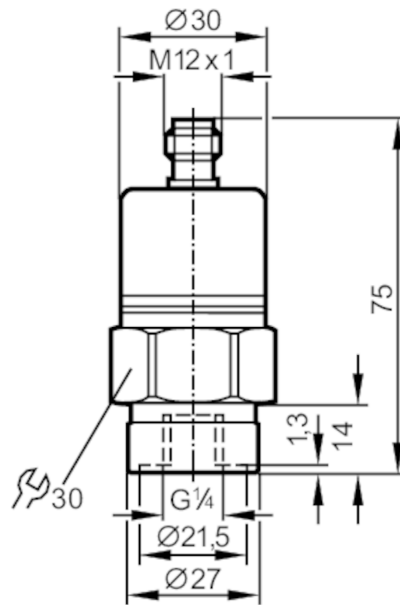


PA9029



Pressure transmitter with ceramic measuring cell

PA-0-1-RBR14-B-DVG/US/ IV



Product characteristics

Number of inputs and outputs	Number of analog outputs: 1			
Measuring range	-1...0 bar	-1000...0 mbar	-14.5...0 psi	-100...0 kPa
Process connection	threaded connection G 1/4 Internal thread			

Application

System	gold-plated contacts		
Application	for industrial applications		
Media	liquids and gases		
Medium temperature [°C]	-25...90; (on request: -40...90 °C)		
Min. bursting pressure	30 bar	435 psi	3 MPa
Pressure rating	10 bar	145 psi	1 MPa
Type of pressure	relative pressure; vacuum		

Electrical data

Operating voltage [V]	16...32 DC		
Current consumption [mA]	< 18		
Min. insulation resistance [MΩ]	100; (500 V DC)		
Protection class	III		
Reverse polarity protection	yes		

Inputs / outputs

Number of inputs and outputs	Number of analog outputs: 1		
------------------------------	-----------------------------	--	--

Outputs

Total number of outputs	1		
Output signal	analog signal		
Number of analog outputs	1		

PA9029



Pressure transmitter with ceramic measuring cell

PA-0-1-RBR14-B-DVG/US/ IV

Analog voltage output	[V]	0...10
Min. load resistance	[Ω]	2000
Overload protection		yes

Measuring/setting range

Measuring range	-1...0 bar	-1000...0 mbar	-14.5...0 psi	-100...0 kPa
-----------------	------------	----------------	---------------	--------------

Accuracy / deviations

Repeatability	[% of the span]	< 0,1; (with temperature fluctuations < 10 K)
Characteristics deviation	[% of the span]	< ± 0,25 (BFSL) / < ± 0,5 (LS); (BFSL = Best Fit Straight Line; LS = limit value setting)
Long-term stability	[% of the span]	< ± 0,05; (per 6 months)
Temperature coefficient zero point	[% of the span / 10 K]	0,1; (0...80 °C)
Temperature coefficient span	[% of the span / 10 K]	0,2; (0...80 °C)

Reaction times

Step response time analog output	[ms]	3
----------------------------------	------	---

Operating conditions

Ambient temperature	[°C]	-25...80
Storage temperature	[°C]	-40...100
Protection		IP 65

Tests / approvals

EMC	EN 61000-4-2 ESD	4 kV CD / 8 kV AD
	EN 61000-4-3 HF radiated	30 V/m
	EN 61000-4-4 Burst	2 kV
	EN 61000-4-6 HF conducted	10 V
	radiation of interference	according to the automotive directive 2004/104/EC
	CISPR 25	
	noise immunity	according to the automotive directive 2004/104/EC
	ISO 11452-2 HF radiated	100 V/m
	ISO 7637-2 pulse	severity level 4
	Shock resistance	DIN EN 60068-2-27
DIN EN 61373		Category 3
Vibration resistance	DIN EN 60068-2-6	20 g (10...2000 Hz)
	DIN EN 61373	Category 2
MTTF	[years]	478
Pressure equipment directive		sound engineering practice; can be used for group 2 fluids; group 1 fluids on request
Railway applications	DIN EN 50155 / IEC 60571	Klasse T3, C1, S1

Mechanical data

Weight	[g]	220.5
Housing		tubular
Dimensions	[mm]	Ø 30 / L = 75
Material		stainless steel (1.4404 / 316L); FKM; PA; EPDM/X

PA9029



Pressure transmitter with ceramic measuring cell

PA-0-1-RBR14-B-DVG/US/ IV

Materials (wetted parts)	stainless steel (1.4305 / 303); ceramics; FKM
Min. pressure cycles	100 million
Process connection	threaded connection G 1/4 Internal thread
Restrictor element integrated	no (can be retrofitted)

Remarks

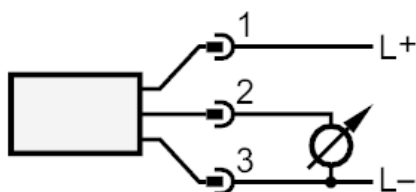
Pack quantity	1 pcs.
---------------	--------

Electrical connection

Connector: 1 x M12; coding: A; Contacts: gold-plated



Connection

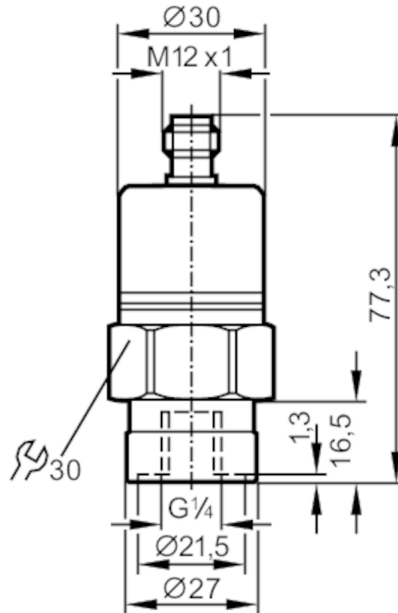


PA9060



Pressure transmitter with ceramic measuring cell

PA-600-SBR14-B-DVG/US/V



Product characteristics

Number of inputs and outputs	Number of analog outputs: 1		
Measuring range	0...600 bar	0...8700 psi	0...60 MPa
Process connection	threaded connection G 1/4 Internal thread		

Application

System	gold-plated contacts		
Application	for industrial applications		
Media	liquids and gases		
Conditionally suitable for	use in gases at pressures > 25 bar only on request		
Medium temperature [°C]	-25...90; (on request: -40...90 °C)		
Min. bursting pressure	1200 bar	17400 psi	120 MPa
Pressure rating	800 bar	11600 psi	80 MPa
Type of pressure	relative pressure		

Electrical data

Operating voltage [V]	16...32 DC		
Current consumption [mA]	< 18		
Min. insulation resistance [MΩ]	100; (500 V DC)		
Protection class	III		
Reverse polarity protection	yes		

Inputs / outputs

Number of inputs and outputs	Number of analog outputs: 1		
------------------------------	-----------------------------	--	--

Outputs

Total number of outputs	1		
Output signal	analog signal		

PA9060



Pressure transmitter with ceramic measuring cell

PA-600-SBR14-B-DVG/US/V

Number of analog outputs	1		
Analog voltage output [V]	0...10		
Min. load resistance [Ω]	2000		
Overload protection	yes		
Measuring/setting range			
Measuring range	0...600 bar	0...8700 psi	0...60 MPa
Accuracy / deviations			
Repeatability [% of the span]	< 0,1; (with temperature fluctuations < 10 K)		
Characteristics deviation [% of the span]	< $\pm 0,25$ (BFSL) / < $\pm 0,5$ (LS); (BFSL = Best Fit Straight Line; LS = limit value setting)		
Hysteresis deviation [% of the span]	± 1		
Long-term stability [% of the span]	< $\pm 0,05$; (per 6 months)		
Temperature coefficient zero point [% of the span / 10 K]	0,1; (0...80 °C)		
Temperature coefficient span [% of the span / 10 K]	0,2; (0...80 °C)		
Reaction times			
Step response time analog output [ms]	3		
Operating conditions			
Ambient temperature [°C]	-25...80		
Storage temperature [°C]	-40...100		
Protection	IP 68; IP 69K		
Tests / approvals			
EMC	EN 61000-4-2 ESD	4 kV CD / 8 kV AD	
	EN 61000-4-3 HF radiated	30 V/m	
	EN 61000-4-4 Burst	2 kV	
	EN 61000-4-6 HF conducted	10 V	
	radiation of interference	according to the automotive directive 2004/104/EC	
	CISPR 25		
	noise immunity	according to the automotive directive 2004/104/EC	
	ISO 11452-2 HF radiated	100 V/m	
	ISO 7637-2 pulse	severity level 4	
	Shock resistance	DIN EN 60068-2-27	50 g (11 ms)
DIN EN 61373		Category 3	
Vibration resistance	DIN EN 60068-2-6	20 g (10...2000 Hz)	
	DIN EN 61373	Category 2	
MTTF [years]	478		
Pressure equipment directive	sound engineering practice; can be used for group 2 fluids; group 1 fluids on request		
Railway applications	DIN EN 50155 / IEC 60571	Klasse T3, C1, S1	
Mechanical data			
Weight [g]	232		

PA9060



Pressure transmitter with ceramic measuring cell

PA-600-SBR14-B-DVG/US/V

Material	stainless steel (1.4404 / 316L); FKM; PA; EPDM/X
Materials (wetted parts)	stainless steel (1.4404 / 316L); ceramics; FKM
Min. pressure cycles	100 million
Process connection	threaded connection G 1/4 Internal thread
Restrictor element integrated	yes

Remarks

Pack quantity	1 pcs.
---------------	--------

Electrical connection

Connector: 1 x M12; coding: A; Contacts: gold-plated



Connection

