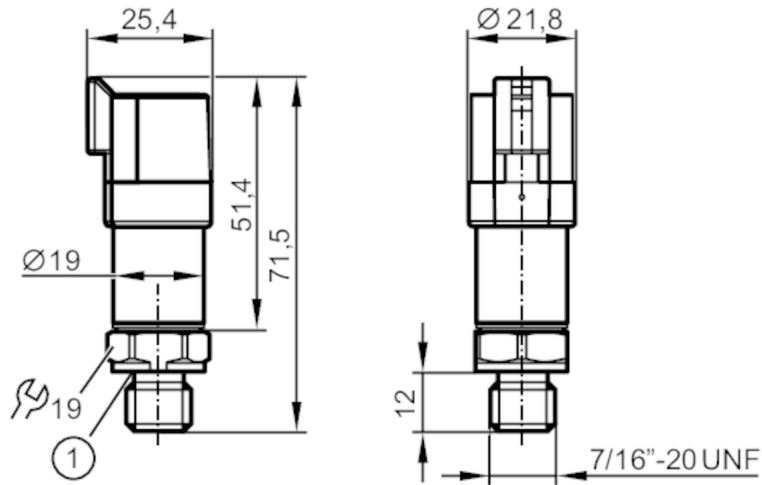


PC1732



Pressure transmitter

PU-300PSEU76-V-DVG/DE



1 sealing



Product characteristics

Number of inputs and outputs	Number of analog outputs: 1	
Measuring range	0...3000 psi	0...20680 kPa
Process connection	threaded connection 7/16" - 20 UNF (SAE) external thread	

Application

Application	for mobile applications	
Media	liquids and gases	
Medium temperature [°C]	-40...125	
Min. bursting pressure	14500 psi	99.98 MPa
Pressure rating	7250 psi	50 MPa
Note on pressure rating	static	
Vacuum resistance	-14.5 psi	-0.1 MPa
Type of pressure	relative pressure	

Electrical data

Operating voltage [V]	8...32 DC	
Current consumption [mA]	< 12	
Min. insulation resistance [MΩ]	100; (500 V DC)	
Protection class	III	
Reverse polarity protection	yes	

Inputs / outputs

Number of inputs and outputs	Number of analog outputs: 1
------------------------------	-----------------------------

Outputs

Total number of outputs	1
Output signal	analog signal
Number of analog outputs	1
Analog voltage output [V]	0.5...4.5
Min. load resistance [Ω]	2000
Short-circuit proof	yes

PC1732



Pressure transmitter

PU-300PSEU76-V-DVG/DE

Overload protection	yes	
Measuring/setting range		
Measuring range	0...3000 psi	0...20680 kPa
Accuracy / deviations		
Repeatability [% of the span]	< ± 0,05; (with temperature fluctuations < 10 K)	
Characteristics deviation [% of the span]	< ± 0,8; (incl. drift when overtightened, zero point and span error, non-linearity, hysteresis)	
Linearity deviation [% of the span]	< ± 0,25 (BFSL) / < ± 0,5 (LS)	
Hysteresis deviation [% of the span]	< ± 0,2	
Long-term stability [% of the span]	< ± 0,1; (per 6 months)	
Temperature coefficient zero point [% of the span / 10 K]	< ± 0,1 (0...80 °C); < ± 0,2 (-40...0 °C / 80...125 °C)	
Temperature coefficient span [% of the span / 10 K]	< ± 0,1 (0...80 °C); < ± 0,2 (-40...0 °C / 80...125 °C)	
Reaction times		
Step response time analog output [ms]	2	
Operating conditions		
Ambient temperature [°C]	-40...100	
Storage temperature [°C]	-40...100	
Protection	IP 67; IP 69K	
Tests / approvals		
EMC	compliant with UN ECE R10, rev. 5	
	ISO 11452-2	100 V/m
	DIN EN 61326-1	
Shock resistance	DIN EN 60068-2-27	500 g (1 ms)
Vibration resistance	DIN EN 60068-2-6	20 g (10...2000 Hz)
MTTF [years]	658	
Pressure equipment directive	sound engineering practice; can be used for group 2 fluids; group 1 fluids on request	
Mechanical data		
Weight [g]	55.5	
Housing	tubular	
Dimensions [mm]	Ø 19 / L = 71.5	
Material	stainless steel (630/1.4542/17-4 PH); stainless steel (1.4404 / 316L); PPS	
Materials (wetted parts)	stainless steel (630/1.4542/17-4 PH)	
Min. pressure cycles	60 million; (at 1.2 times nominal pressure)	
Tightening torque [Nm]	25...35; (recommended tightening torque; Depends on lubrication, seal and pressure rating)	
Process connection	threaded connection 7/16" - 20 UNF (SAE) external thread	
Process connection sealing	FKM	
Restrictor element integrated	yes	

PC1732



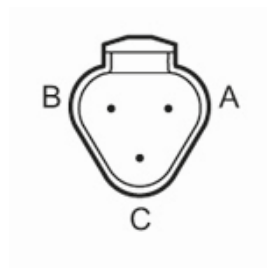
Pressure transmitter

PU-300PSEU76-V-DVG/DE

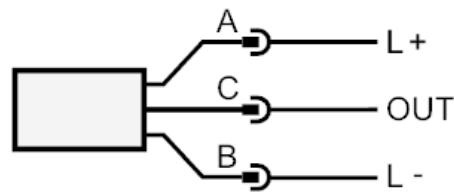
Remarks	
Remarks	BFSL = Best Fit Straight Line LS = limit value setting
Pack quantity	1 pcs.

Electrical connection

Connector: 1 x DEUTSCH connector (DT04-3P); Maximum cable length: 30 m



Connection



OUT analog output