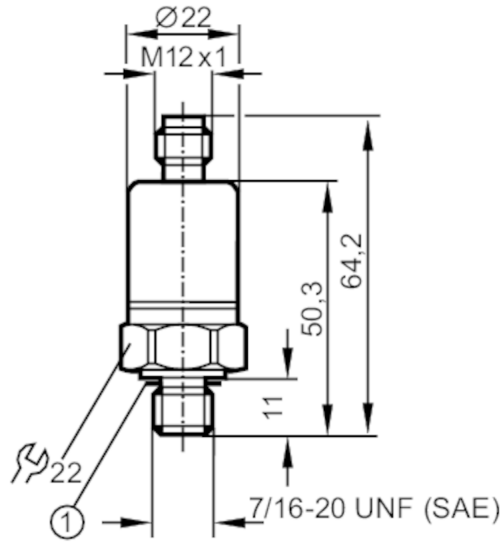


# PC9010



## Pressure transmitter

PT-500PSBU76-B-DVG/US/ /W



1 O-ring  
Tightening torque 25 Nm



### Product characteristics

|                              |  |               |
|------------------------------|--|---------------|
| Number of inputs and outputs | Number of analog outputs: 1                              |               |
| Measuring range              | 0...5000 psi   | 0...34470 kPa |
| Process connection           | threaded connection 7/16" - 20 UNF (SAE) external thread |               |

### Application

|                         |                         |         |
|-------------------------|-------------------------|---------|
| Application             | for mobile applications |         |
| Media                   | liquids and gases       |         |
| Medium temperature [°C] | -40...90                |         |
| Min. bursting pressure  | 23200 psi               | 160 MPa |
| Pressure rating         | 8700 psi                | 60 MPa  |
| Type of pressure        | relative pressure       |         |

### Electrical data

|                                 |                |  |
|---------------------------------|----------------|--|
| Operating voltage [V]           | 8...36 DC      |  |
| Current consumption [mA]        | < 6            |  |
| Min. insulation resistance [MΩ] | 100; (80 V DC) |  |
| Protection class                | III            |  |
| Reverse polarity protection     | yes            |  |

### Inputs / outputs

|                              |                             |  |
|------------------------------|-----------------------------|--|
| Number of inputs and outputs | Number of analog outputs: 1 |  |
|------------------------------|-----------------------------|--|

### Outputs

|                           |               |  |
|---------------------------|---------------|--|
| Total number of outputs   | 1             |  |
| Output signal             | analog signal |  |
| Number of analog outputs  | 1             |  |
| Analog voltage output [V] | 0...5         |  |
| Min. load resistance [Ω]  | 2000          |  |

# PC9010



## Pressure transmitter

PT-500PSBU76-B-DVG/US/ /W

| Measuring/setting range                                   |  |   |
|---|--|---|
| Measuring range   | 0...5000 psi   | 0...34470 kPa   |
| Accuracy / deviations                                     |  |   |
| Repeatability [% of the span]                             | < ± 0,1; (with temperature fluctuations < 10 K)                      |   |
| Characteristics deviation [% of the span]                 | < ± 1,0; (incl. drift due to tightening torque, zero and span error) |   |
| Linearity deviation [% of the span]                       | < ± 0,25 (BFSL) / < ± 0,5 (LS)                                       |   |
| Hysteresis deviation [% of the span]                      | < ± 0,2  |   |
| Long-term stability [% of the span]                       | < ± 0,1; (per 6 months)  |   |
| Temperature coefficient zero point [% of the span / 10 K] | < ± 0,15; (-25...90 °C)  |   |
| Temperature coefficient span [% of the span / 10 K]       | < ± 0,15; (-25...90 °C)  |   |
| Reaction times  |  |   |
| Step response time analog output [ms]                     | 8  |   |
| Operating conditions                                      |  |   |
| Ambient temperature [°C]                                  | -40...90   |   |
| Storage temperature [°C]                                  | -40...90   |   |
| Protection  | IP 67; IP 69K  |   |
| Tests / approvals   |  |   |
| EMC   | DIN EN 61000-4-2 ESD   | 4 kV CD / 8 kV AD   |
|   | noise immunity   | according to the automotive directive 1995/54/EC, 2004/104 EC, 2005/83/EC |
|   | ISO 11452-2  | 100 V/m   |
|   | ISO 11452-4  | 100 mA / severity level 4   |
|   | ISO 7637-2   | severity level 4  |
|   | radiation of interference  | CISPR 25  |
|   | DIN EN 61000-6-1   |   |
| DIN EN 61000-6-4  |  |   |
| Shock resistance  | DIN EN 68-2-27   | 50 g (11 ms)  |
| Vibration resistance                                      | DIN EN 68-2-6  | 20 g (10...2000 Hz)   |
| MTTF [years]  | 865  |   |
| Mechanical data   |  |   |
| Weight [g]  | 74.5   |   |
| Housing   | tubular  |   |
| Dimensions [mm]   | Ø 22 / L = 64.2  |   |
| Material  | stainless steel (1.4404 / 316L); PA PACM 12 (TROGAMID)               |   |
| Materials (wetted parts)                                  | stainless steel (1.4404 / 316L); FPM Viton                           |   |
| Min. pressure cycles                                      | 50 million   |   |
| Process connection  | threaded connection 7/16" - 20 UNF (SAE) external thread             |   |
| Restrictor element integrated                             | yes  |   |

# PC9010



## Pressure transmitter

PT-500PSBU76-B-DVG/US/ /W

| Remarks       |   |
|---------------|---|
| Remarks       | BFSL = Best Fit Straight Line<br>LS = limit value setting |
| Pack quantity | 1 pcs.  |

### Electrical connection

Connector: 1 x M12; coding: A



### Connection

