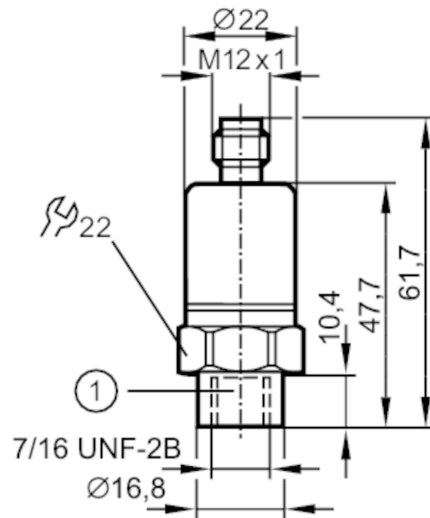


PC9013



Pressure transmitter

PT-075PSBU76-B-DVG/US/ /W



1 process connection with Schrader connection



Product characteristics

| | | |
|------------------------------|---|--------------|
| Number of inputs and outputs | Number of analog outputs: 1 | |
| Measuring range | 0...750 psi | 0...5170 kPa |
| Process connection | threaded connection 7/16" - 20 UNF Internal thread - Schrader | |

Application

| | | |
|-------------------------|-----------------------------|--------|
| Application | for industrial applications | |
| Media | liquids and gases | |
| Medium temperature [°C] | -25...90 | |
| Min. bursting pressure | 8702 psi | 60 MPa |
| Pressure rating | 870 psi | 6 MPa |
| Type of pressure | relative pressure | |

Electrical data

| | | |
|---------------------------------|-----------------|--|
| Operating voltage [V] | 16...36 DC | |
| Current consumption [mA] | < 6 | |
| Min. insulation resistance [MΩ] | 100; (500 V DC) | |
| Protection class | III | |
| Reverse polarity protection | yes | |

Inputs / outputs

| | | |
|------------------------------|-----------------------------|--|
| Number of inputs and outputs | Number of analog outputs: 1 | |
|------------------------------|-----------------------------|--|

Outputs

| | | |
|---------------------------|---------------|--|
| Total number of outputs | 1 | |
| Output signal | analog signal | |
| Number of analog outputs | 1 | |
| Analog voltage output [V] | 0...10 | |
| Min. load resistance [Ω] | 2000 | |

Measuring/setting range

| | | |
|-----------------|-------------|--------------|
| Measuring range | 0...750 psi | 0...5170 kPa |
|-----------------|-------------|--------------|

PC9013



Pressure transmitter

PT-075PSBU76-B-DVG/US/ /W

| Accuracy / deviations | | |
|------------------------------------|---------------------------|---|
| Repeatability | [% of the span] | $< \pm 0,1$; (with temperature fluctuations < 10 K) |
| Characteristics deviation | [% of the span] | $< \pm 1,4$; (incl. drift due to tightening torque, zero and span error) |
| Linearity deviation | [% of the span] | $< \pm 0,25$ (BFSL) / $< \pm 0,5$ (LS) |
| Hysteresis deviation | [% of the span] | $< \pm 0,3$ |
| Long-term stability | [% of the span] | $< \pm 0,1$; (per 6 months) |
| Temperature coefficient zero point | [% of the span / 10 K] | $< \pm 0,1$; (-25...90 °C) |
| Temperature coefficient span | [% of the span / 10 K] | $< \pm 0,1$; (-25...90 °C) |
| Operating conditions | | |
| Ambient temperature | [°C] | -25...90 |
| Storage temperature | [°C] | -40...100 |
| Protection | | IP 67; IP 69K |
| Tests / approvals | | |
| EMC | EN 61000-4-2 ESD | 4 kV CD / 8 kV AD |
| | EN 61000-4-3 HF radiated | 10 V/m |
| | EN 61000-4-4 Burst | 4 kV coupling clamp |
| | EN 61000-4-5 Surge | 1 kV signal for DC units |
| | EN 61000-4-6 HF conducted | 10 V |
| | Shock resistance | DIN IEC 68-2-27 |
| Vibration resistance | DIN IEC 68-2-6 | 20 g (10...2000 Hz) |
| MTTF | [years] | 1116 |
| Pressure equipment directive | | sound engineering practice; can be used for group 2 fluids; group 1 fluids on request |
| Mechanical data | | |
| Weight | [g] | 74.5 |
| Housing | | tubular |
| Dimensions | [mm] | $\varnothing 22$ / L = 61.7 |
| Material | | stainless steel (1.4404 / 316L); PA |
| Materials (wetted parts) | | stainless steel (1.4404 / 316L) |
| Min. pressure cycles | | 50 million |
| Process connection | | threaded connection 7/16" - 20 UNF Internal thread - Schrader |
| Remarks | | |
| Remarks | | BFSL = Best Fit Straight Line LS = limit value setting |
| Pack quantity | | 1 pcs. |

PC9013



Pressure transmitter

PT-075PSBU76-B-DVG/US/ /W

Electrical connection

Connector: 1 x M12; coding: A



Connection

