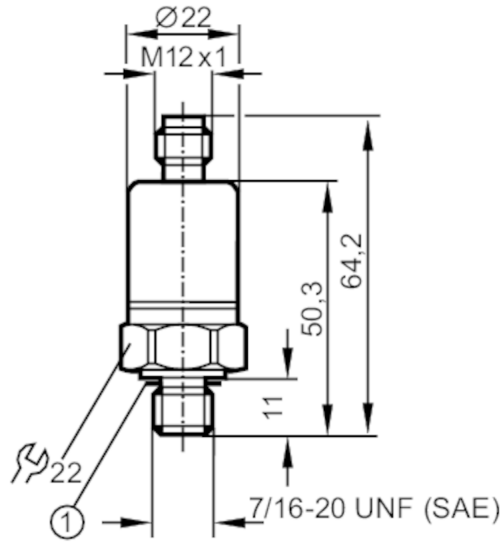


# PC9021



## Pressure transmitter

PT-300PSBU76-C-DVG/US/ /W



1 O-ring  
Tightening torque 25 Nm



### Product characteristics

Number of inputs and outputs	Number of analogue outputs: 1	
Measuring range	0...3000 psi	0...20700 kPa
Process connection	threaded connection 7/16" - 20 UNF (SAE)	

### Application

Application	for mobile applications	
Media	liquids and gases	
Medium temperature [°C]	-40...90	
Min. bursting pressure	14500 psi	100 MPa
Pressure rating	5800 psi	40 MPa
Type of pressure	relative pressure	

### Electrical data

Operating voltage [V]	9...36 DC	
Current consumption [mA]	< 6	
Min. insulation resistance [MΩ]	100; (80 V DC)	
Protection class	III	
Reverse polarity protection	yes	

### Inputs / outputs

Number of inputs and outputs	Number of analogue outputs: 1
------------------------------	-------------------------------

### Outputs

Total number of outputs	1
Output signal	analogue signal
Number of analogue outputs	1
Analogue voltage output [V]	0...5
Min. load resistance [Ω]	2000

# PC9021



## Pressure transmitter

PT-300PSBU76-C-DVG/US/ /W

Measuring/setting range		
Measuring range	0...3000 psi	0...20700 kPa
Accuracy / deviations		
Repeatability [% of the span]	< ± 0,1; (with temperature fluctuations < 10 K)	
Characteristics deviation [% of the span]	< ± 1,2; (incl. drift when overtightened, zero point and span error)	
Linearity deviation [% of the span]	< ± 0,25 (BFSL) / < ± 0,5 (LS)	
Hysteresis deviation [% of the span]	< ± 0,2	
Long-term stability [% of the span]	< ± 0,1; (per 6 months)	
Temperature coefficient zero point [% of the span / 10 K]	< ± 0,15; (-25...90 °C)	
Temperature coefficient span [% of the span / 10 K]	< ± 0,15; (-25...90 °C)	
Response times		
Step response time analogue output [ms]	8	
Operating conditions		
Ambient temperature [°C]	-40...90	
Storage temperature [°C]	-40...100	
Protection	IP 67; IP 69K	
Tests / approvals		
EMC	EN 61000-4-2 ESD	4 kV CD / 8 kV AD
	Störfestigkeit	nach KFZ-Richtlinie 95/54/EG 04/104EG / 05/83EG
	ISO 11452-2	100 V/m
	ISO 11452-4	100 mA / Schärfegrad 4
	ISO 7637-2	Schärfegrad 4
	Störemission	nach CISPR 25
	EN 61000-6-1	
	EN 61000-6-4	
Shock resistance	DIN IEC 68-2-27	50 g (11 ms)
Vibration resistance	DIN IEC 68-2-6	20 g (10...2000 Hz)
MTTF [years]	859	
Mechanical data		
Weight [g]	78.5	
Housing	cylindrical	
Dimensions [mm]	Ø 22 / L = 61.7	
Materials	stainless steel (316L/1.4404); PA PACM 12 (TROGAMID)	
Materials (wetted parts)	stainless steel (316L/1.4404); FPM Viton	
Min. pressure cycles	50 million	
Process connection	threaded connection 7/16" - 20 UNF (SAE)	

# PC9021



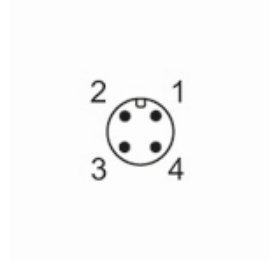
## Pressure transmitter

PT-300PSBU76-C-DVG/US/ /W

Remarks	
Remarks	BFSL = Best Fit Straight Line LS = limit value setting
Pack quantity	1 pcs.

### Electrical connection

Connector: 1 x M12; coding: A



### Connection

