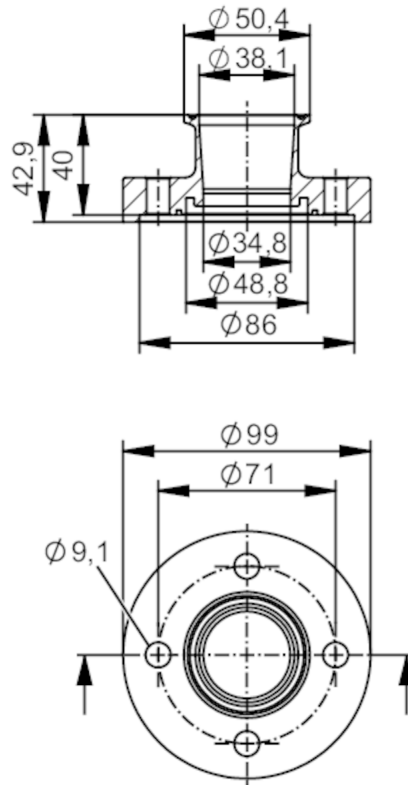


E40492



Process adapter clamp DIN 32676 series A

ADAPT DIN32676-A DN40



EC 1935/2004 FCM FDA

| Application | |
|---|---|
| Design | for flow meter SMF |
| Application | food and beverage industry; hygienic systems |
| Pressure rating | 16 bar 1.6 MPa |
| Tests / approvals | |
| Pressure equipment directive | A possible classification to PED depends on the application and has to be carried out by the user / operator. |
| Safety instructions | The compatibility between medium and product material has to be checked in all applications. |
| Mechanical data | |
| Weight [g] | 2390.6 |
| Housing | tubular |
| Dimensions [mm] | Ø 99 / L = 42.9 |
| Material | stainless steel (1.4404 / 316L) |
| Nominal diameter | DN40 (1 1/2") |
| Sensor connection | ifm-specific device flange |
| Process connection | Clamp DIN 32676 series A (ISO) |
| Process connection suitable for pipe standard | (DIN EN 10357 series A); (DIN 11866 series A); (DIN 11850 series 1); (DIN 11850 series 2) |
| Surface characteristics Ra/Rz of the wetted parts | Ra < 0.4 µm |

E40492



Process adapter clamp DIN 32676 series A

ADAPT DIN32676-A DN40

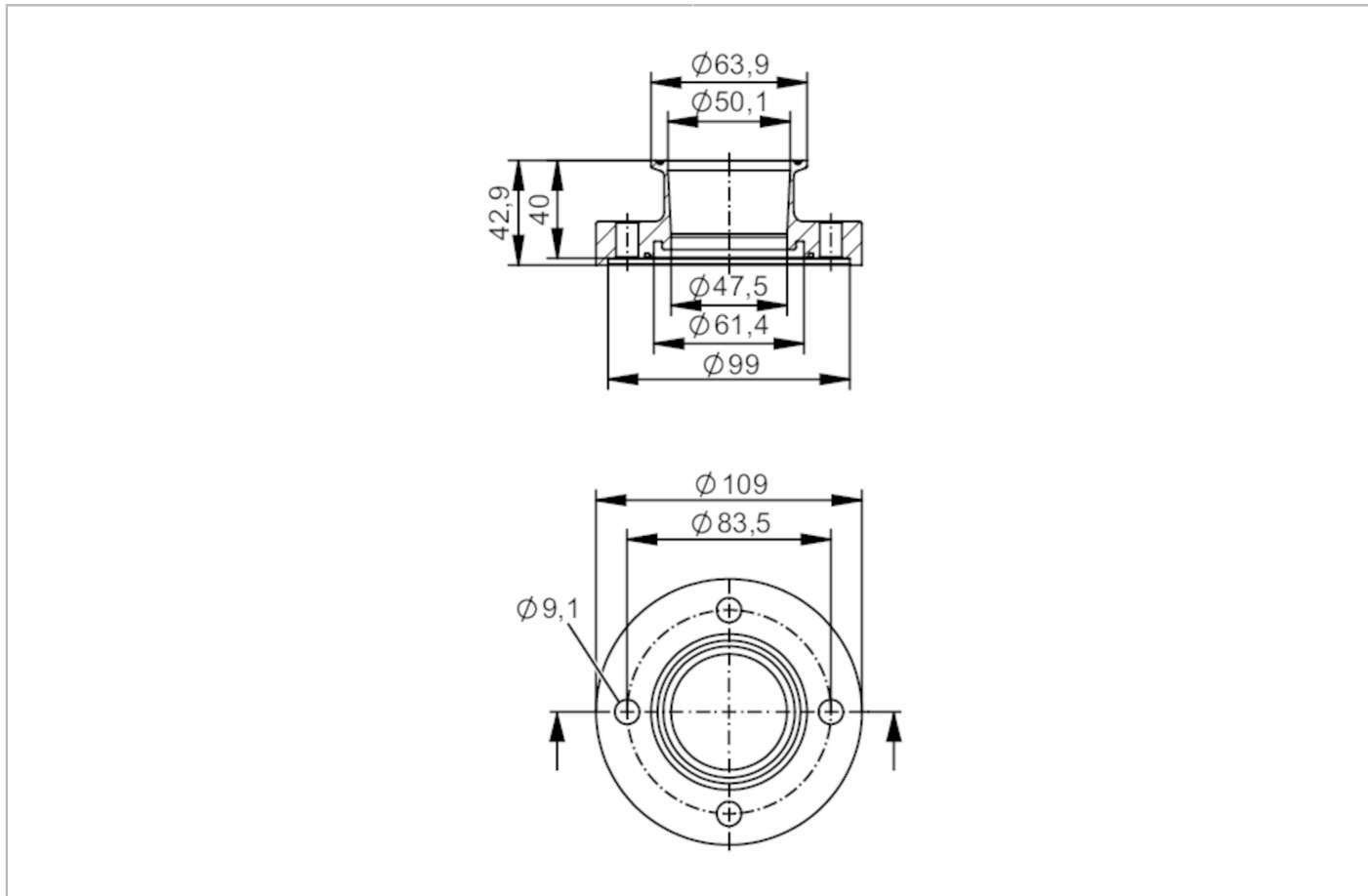
| Accessories | |
|----------------|----------|
| Items supplied | screws 8 |
| Remarks | |
| Pack quantity | 2 pcs. |

E40493



Process adapter clamp DIN 32676 series A

ADAPT DIN32676-A DN50



| Application | |
|---|---|
| Design | for flow meter SMF |
| Application | food and beverage industry; hygienic systems |
| Pressure rating | 16 bar 1.6 MPa |
| Tests / approvals | |
| Pressure equipment directive | A possible classification to PED depends on the application and has to be carried out by the user / operator. |
| Safety instructions | The compatibility between medium and product material has to be checked in all applications. |
| Mechanical data | |
| Weight [g] | 2580.7 |
| Housing | tubular |
| Dimensions [mm] | $\varnothing 109 / L = 42.9$ |
| Material | stainless steel (1.4404 / 316L) |
| Nominal diameter | DN50 (2") |
| Sensor connection | ifm-specific device flange |
| Process connection | Clamp DIN 32676 series A (ISO) |
| Process connection suitable for pipe standard | (DIN EN 10357 series A); (DIN 11866 series A); (DIN 11850 series 1); (DIN 11850 series 2) |

E40493



Process adapter clamp DIN 32676 series A

ADAPT DIN32676-A DN50

| | |
|---|-------------|
| Surface characteristics Ra/Rz of the wetted parts | Ra < 0.4 µm |
|---|-------------|

Accessories

| | |
|----------------|----------|
| Items supplied | screws 8 |
|----------------|----------|

Remarks

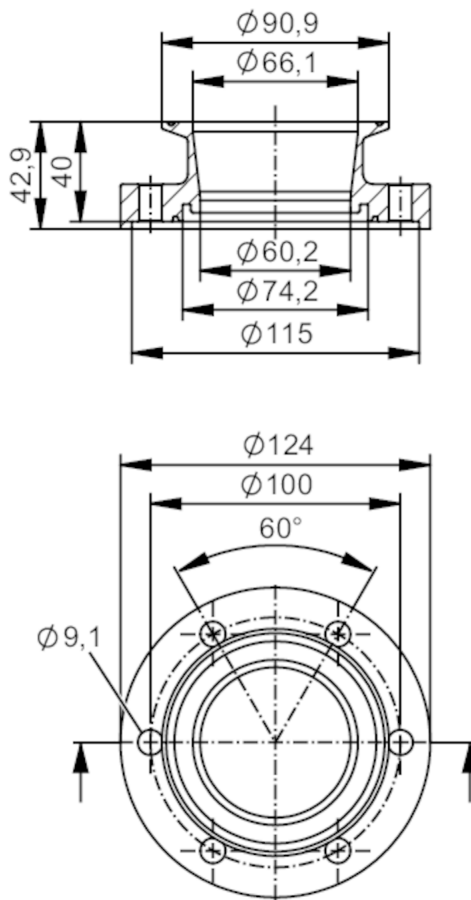
| | |
|---------------|--------|
| Pack quantity | 2 pcs. |
|---------------|--------|

E40494



Process adapter clamp DIN 32676 series A

ADAPT DIN32676-A DN65



EC 1935/2004 FCM FDA

| Application | |
|------------------------------|---|
| Design | for flow meter SMF |
| Application | food and beverage industry; hygienic systems |
| Pressure rating | 16 bar 1.6 MPa |
| Tests / approvals | |
| Pressure equipment directive | A possible classification to PED depends on the application and has to be carried out by the user / operator. |
| Safety instructions | The compatibility between medium and product material has to be checked in all applications. |
| Mechanical data | |
| Weight [g] | 3685.7 |
| Housing | tubular |
| Dimensions [mm] | $\varnothing 124 / L = 42.9$ |
| Material | stainless steel (1.4404 / 316L) |
| Nominal diameter | DN65 (2 1/2") |
| Sensor connection | ifm-specific device flange |
| Process connection | Clamp DIN 32676 series A (ISO) |

E40494



Process adapter clamp DIN 32676 series A

ADAPT DIN32676-A DN65

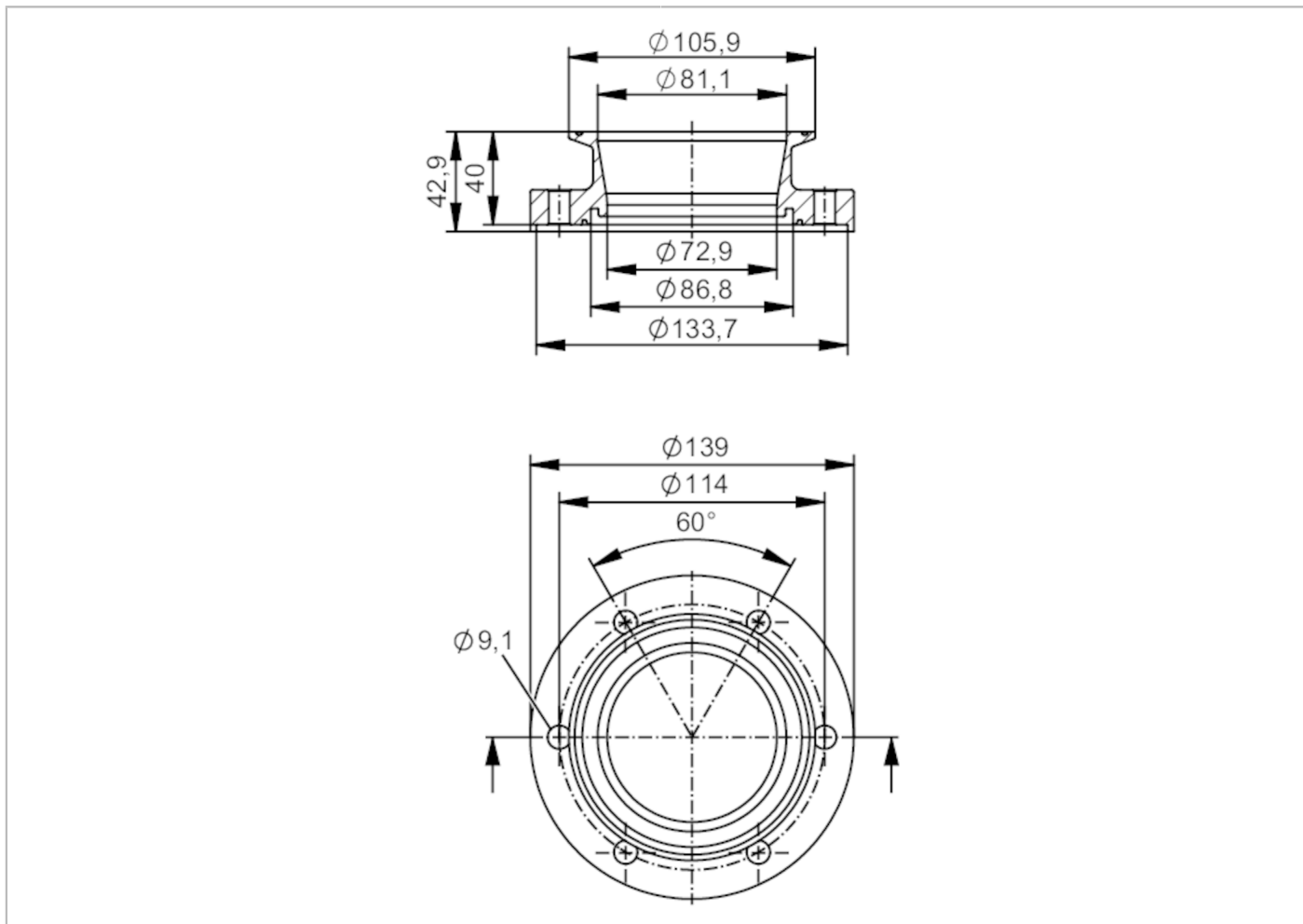
| | |
|---|---|
| Process connection suitable for pipe standard | (DIN EN 10357 series A); (DIN 11866 series A); (DIN 11850 series 2) |
| Surface characteristics Ra/Rz of the wetted parts | Ra < 0.4 µm |
| Accessories | |
| Items supplied | screws 12 |
| Remarks | |
| Pack quantity | 2 pcs. |

E40495



Process adapter clamp DIN 32676 series A

ADAPT DIN32676-A DN80



| Application | |
|------------------------------|---|
| Design | for flow meter SMF |
| Application | food and beverage industry; hygienic systems |
| Pressure rating | 10 bar 1 MPa |
| Tests / approvals | |
| Pressure equipment directive | A possible classification to PED depends on the application and has to be carried out by the user / operator. |
| Safety instructions | The compatibility between medium and product material has to be checked in all applications. |
| Mechanical data | |
| Weight [g] | 4130 |
| Housing | tubular |
| Dimensions [mm] | Ø 139 / L = 42.9 |
| Material | stainless steel (1.4404 / 316L) |
| Nominal diameter | DN80 (3") |
| Sensor connection | ifm-specific device flange |
| Process connection | Clamp DIN 32676 series A (ISO) |

E40495



Process adapter clamp DIN 32676 series A

ADAPT DIN32676-A DN80

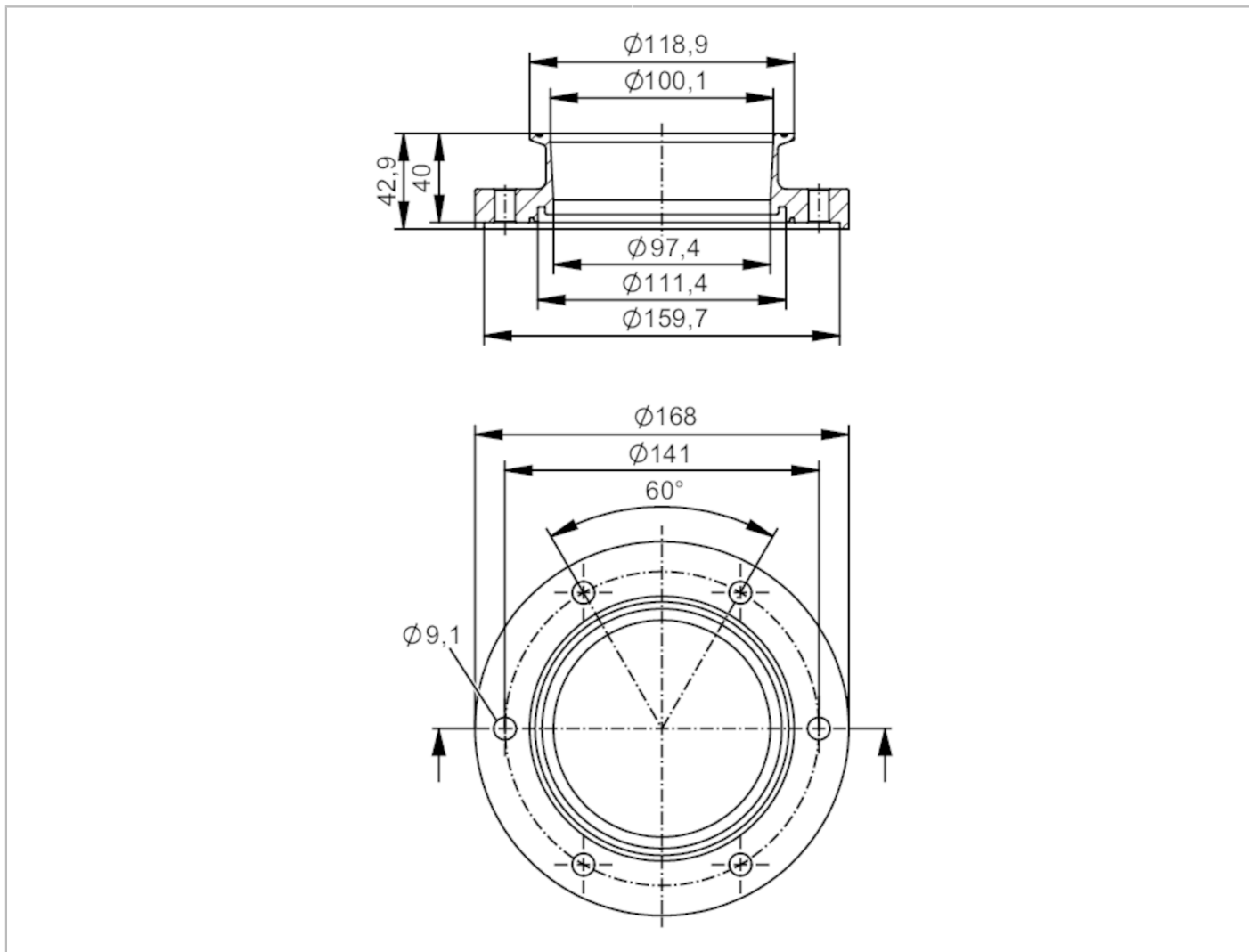
| | |
|---|---|
| Process connection suitable for pipe standard | (DIN EN 10357 series A); (DIN 11866 series A); (DIN 11850 series 2) |
| Surface characteristics Ra/Rz of the wetted parts | Ra < 0.4 µm |
| Accessories | |
| Items supplied | screws 12 |
| Remarks | |
| Pack quantity | 2 pcs. |

E40496



Process adapter clamp DIN 32676 series A

ADAPT DIN32676-A DN100



| Application | |
|------------------------------|---|
| Design | for flow meter SMF |
| Application | food and beverage industry; hygienic systems |
| Pressure rating | 10 bar 1 MPa |
| Tests / approvals | |
| Pressure equipment directive | A possible classification to PED depends on the application and has to be carried out by the user / operator. |
| Safety instructions | The compatibility between medium and product material has to be checked in all applications. |
| Mechanical data | |
| Weight [g] | 4883.8 |
| Housing | tubular |
| Dimensions [mm] | $\varnothing 168$ / L = 42.9 |
| Material | stainless steel (1.4404 / 316L) |
| Nominal diameter | DN100 (4") |
| Sensor connection | ifm-specific device flange |

E40496



Process adapter clamp DIN 32676 series A

ADAPT DIN32676-A DN100

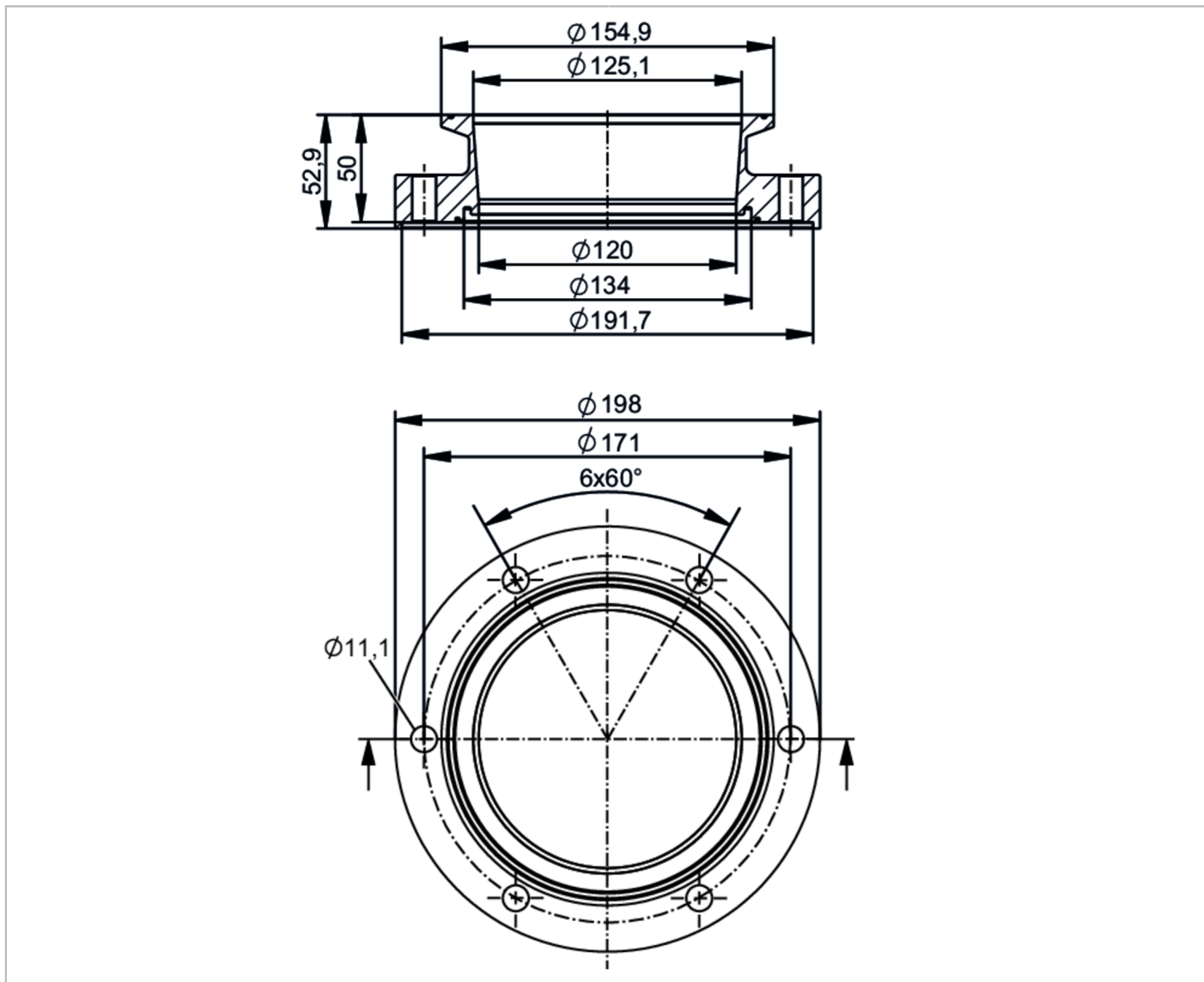
| | |
|---|---|
| Process connection | Clamp DIN 32676 series A (ISO) |
| Process connection suitable for pipe standard | (DIN EN 10357 series A); (DIN 11866 series A); (DIN 11850 series 2) |
| Surface characteristics Ra/Rz of the wetted parts | Ra < 0.4 µm |
| Accessories | |
| Items supplied | screws 12 |
| Remarks | |
| Pack quantity | 2 pcs. |

E40497



Process adapter clamp DIN 32676 series A

ADAPT DIN32676-A DN125



| Application | |
|------------------------------|---|
| Design | for flow meter SMF |
| Application | food and beverage industry; hygienic systems |
| Pressure rating | 10 bar 1 MPa |
| Tests / approvals | |
| Pressure equipment directive | A possible classification to PED depends on the application and has to be carried out by the user / operator. |
| Safety instructions | The compatibility between medium and product material has to be checked in all applications. |
| Mechanical data | |
| Weight [g] | 9625 |
| Housing | tubular |
| Dimensions [mm] | Ø 198 / L = 52.9 |
| Material | stainless steel (1.4404 / 316L) |

E40497



Process adapter clamp DIN 32676 series A

ADAPT DIN32676-A DN125

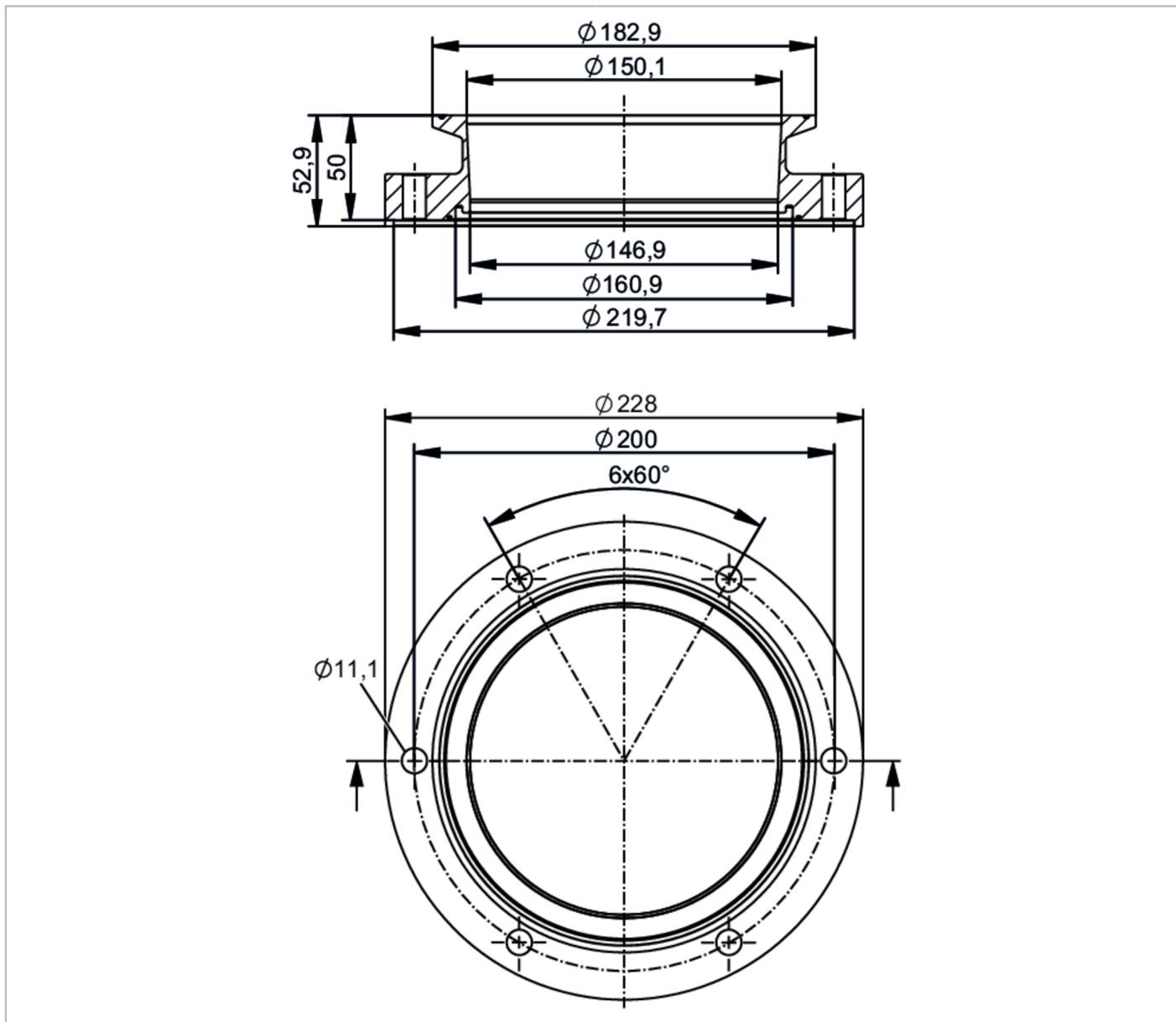
| | |
|---|---|
| Nominal diameter | DN125 (5") |
| Sensor connection | ifm-specific device flange |
| Process connection | Clamp DIN 32676 series A (ISO) |
| Process connection suitable for pipe standard | (DIN EN 10357 series A); (DIN 11866 series A); (DIN 11850 series 2) |
| Surface characteristics Ra/Rz of the wetted parts | Ra < 0.4 µm |
| Accessories | |
| Items supplied | screws 12 |
| Remarks | |
| Pack quantity | 2 pcs. |

E40498



Process adapter clamp DIN 32676 series A

ADAPT DIN32676-A DN150



| Application | |
|------------------------------|---|
| Design | for flow meter SMF |
| Application | food and beverage industry; hygienic systems |
| Pressure rating | 10 bar / 1 MPa |
| Tests / approvals | |
| Pressure equipment directive | A possible classification to PED depends on the application and has to be carried out by the user / operator. |
| Safety instructions | The compatibility between medium and product material has to be checked in all applications. |
| Mechanical data | |
| Weight [g] | 11.42 |
| Housing | tubular |
| Dimensions [mm] | $\varnothing 228 / L = 52.9$ |

E40498



Process adapter clamp DIN 32676 series A

ADAPT DIN32676-A DN150

| | |
|---|---|
| Material | stainless steel (1.4404 / 316L) |
| Nominal diameter | DN150 (6") |
| Sensor connection | ifm-specific device flange |
| Process connection | Clamp DIN 32676 series A (ISO) |
| Process connection suitable for pipe standard | (DIN EN 10357 series A); (DIN 11866 series A); (DIN 11850 series 2) |
| Surface characteristics Ra/Rz of the wetted parts | Ra < 0.4 µm |

Accessories

| | |
|----------------|-----------|
| Items supplied | screws 12 |
|----------------|-----------|

Remarks

| | |
|---------------|--------|
| Pack quantity | 2 pcs. |
|---------------|--------|