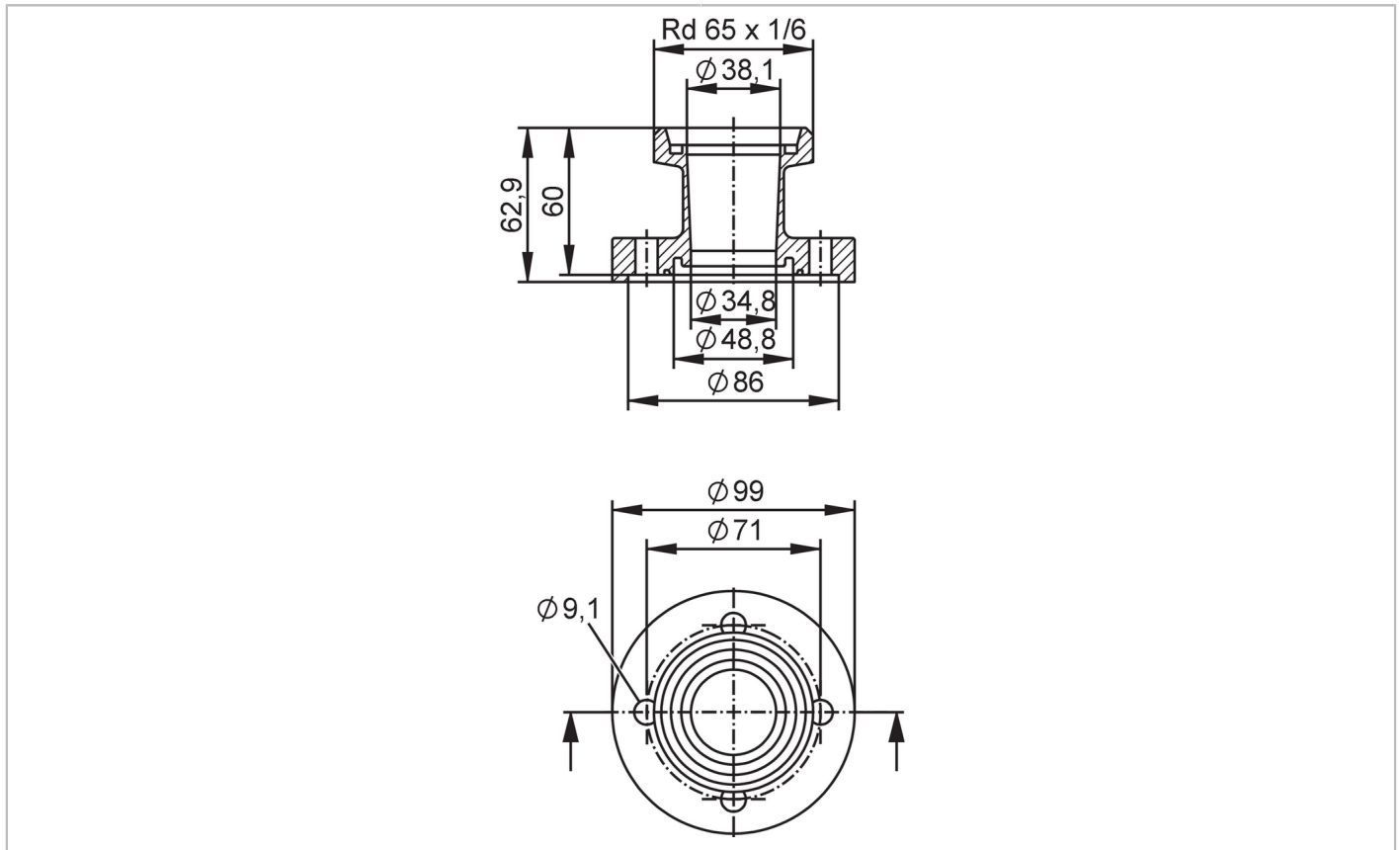


E40502



Process adapters pipe fitting DIN11851

ADAPT DIN11851 DN40



EC 1935/2004 FCM FDA

Application	
Design	for flow meter SMF
Application	food and beverage industry; hygienic systems
Pressure rating	40 bar 4 MPa
MAWP (for applications according to CRN) [MPa]	4
Tests / approvals	
Pressure equipment directive	A possible classification to PED depends on the application and has to be carried out by the user / operator.
Safety instructions	The compatibility between medium and product material has to be checked in all applications.
Mechanical data	
Weight [g]	2620
Housing	tubular
Dimensions [mm]	Ø 99 / L = 62.9
Material	stainless steel (1.4404 / 316L)
Nominal diameter	DN40 (1 1/2")
Sensor connection	ifm-specific device flange
Process connection	Hygienic pipe fitting DIN 11851
Process connection suitable for pipe standard	(DIN EN 10357 series A); (DIN 11866 series A); (DIN 11850 series 1); (DIN 11850 series 2)

E40502



Process adapters pipe fitting DIN11851

ADAPT DIN11851 DN40

Surface characteristics Ra/Rz of the wetted parts	Ra < 0.4 µm
---	-------------

Accessories

Items supplied	screws 8
----------------	----------

Remarks

Remarks	MAWP (for applications according to CRN) with VMQ sealing ring E40572, 3.4 MPa applies
---------	--

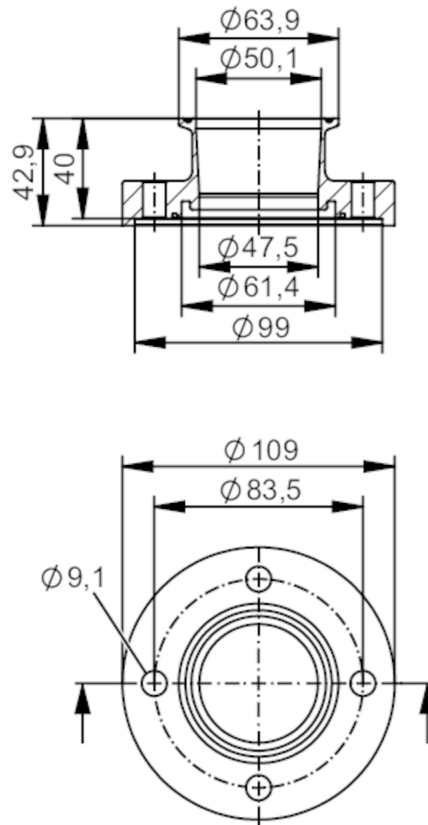
Pack quantity	2 pcs.
---------------	--------

E40503



Process adapters pipe fitting DIN11851

ADAPT DIN11851 DN50



EC 1935/2004 FCM FDA

Application	
Design	for flow meter SMF
Application	food and beverage industry; hygienic systems
Pressure rating	25 bar 2.5 MPa
Tests / approvals	
Pressure equipment directive	A possible classification to PED depends on the application and has to be carried out by the user / operator.
Safety instructions	The compatibility between medium and product material has to be checked in all applications.
Mechanical data	
Weight [g]	2882
Housing	tubular
Dimensions [mm]	Ø 109 / L = 42.9
Material	stainless steel (1.4404 / 316L)
Nominal diameter	DN50 (2")
Sensor connection	ifm-specific device flange
Process connection	Hygienic pipe fitting DIN 11851
Process connection suitable for pipe standard	(DIN EN 10357 series A); (DIN 11866 series A); (DIN 11850 series 1); (DIN 11850 series 2)

E40503



Process adapters pipe fitting DIN11851

ADAPT DIN11851 DN50

Surface characteristics Ra/Rz
of the wetted parts

Ra < 0.4 µm

Accessories

Items supplied

screws 8

Remarks

Pack quantity

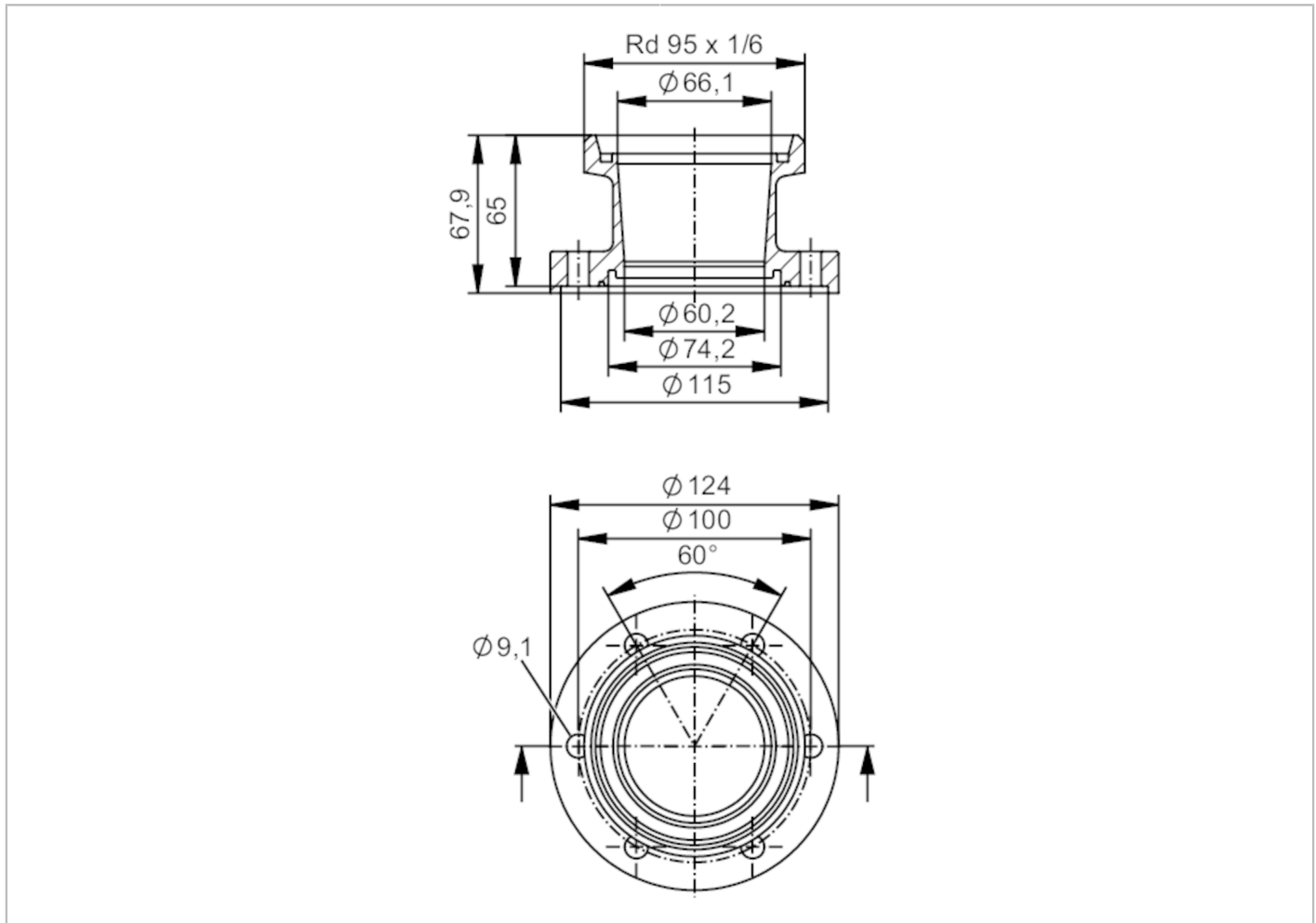
2 pcs.

E40504



Process adapters pipe fitting DIN11851

ADAPT DIN11851 DN65



Application	
Design	for flow meter SMF
Application	food and beverage industry; hygienic systems
Pressure rating	25 bar / 2.5 MPa
Tests / approvals	
Pressure equipment directive	A possible classification to PED depends on the application and has to be carried out by the user / operator.
Safety instructions	The compatibility between medium and product material has to be checked in all applications.
Mechanical data	
Weight [g]	4228.1
Housing	tubular
Dimensions [mm]	Ø 124 / L = 67.9
Material	stainless steel (1.4404 / 316L)
Nominal diameter	DN65 (2 1/2")
Sensor connection	ifm-specific device flange
Process connection	Hygienic pipe fitting DIN 11851

E40504



Process adapters pipe fitting DIN11851

ADAPT DIN11851 DN65

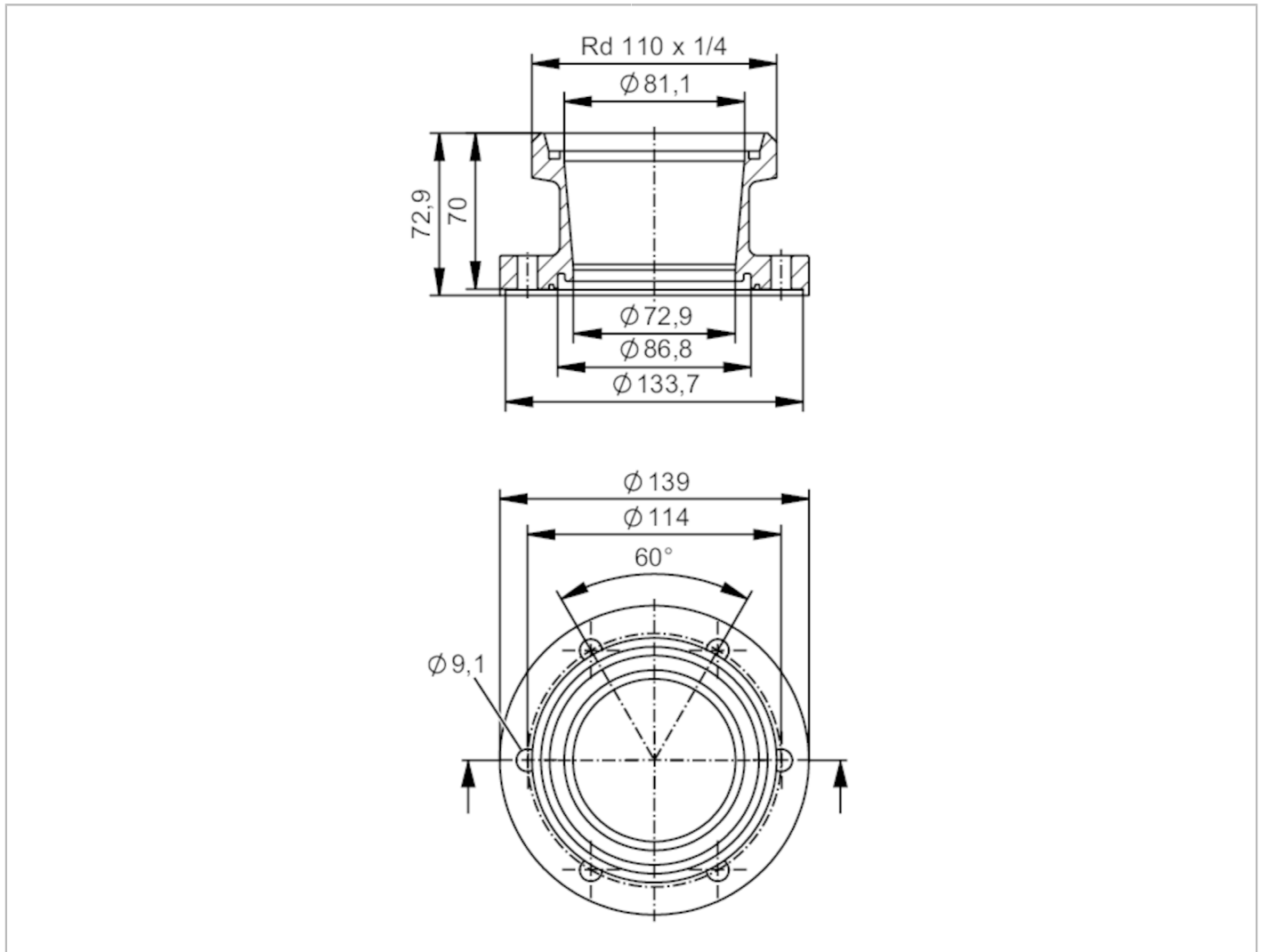
Process connection suitable for pipe standard	(DIN EN 10357 series A); (DIN 11866 series A); (DIN 11850 series 2)
Surface characteristics Ra/Rz of the wetted parts	Ra < 0.4 µm
Accessories	
Items supplied	screws 12
Remarks	
Pack quantity	2 pcs.

E40505



Process adapters pipe fitting DIN11851

ADAPT DIN11851 DN80



EC 1935/2004 FCM FDA

Application	
Design	for flow meter SMF
Application	food and beverage industry; hygienic systems
Pressure rating	25 bar / 2.5 MPa
Tests / approvals	
Pressure equipment directive	A possible classification to PED depends on the application and has to be carried out by the user / operator.
Safety instructions	The compatibility between medium and product material has to be checked in all applications.
Mechanical data	
Weight [g]	4988.8
Housing	tubular
Dimensions [mm]	Ø 139 / L = 72.9
Material	stainless steel (1.4404 / 316L)
Nominal diameter	DN80 (3")
Sensor connection	ifm-specific device flange

E40505



Process adapters pipe fitting DIN11851

ADAPT DIN11851 DN80

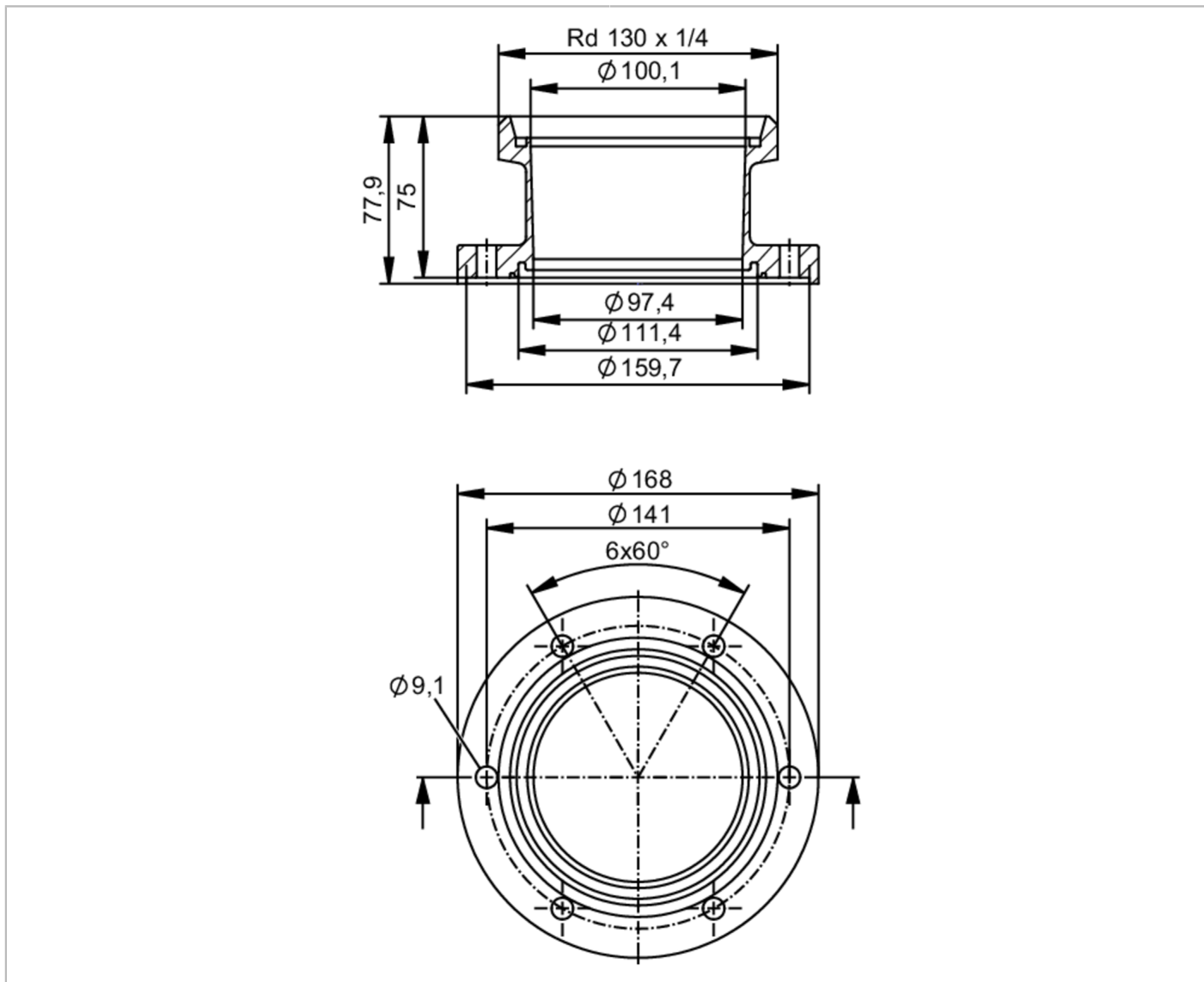
Process connection	Hygienic pipe fitting DIN 11851
Process connection suitable for pipe standard	(DIN EN 10357 series A); (DIN 11866 series A); (DIN 11850 series 2)
Surface characteristics Ra/Rz of the wetted parts	Ra < 0.4 µm
Accessories	
Items supplied	screws 12
Remarks	
Pack quantity	2 pcs.

E40506



Process adapters pipe fitting DIN11851

ADAPT DIN11851 DN100



EC 1935/2004 FCM FDA

Application	
Design	for flow meter SMF
Application	food and beverage industry; hygienic systems
Pressure rating	25 bar 2.5 MPa
Tests / approvals	
Pressure equipment directive	A possible classification to PED depends on the application and has to be carried out by the user / operator.
Safety instructions	The compatibility between medium and product material has to be checked in all applications.
Mechanical data	
Weight [g]	5815.7
Housing	tubular
Dimensions [mm]	Ø 168 / L = 77.9
Material	stainless steel (1.4404 / 316L)

E40506



Process adapters pipe fitting DIN11851

ADAPT DIN11851 DN100

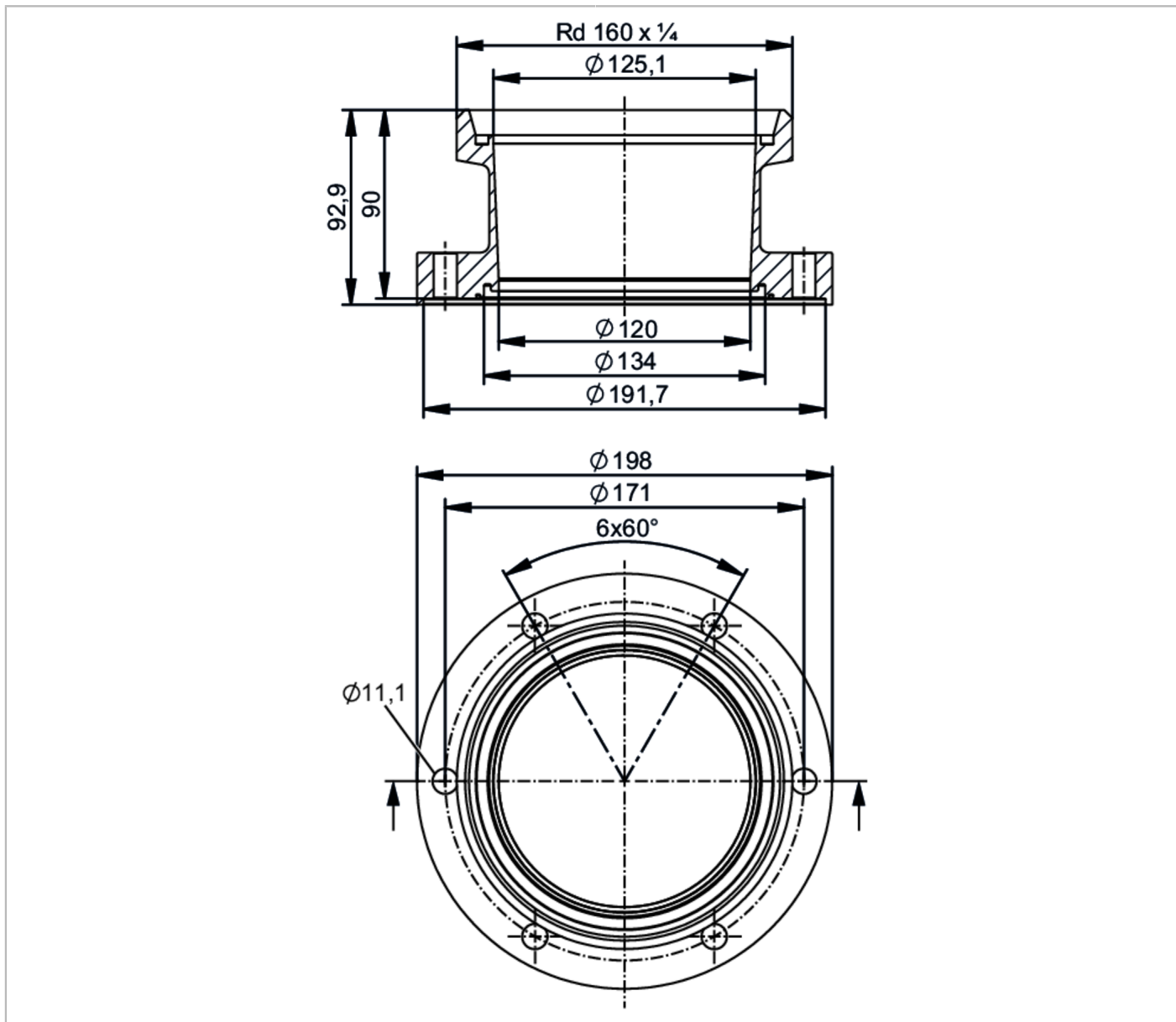
Nominal diameter	DN100 (4")
Sensor connection	ifm-specific device flange
Process connection	Hygienic pipe fitting DIN 11851
Process connection suitable for pipe standard	(DIN EN 10357 series A); (DIN 11866 series A); (DIN 11850 series 2)
Surface characteristics Ra/Rz of the wetted parts	Ra < 0.4 µm
Accessories	
Items supplied	screws 12
Remarks	
Pack quantity	2 pcs.

E40507



Process adapters pipe fitting DIN11851

ADAPT DIN11851 DN125



Application	
Design	for flow meter SMF
Application	food and beverage industry; hygienic systems
Pressure rating	16 bar / 1.6 MPa
Tests / approvals	
Pressure equipment directive	A possible classification to PED depends on the application and has to be carried out by the user / operator.
Safety instructions	The compatibility between medium and product material has to be checked in all applications.
Mechanical data	
Weight [g]	10915
Housing	tubular
Dimensions [mm]	Ø 198 / L = 92.9

E40507



Process adapters pipe fitting DIN11851

ADAPT DIN11851 DN125

Material	stainless steel (1.4404 / 316L)
Nominal diameter	DN125 (5")
Sensor connection	ifm-specific device flange
Process connection	Hygienic pipe fitting DIN 11851
Process connection suitable for pipe standard	(DIN EN 10357 series A); (DIN 11866 series A); (DIN 11850 series 2)
Surface characteristics Ra/Rz of the wetted parts	Ra < 0.4 µm

Accessories

Items supplied	screws 12
----------------	-----------

Remarks

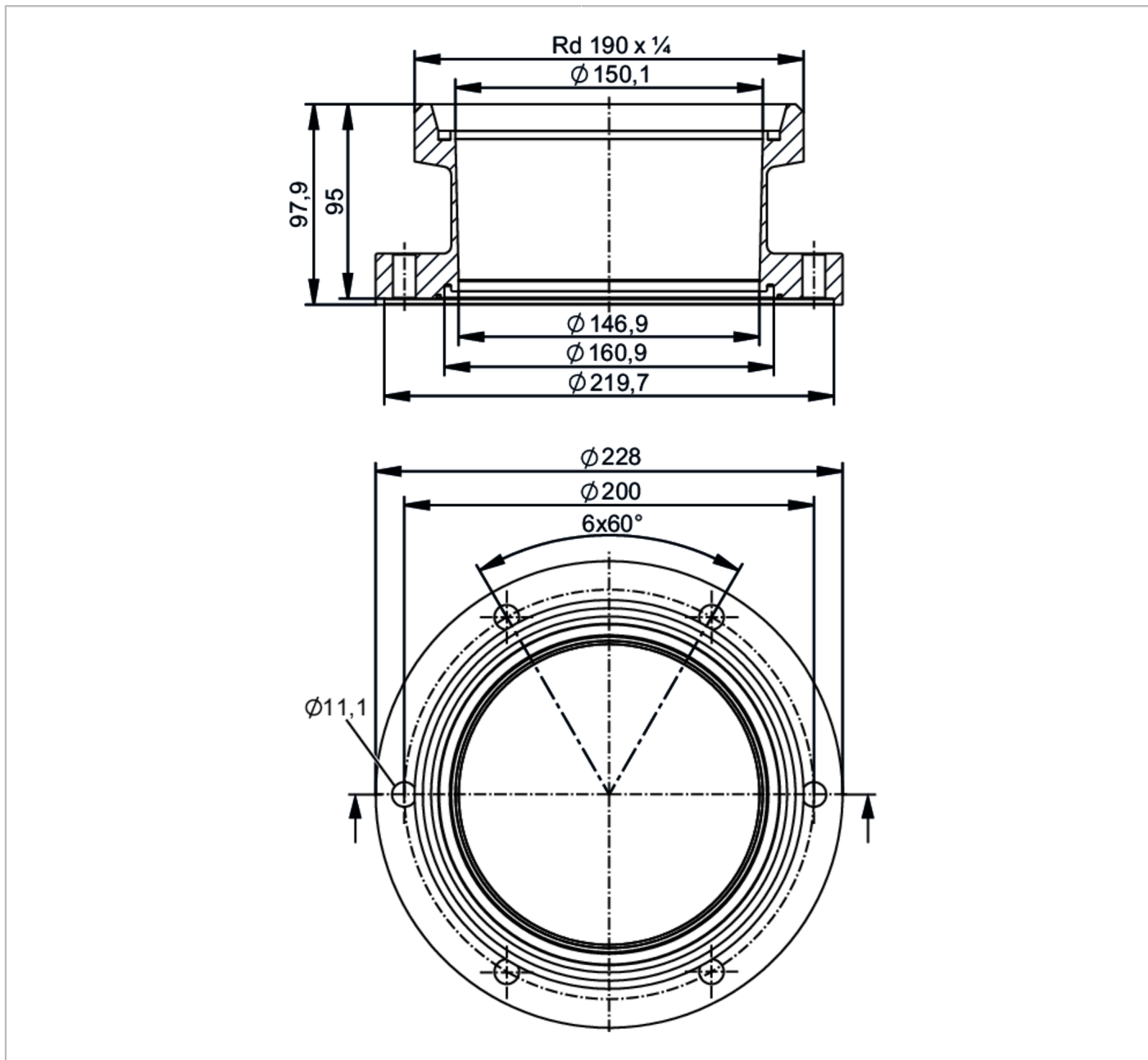
Pack quantity	2 pcs.
---------------	--------

E40508



Process adapters pipe fitting DIN11851

ADAPT DIN11851 DN150



Application	
Design	for flow meter SMF
Application	food and beverage industry; hygienic systems
Pressure rating	16 bar 1.6 MPa
Tests / approvals	
Pressure equipment directive	A possible classification to PED depends on the application and has to be carried out by the user / operator.
Safety instructions	The compatibility between medium and product material has to be checked in all applications.
Mechanical data	
Weight	[g] 13900

E40508



Process adapters pipe fitting DIN11851

ADAPT DIN11851 DN150

Housing	tubular
Dimensions [mm]	Ø 228 / L = 97.9
Material	stainless steel (1.4404 / 316L)
Nominal diameter	DN150 (6")
Sensor connection	ifm-specific device flange
Process connection	Hygienic pipe fitting DIN 11851
Process connection suitable for pipe standard	(DIN EN 10357 series A); (DIN 11866 series A); (DIN 11850 series 2)
Surface characteristics Ra/Rz of the wetted parts	Ra < 0.4 µm
Accessories	
Items supplied	screws 12
Remarks	
Pack quantity	2 pcs.