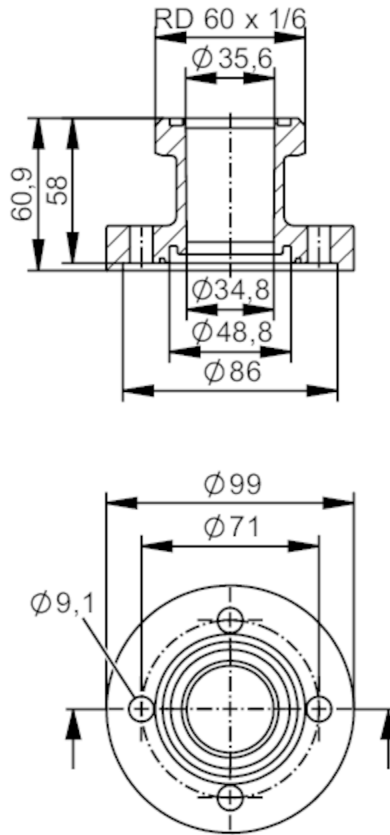


E40512



Process adapter SMS 1145

ADAPT SMS1145 DN40



Application	
Design	for flow meter SMF
Application	food and beverage industry; hygienic systems
Pressure rating	16 bar 1.6 MPa
Tests / approvals	
Pressure equipment directive	A possible classification to PED depends on the application and has to be carried out by the user / operator.
Safety instructions	The compatibility between medium and product material has to be checked in all applications.
Mechanical data	
Weight [g]	2751.4
Housing	tubular
Dimensions [mm]	Ø 99 / L = 60.9
Material	stainless steel (1.4404 / 316L)
Nominal diameter	DN40 (1 1/2")
Sensor connection	ifm-specific device flange
Process connection	SMS 1145
Process connection suitable for pipe standard	(ISO 2037); (JIS G3447); (DIN EN 10357 series D)

E40512



Process adapter SMS 1145

ADAPT SMS1145 DN40

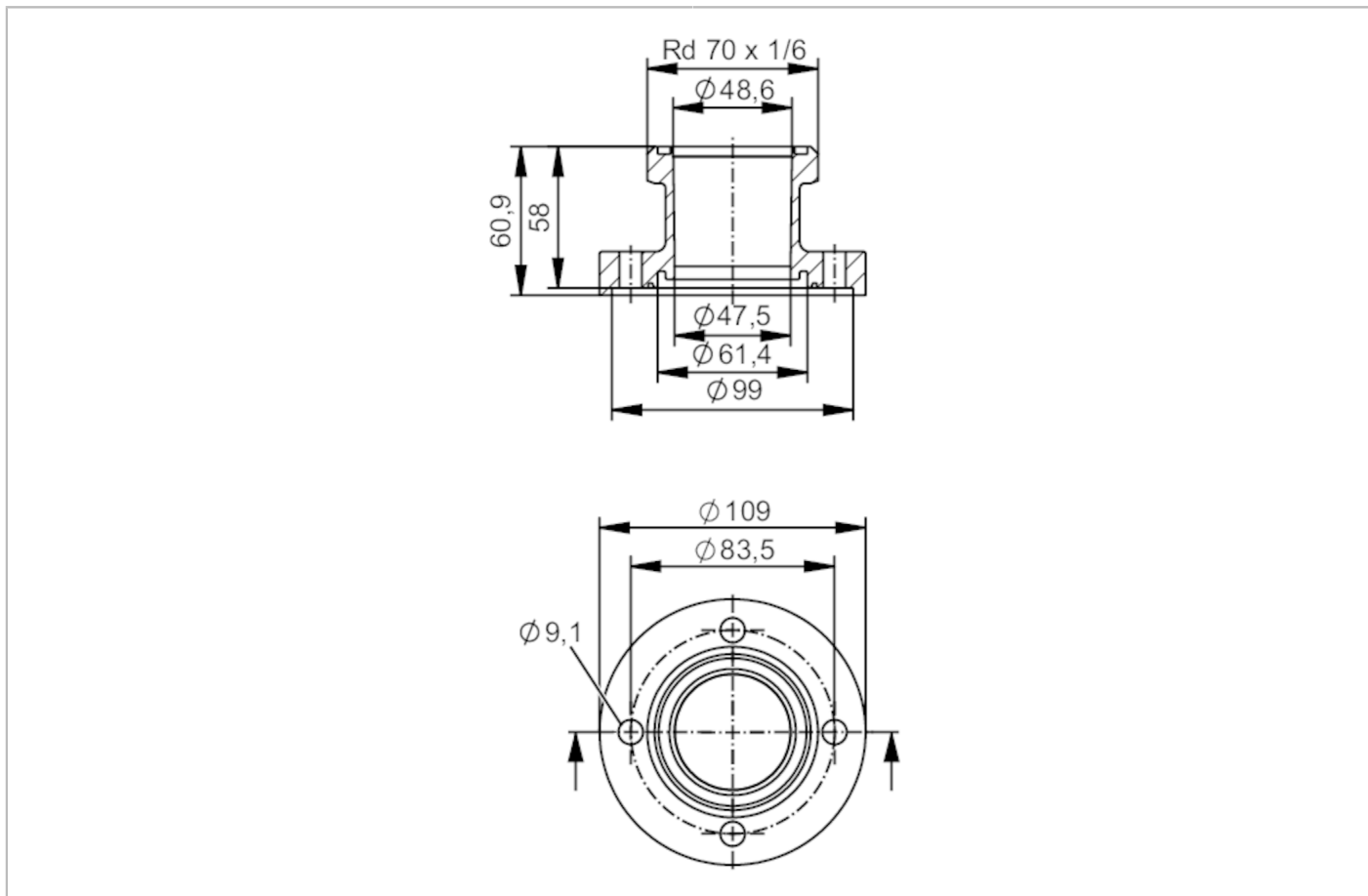
Surface characteristics Ra/Rz of the wetted parts	Ra < 0.4 µm
Accessories	
Items supplied	screws 8
Remarks	
Pack quantity	2 pcs.

E40513



Process adapter SMS 1145

ADAPT SMS1145 DN50



EC 1935/2004 FCM FDA

Application	
Design	for flow meter SMF
Application	food and beverage industry; hygienic systems
Pressure rating	16 bar 1.6 MPa
Tests / approvals	
Pressure equipment directive	A possible classification to PED depends on the application and has to be carried out by the user / operator.
Safety instructions	The compatibility between medium and product material has to be checked in all applications.
Mechanical data	
Weight [g]	2940
Housing	tubular
Dimensions [mm]	Ø 109 / L = 60.9
Material	stainless steel (1.4404 / 316L)
Nominal diameter	DN50 (2")
Sensor connection	ifm-specific device flange
Process connection	SMS 1145
Process connection suitable for pipe standard	(ISO 2037); (DIN EN 10357 Series D)

E40513



Process adapter SMS 1145

ADAPT SMS1145 DN50

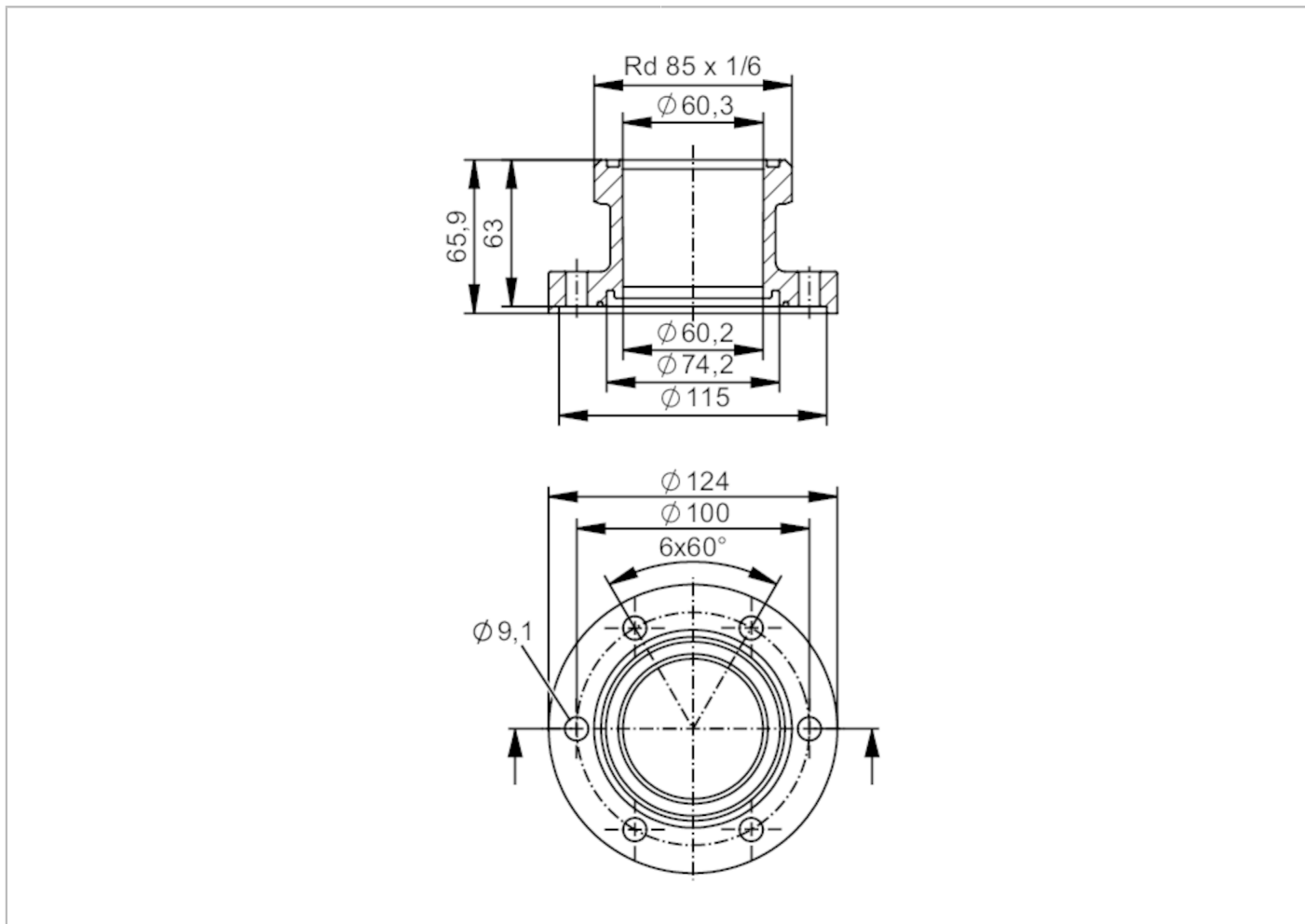
Surface characteristics Ra/Rz of the wetted parts	Ra < 0.4 µm
Accessories	
Items supplied	screws 8
Remarks	
Pack quantity	2 pcs.

E40514



Process adapter SMS 1145

ADAPT SMS1145 DN65



EC 1935/2004 FCM FDA

Application	
Design	for flow meter SMF
Application	food and beverage industry; hygienic systems
Pressure rating	16 bar 1.6 MPa
Tests / approvals	
Pressure equipment directive	A possible classification to PED depends on the application and has to be carried out by the user / operator.
Safety instructions	The compatibility between medium and product material has to be checked in all applications.
Mechanical data	
Weight [g]	4521.1
Housing	tubular
Dimensions [mm]	Ø 124 / L = 65.9
Material	stainless steel (1.4404 / 316L)
Nominal diameter	DN65 (2 1/2")
Sensor connection	ifm-specific device flange
Process connection	SMS 1145

E40514



Process adapter SMS 1145

ADAPT SMS1145 DN65

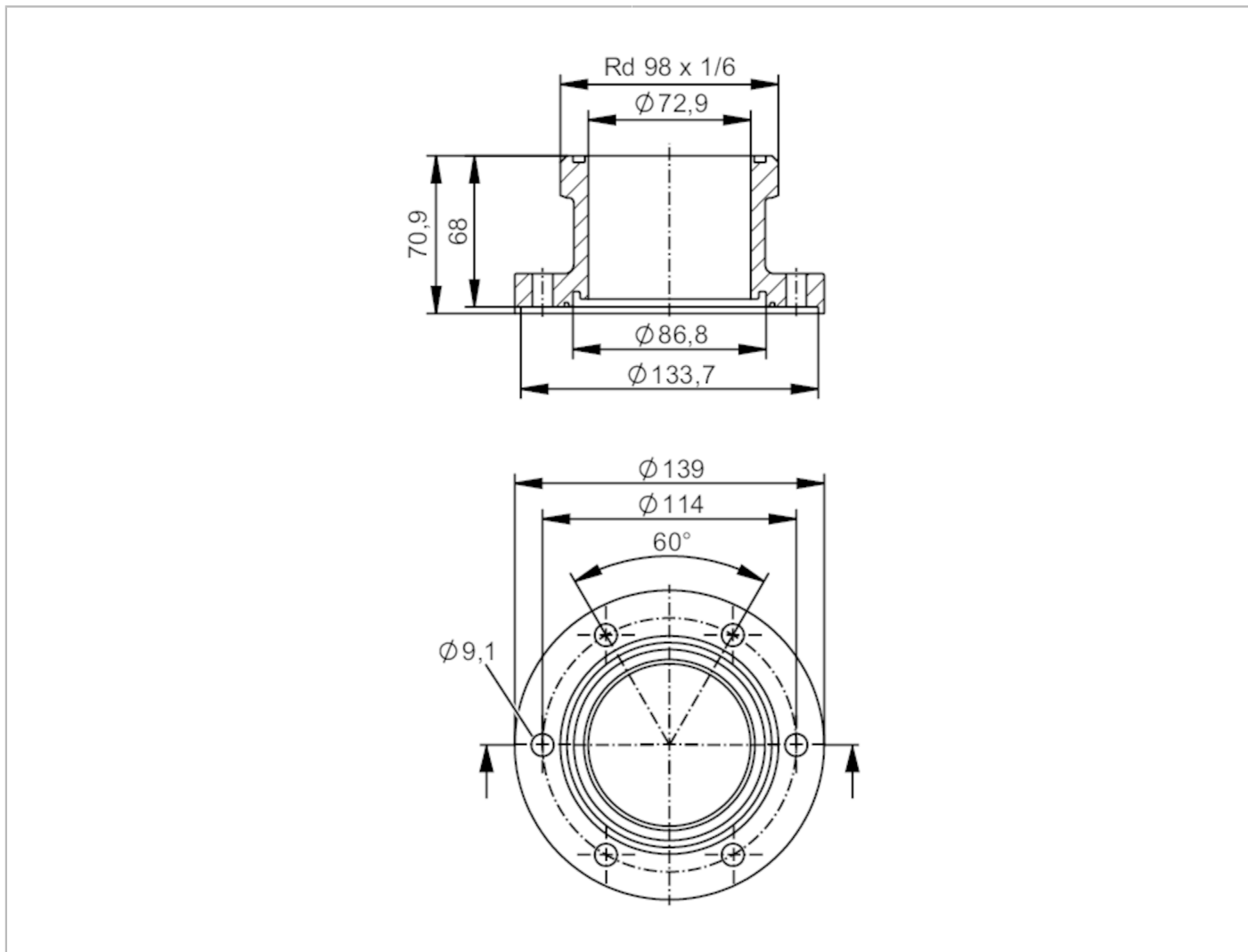
Process connection suitable for pipe standard	(ISO 2037); (BS 4825 Part 1); (DIN EN 10357 series C); (DIN EN 10357 series D)
Surface characteristics Ra/Rz of the wetted parts	Ra < 0.4 µm
Accessories	
Items supplied	screws 12
Remarks	
Pack quantity	2 pcs.

E40515



Process adapter SMS 1145

ADAPT SMS1145 DN80



EC 1935/2004 FCM FDA

Application	
Design	for flow meter SMF
Application	food and beverage industry; hygienic systems
Pressure rating	16 bar 1.6 MPa
Tests / approvals	
Pressure equipment directive	A possible classification to PED depends on the application and has to be carried out by the user / operator.
Safety instructions	The compatibility between medium and product material has to be checked in all applications.
Mechanical data	
Weight [g]	5214.4
Housing	tubular
Dimensions [mm]	Ø 139 / L = 70.9
Material	stainless steel (1.4404 / 316L)
Nominal diameter	DN80 (3")
Sensor connection	ifm-specific device flange

E40515



Process adapter SMS 1145

ADAPT SMS1145 DN80

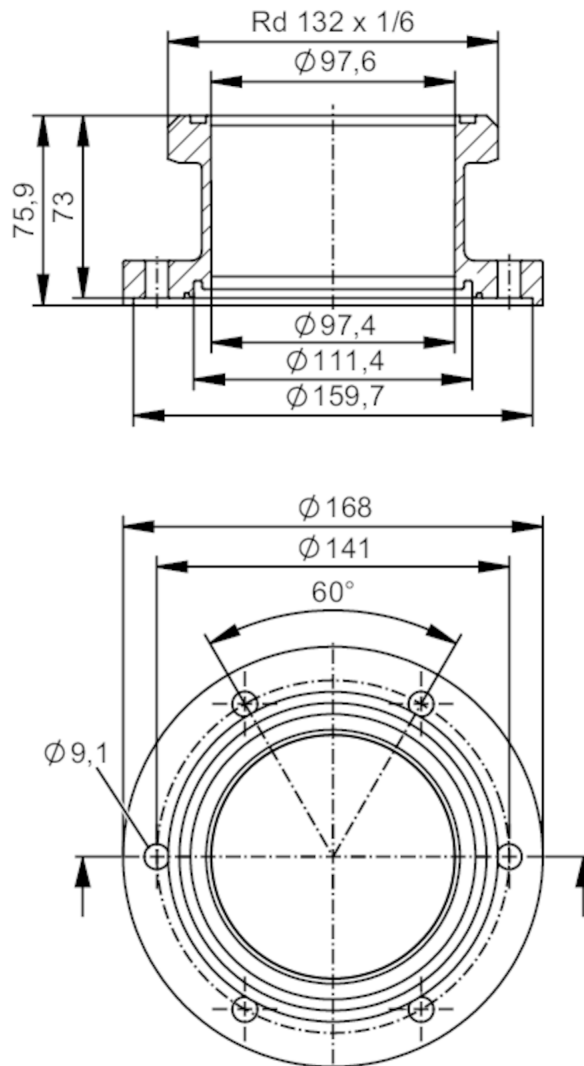
Process connection	SMS 1145
Process connection suitable for pipe standard	(ISO 2037); (DIN EN 10357 series C); (DIN EN 10357 series D)
Surface characteristics Ra/Rz of the wetted parts	Ra < 0.4 µm
Accessories	
Items supplied	screws 12
Remarks	
Pack quantity	2 pcs.

E40516



Process adapter SMS 1145

ADAPT SMS1145 DN100



EC 1935/2004 FCM FDA

Application	
Design	for flow meter SMF
Application	food and beverage industry; hygienic systems
Pressure rating	16 bar 1.6 MPa
Tests / approvals	
Pressure equipment directive	A possible classification to PED depends on the application and has to be carried out by the user / operator.
Safety instructions	The compatibility between medium and product material has to be checked in all applications.
Mechanical data	
Weight [g]	6619.4
Housing	tubular
Dimensions [mm]	Ø 168 / L = 75.9
Material	stainless steel (1.4404 / 316L)

E40516



Process adapter SMS 1145

ADAPT SMS1145 DN100

Nominal diameter	DN100 (4")
Sensor connection	ifm-specific device flange
Process connection	SMS 1145
Process connection suitable for pipe standard	(ISO 2037); (BS 4825 Part 1); (JIS G3447); (DIN EN 10357 series D)
Surface characteristics Ra/Rz of the wetted parts	Ra < 0.4 µm
Accessories	
Items supplied	screws 12
Remarks	
Pack quantity	2 pcs.