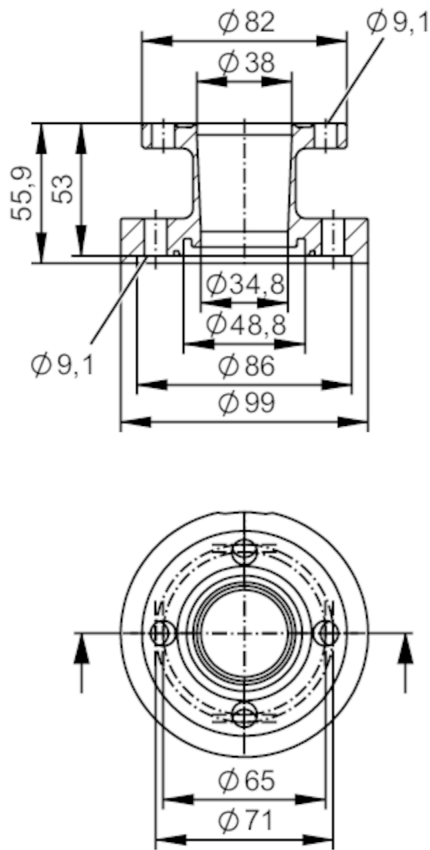


E40522



Process adapters aseptic flange DIN11864-2A

ADAPT DIN11864-2A DN40



Application	
Design	for flow meter SMF
Application	food and beverage industry; hygienic systems
Pressure rating	25 bar 2.5 MPa
Tests / approvals	
Pressure equipment directive	A possible classification to PED depends on the application and has to be carried out by the user / operator.
Safety instructions	The compatibility between medium and product material has to be checked in all applications.
Mechanical data	
Weight [g]	2939.3
Housing	tubular
Dimensions [mm]	Ø 99 / L = 55.9
Material	stainless steel (1.4404 / 316L)
Nominal diameter	DN40 (1 1/2")
Sensor connection	ifm-specific device flange
Process connection	aseptic flange DIN 11864-2A
Process connection suitable for pipe standard	(DIN EN 10357 series A); (DIN 11866 series A); (DIN 11850 series 1); (DIN 11850 series 2)

E40522



Process adapters aseptic flange DIN11864-2A

ADAPT DIN11864-2A DN40

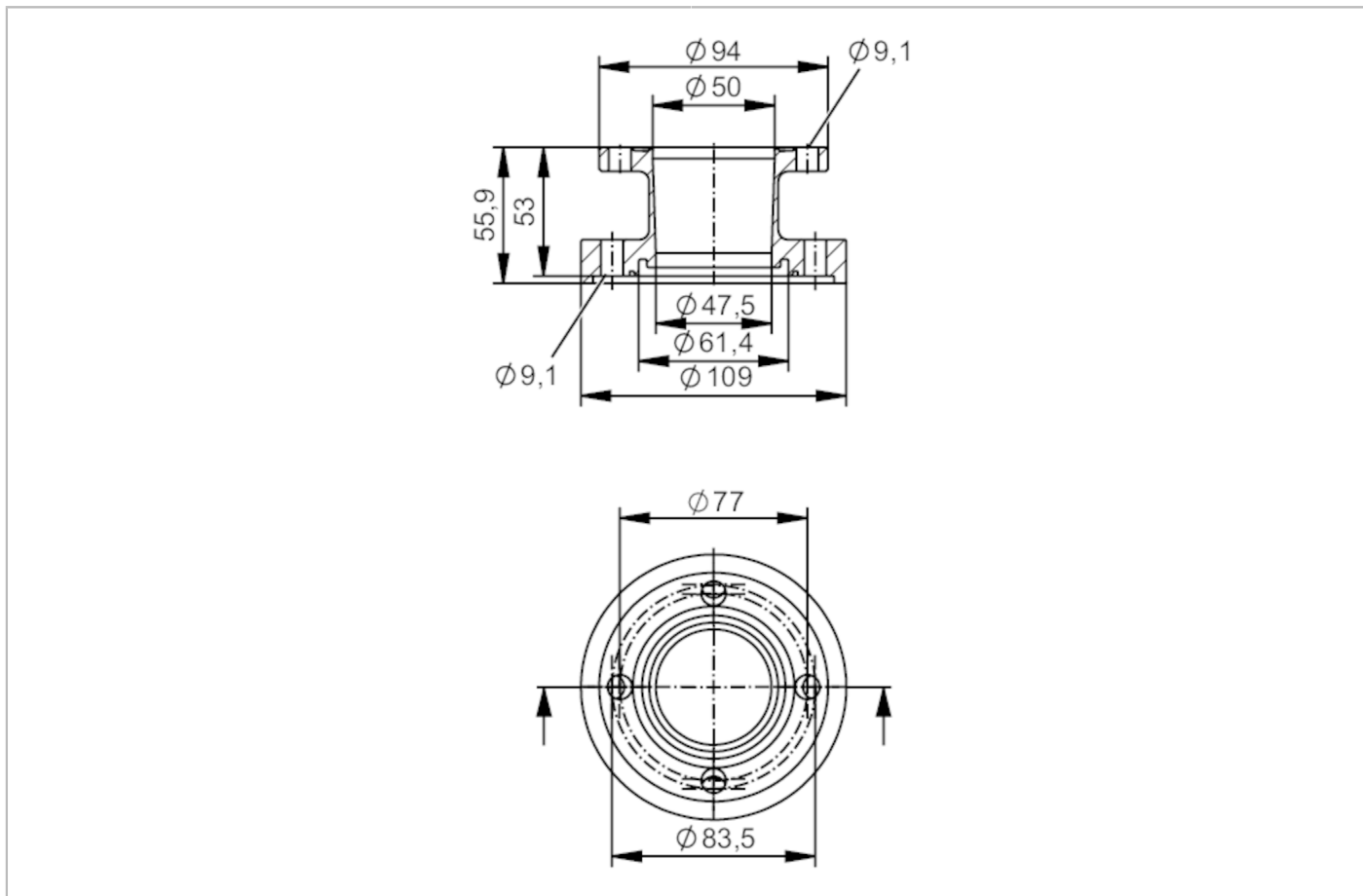
Surface characteristics Ra/Rz of the wetted parts	Ra < 0.4 µm
Accessories	
Items supplied	screws 8
Remarks	
Pack quantity	2 pcs.

E40523



Process adapters aseptic flange DIN11864-2A

ADAPT DIN11864-2A DN50



EC 1935/2004 FCM FDA

Application	
Design	for flow meter SMF
Application	food and beverage industry; hygienic systems
Pressure rating	16 bar 1.6 MPa
Tests / approvals	
Pressure equipment directive	A possible classification to PED depends on the application and has to be carried out by the user / operator.
Safety instructions	The compatibility between medium and product material has to be checked in all applications.
Mechanical data	
Weight [g]	3254.4
Housing	tubular
Dimensions [mm]	Ø 109 / L = 55.9
Material	stainless steel (1.4404 / 316L)
Nominal diameter	DN50 (2")
Sensor connection	ifm-specific device flange
Process connection	aseptic flange DIN 11864-2A
Process connection suitable for pipe standard	(DIN EN 10357 series A); (DIN 11866 series A); (DIN 11850 series 1); (DIN 11850 series 2)

E40523



Process adapters aseptic flange DIN11864-2A

ADAPT DIN11864-2A DN50

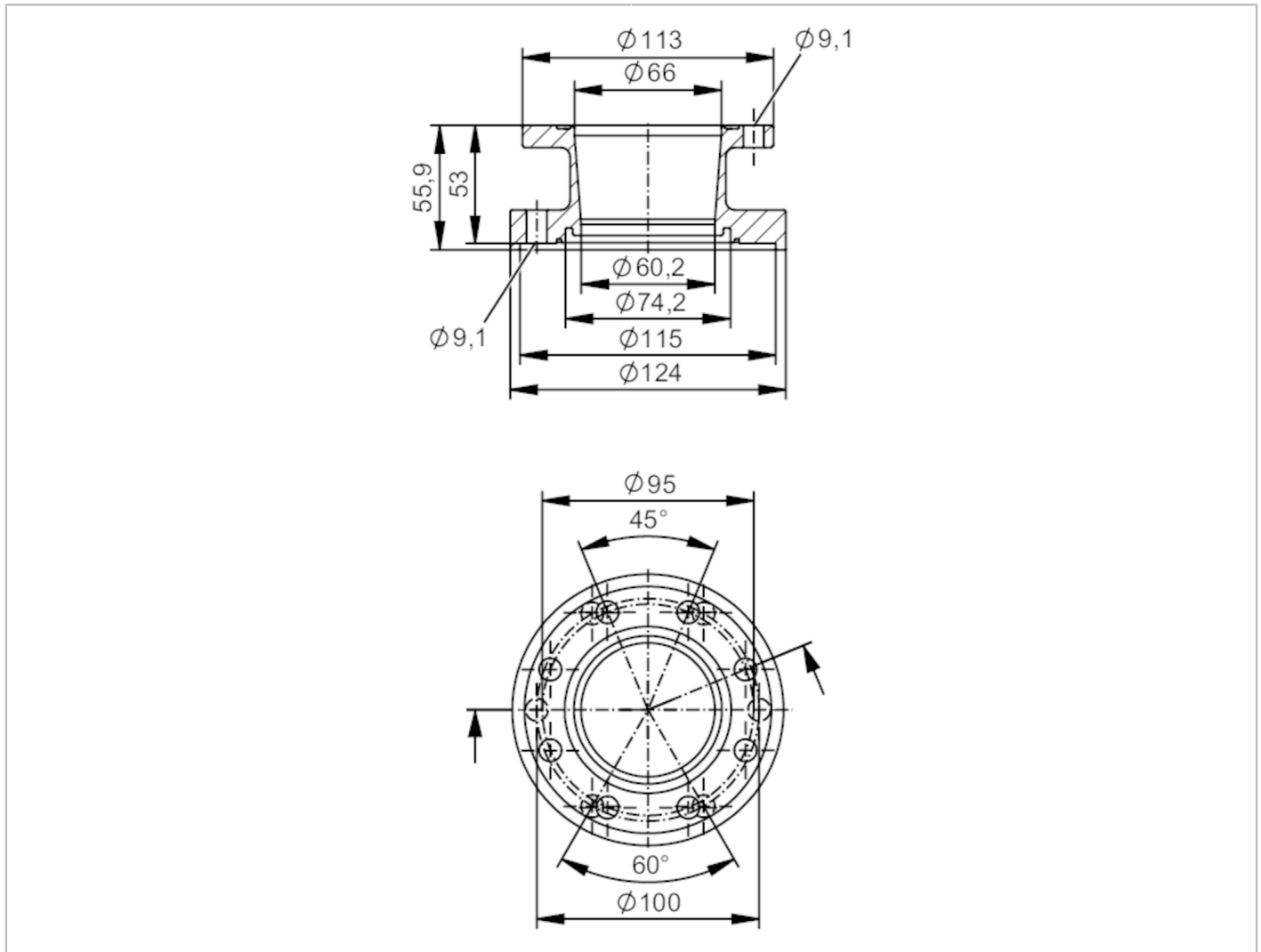
Surface characteristics Ra/Rz of the wetted parts	Ra < 0.4 µm
Accessories	
Items supplied	screws 8
Remarks	
Pack quantity	2 pcs.

E40524



Process adapters aseptic flange DIN11864-2A

ADAPT DIN11864-2A DN65



Application	
Design	for flow meter SMF
Application	food and beverage industry; hygienic systems
Pressure rating	16 bar 1.6 MPa
Tests / approvals	
Pressure equipment directive	A possible classification to PED depends on the application and has to be carried out by the user / operator.
Safety instructions	The compatibility between medium and product material has to be checked in all applications.
Mechanical data	
Weight [g]	4484.4
Housing	tubular
Dimensions [mm]	Ø 124 / L = 55.9
Material	stainless steel (1.4404 / 316L)
Nominal diameter	DN65 (2 1/2")
Sensor connection	ifm-specific device flange

E40524



Process adapters aseptic flange DIN11864-2A

ADAPT DIN11864-2A DN65

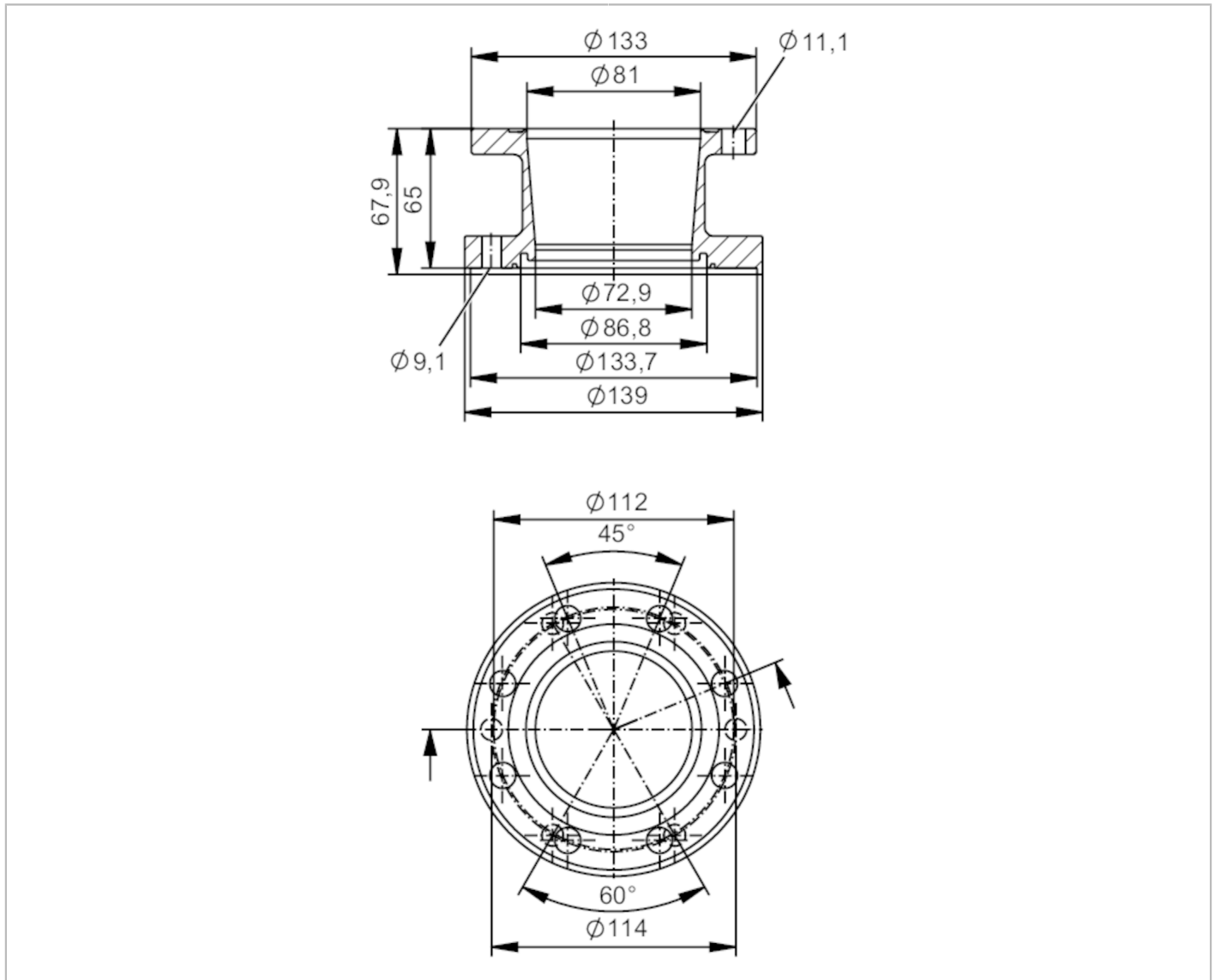
Process connection	aseptic flange DIN 11864-2A
Process connection suitable for pipe standard	(DIN EN 10357 series A); (DIN 11866 series A); (DIN 11850 series 2)
Surface characteristics Ra/Rz of the wetted parts	Ra < 0.4 µm
Accessories	
Items supplied	screws 12
Remarks	
Pack quantity	2 pcs.

E40525



Process adapters aseptic flange DIN11864-2A

ADAPT DIN11864-2A DN80



Application	
Design	for flow meter SMF
Application	food and beverage industry; hygienic systems
Pressure rating	16 bar 1.6 MPa
Tests / approvals	
Pressure equipment directive	A possible classification to PED depends on the application and has to be carried out by the user / operator.
Safety instructions	The compatibility between medium and product material has to be checked in all applications.
Mechanical data	
Weight [g]	5730.8
Housing	tubular
Dimensions [mm]	$\phi 139$ / L = 67.9
Material	stainless steel (1.4404 / 316L)

E40525



Process adapters aseptic flange DIN11864-2A

ADAPT DIN11864-2A DN80

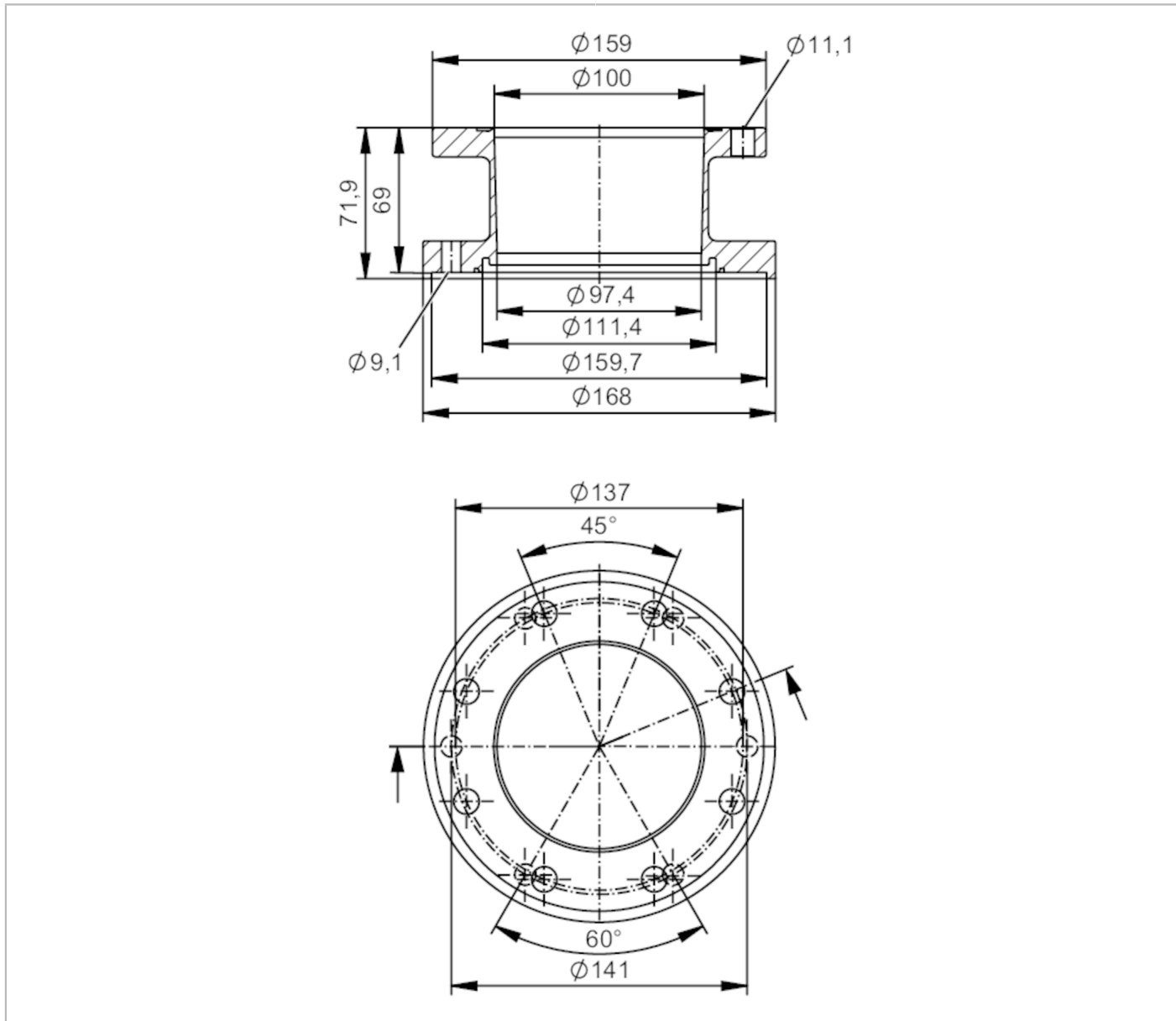
Nominal diameter	DN80 (3")
Sensor connection	ifm-specific device flange
Process connection	aseptic flange DIN 11864-2A
Process connection suitable for pipe standard	(DIN EN 10357 series A); (DIN 11866 series A); (DIN 11850 series 2)
Surface characteristics Ra/Rz of the wetted parts	Ra < 0.4 µm
Accessories	
Items supplied	screws 12
Remarks	
Pack quantity	2 pcs.

E40526



Process adapters aseptic flange DIN11864-2A

ADAPT DIN11864-2A DN100



EC 1935/2004 FCM FDA

Application	
Design	for flow meter SMF
Application	food and beverage industry; hygienic systems
Pressure rating	16 bar 1.6 MPa
Tests / approvals	
Pressure equipment directive	A possible classification to PED depends on the application and has to be carried out by the user / operator.
Safety instructions	The compatibility between medium and product material has to be checked in all applications.
Mechanical data	
Weight [g]	7363.2
Housing	tubular
Dimensions [mm]	Ø 168 / L = 71.9

E40526



Process adapters aseptic flange DIN11864-2A

ADAPT DIN11864-2A DN100

Material	stainless steel (1.4404 / 316L)
Nominal diameter	DN100 (4")
Sensor connection	ifm-specific device flange
Process connection	aseptic flange DIN 11864-2A
Process connection suitable for pipe standard	(DIN EN 10357 series A); (DIN 11866 series A); (DIN 11850 series 2)
Surface characteristics Ra/Rz of the wetted parts	Ra < 0.4 µm

Accessories

Items supplied	screws 12
----------------	-----------

Remarks

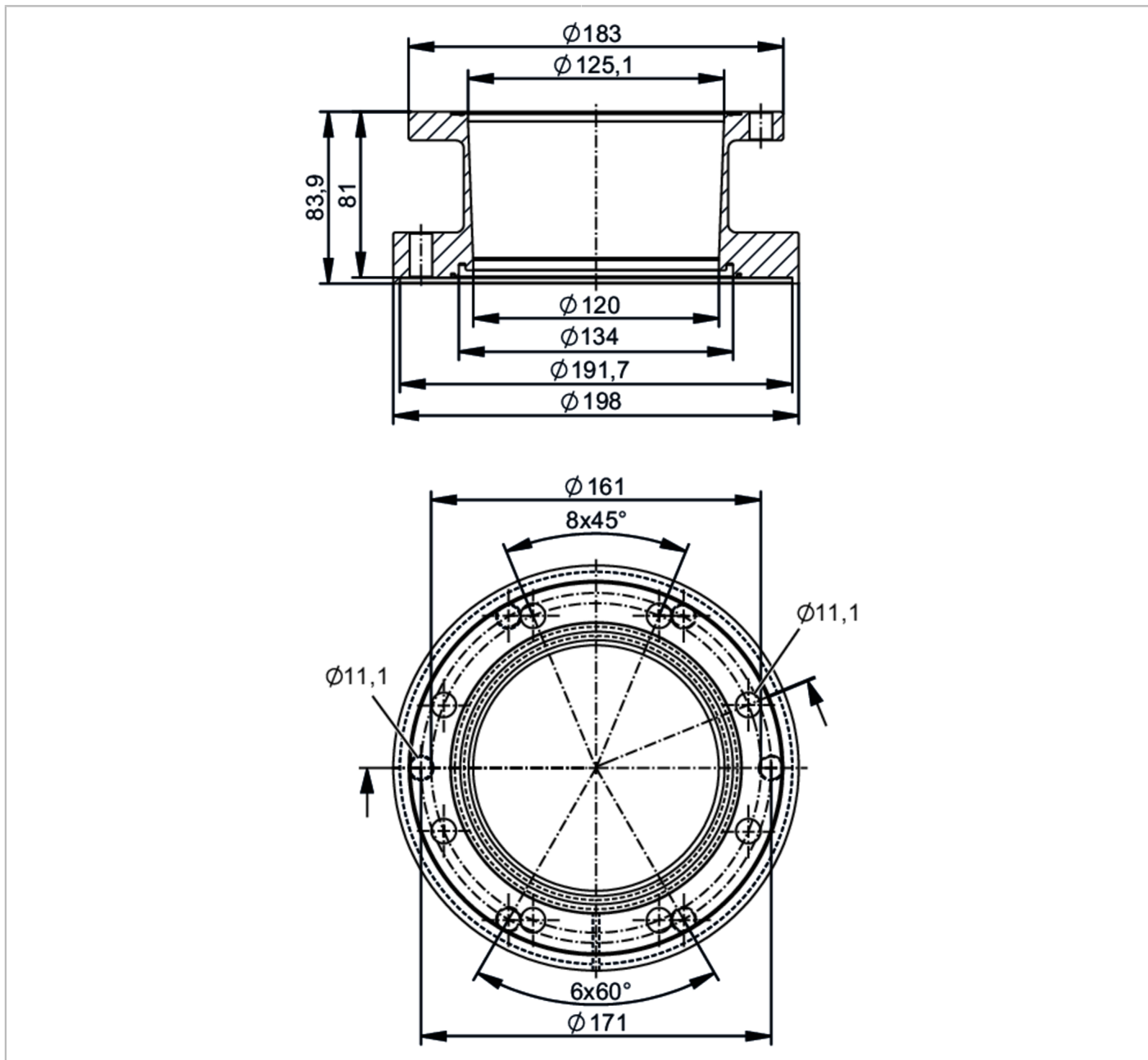
Pack quantity	2 pcs.
---------------	--------

E40527



Process adapters aseptic flange DIN11864-2A

ADAPT DIN11864-2A DN125



Application	
Design	for flow meter SMF
Application	food and beverage industry; hygienic systems
Pressure rating	10 bar 1 MPa
Tests / approvals	
Pressure equipment directive	A possible classification to PED depends on the application and has to be carried out by the user / operator.
Safety instructions	The compatibility between medium and product material has to be checked in all applications.
Mechanical data	
Weight	[g] 10970

E40527



Process adapters aseptic flange DIN11864-2A

ADAPT DIN11864-2A DN125

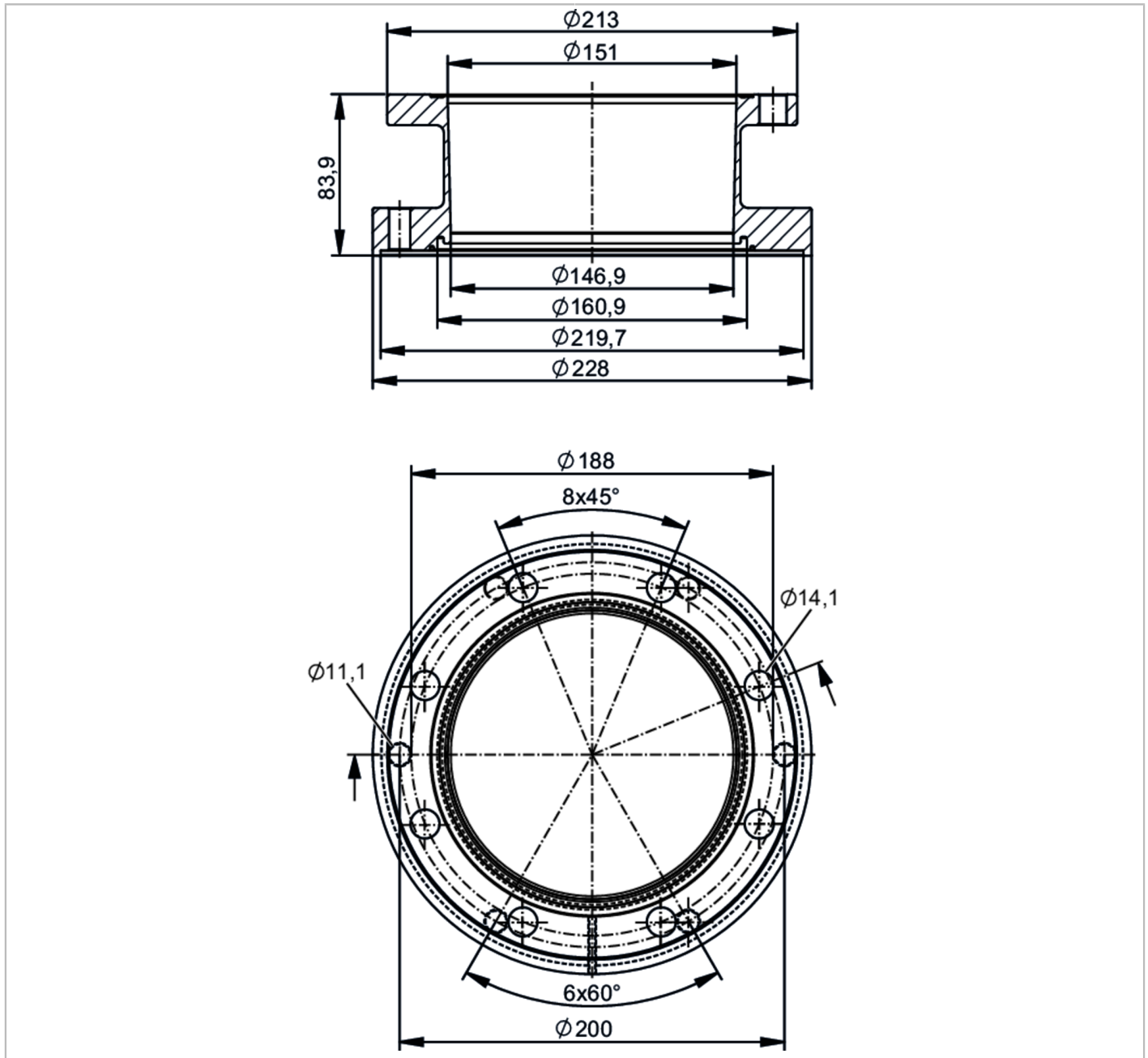
Housing	tubular
Dimensions [mm]	Ø 198 / L = 83.9
Material	stainless steel (1.4404 / 316L)
Nominal diameter	DN125 (5")
Sensor connection	ifm-specific device flange
Process connection	aseptic flange DIN 11864-2A
Process connection suitable for pipe standard	(DIN EN 10357 series A); (DIN 11866 series A); (DIN 11850 series 2)
Surface characteristics Ra/Rz of the wetted parts	Ra < 0.4 µm
Accessories	
Items supplied	screws 12
Remarks	
Pack quantity	2 pcs.

E40528



Process adapters aseptic flange DIN11864-2A

ADAPT DIN11864-2A DN150



Application	
Design	for flow meter SMF
Application	food and beverage industry; hygienic systems
Pressure rating	10 bar 1 MPa
Tests / approvals	
Pressure equipment directive	A possible classification to PED depends on the application and has to be carried out by the user / operator.
Safety instructions	The compatibility between medium and product material has to be checked in all applications.

E40528



Process adapters aseptic flange DIN11864-2A

ADAPT DIN11864-2A DN150

Mechanical data	
Weight [g]	14919.9
Housing	tubular
Dimensions [mm]	Ø 228 / L = 83.9
Material	stainless steel (1.4404 / 316L)
Nominal diameter	DN150 (6")
Sensor connection	ifm-specific device flange
Process connection	aseptic flange DIN 11864-2A
Process connection suitable for pipe standard	(DIN EN 10357 series A); (DIN 11866 series A); (DIN 11850 series 2)
Surface characteristics Ra/Rz of the wetted parts	Ra < 0.4 µm
Accessories	
Items supplied	screws 12
Remarks	
Pack quantity	2 pcs.