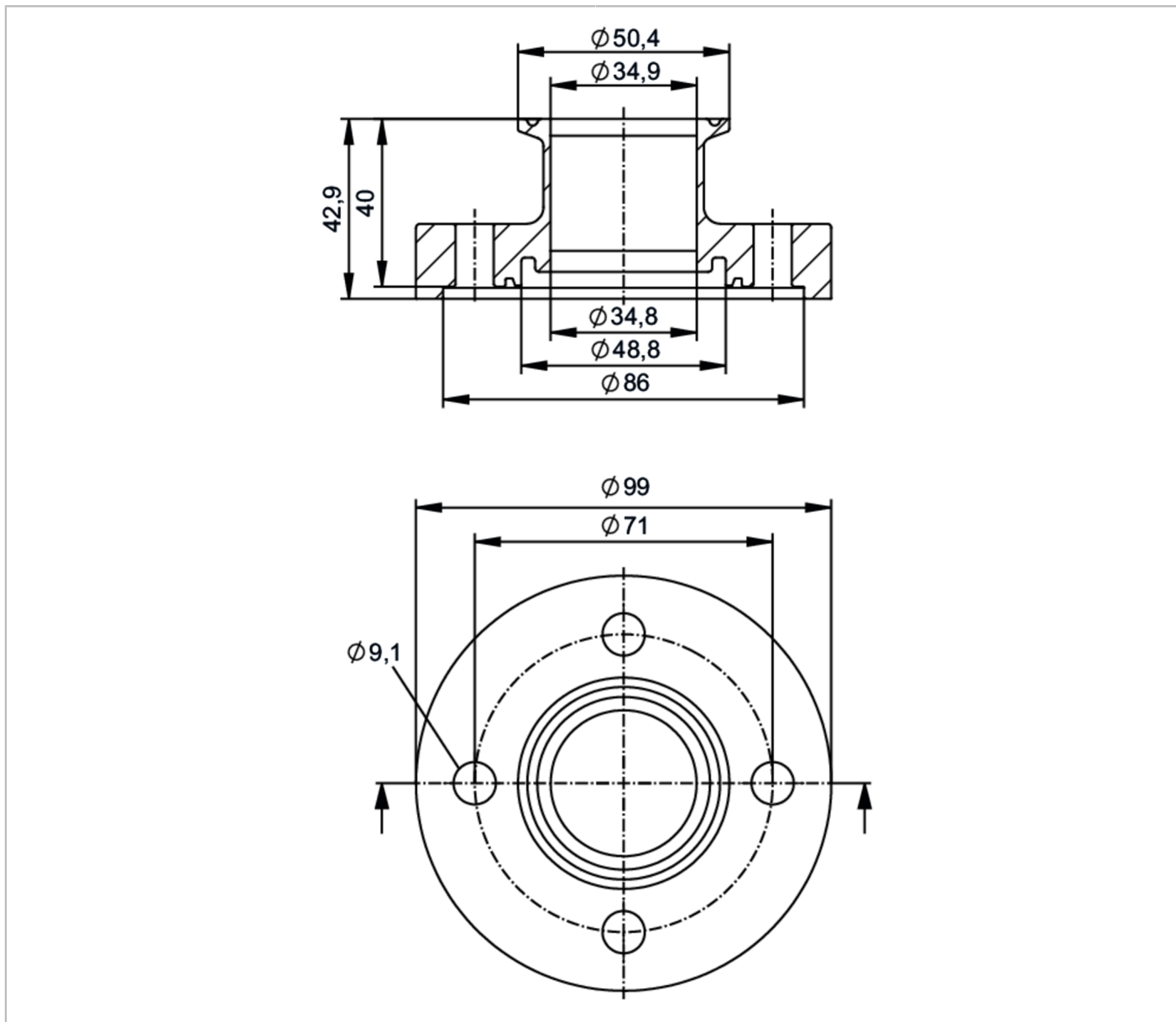


# E40612



## Process adapters clamp DIN 32676 series C (ASME BPE)

ADAPT DIN32676-C DN40



EC 1935/2004 FCM FDA

Application	
Design	for flow meter SMF
Application	food and beverage industry; hygienic systems
Pressure rating	16 bar 1.6 MPa
Tests / approvals	
Pressure equipment directive	A possible classification to PED depends on the application and has to be carried out by the user / operator.
Safety instructions	The compatibility between medium and product material has to be checked in all applications.
Mechanical data	
Weight [g]	2399.4
Housing	tubular
Dimensions [mm]	Ø 99 / L = 42.9

# E40612



## Process adapters clamp DIN 32676 series C (ASME BPE)

ADAPT DIN32676-C DN40

Material	stainless steel (1.4404 / 316L)
Nominal diameter	DN40 (1 1/2")
Sensor connection	ifm-specific device flange
Process connection	Clamp DIN 32676 series C (ASME BPE)
Process connection suitable for pipe standard	(DIN EN 10357 series C); (DIN 11866 series C); (BS 4825 Part 1); (ISO 2037)
Surface characteristics Ra/Rz of the wetted parts	Ra < 0.4 µm

### Accessories

Items supplied	screws 8
----------------	----------

### Remarks

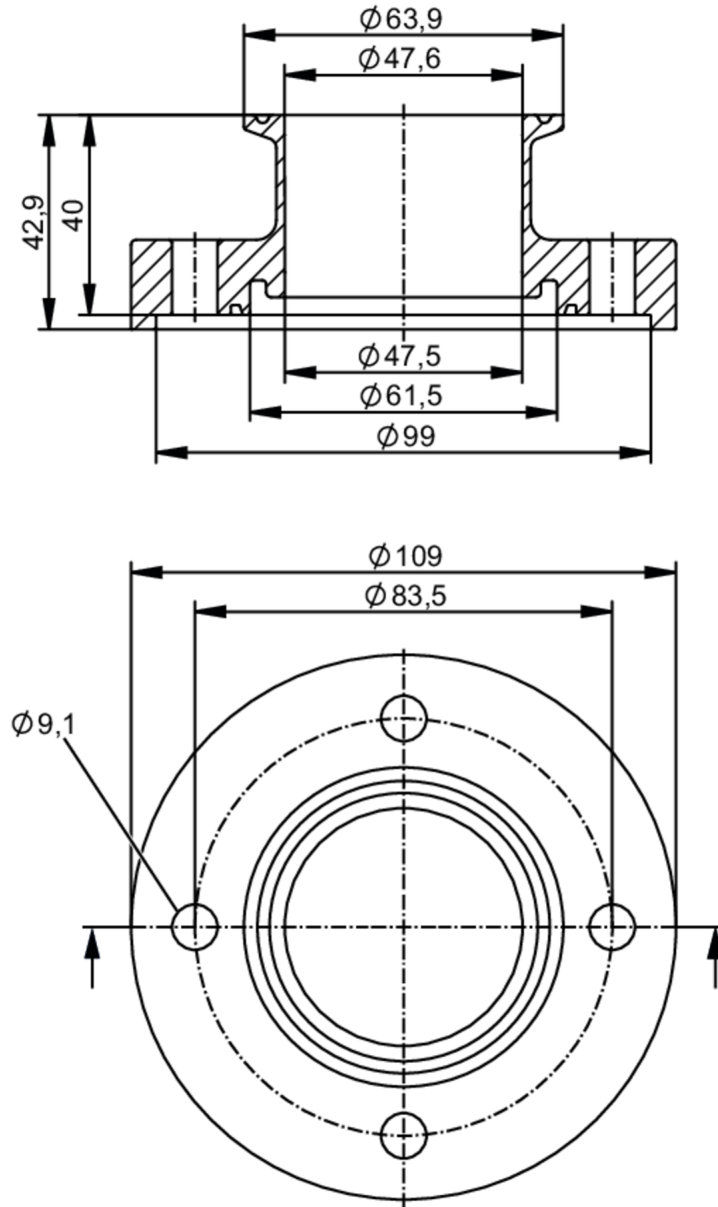
Pack quantity	2 pcs.
---------------	--------

# E40613



## Process adapters clamp DIN 32676 series C (ASME BPE)

ADAPT DIN32676-C DN50



Application	
Design	for flow meter SMF
Application	food and beverage industry; hygienic systems
Pressure rating	16 bar 1.6 MPa
Tests / approvals	
Pressure equipment directive	A possible classification to PED depends on the application and has to be carried out by the user / operator.
Safety instructions	The compatibility between medium and product material has to be checked in all applications.
Mechanical data	
Weight	[g] 2611.2

# E40613



## Process adapters clamp DIN 32676 series C (ASME BPE)

ADAPT DIN32676-C DN50

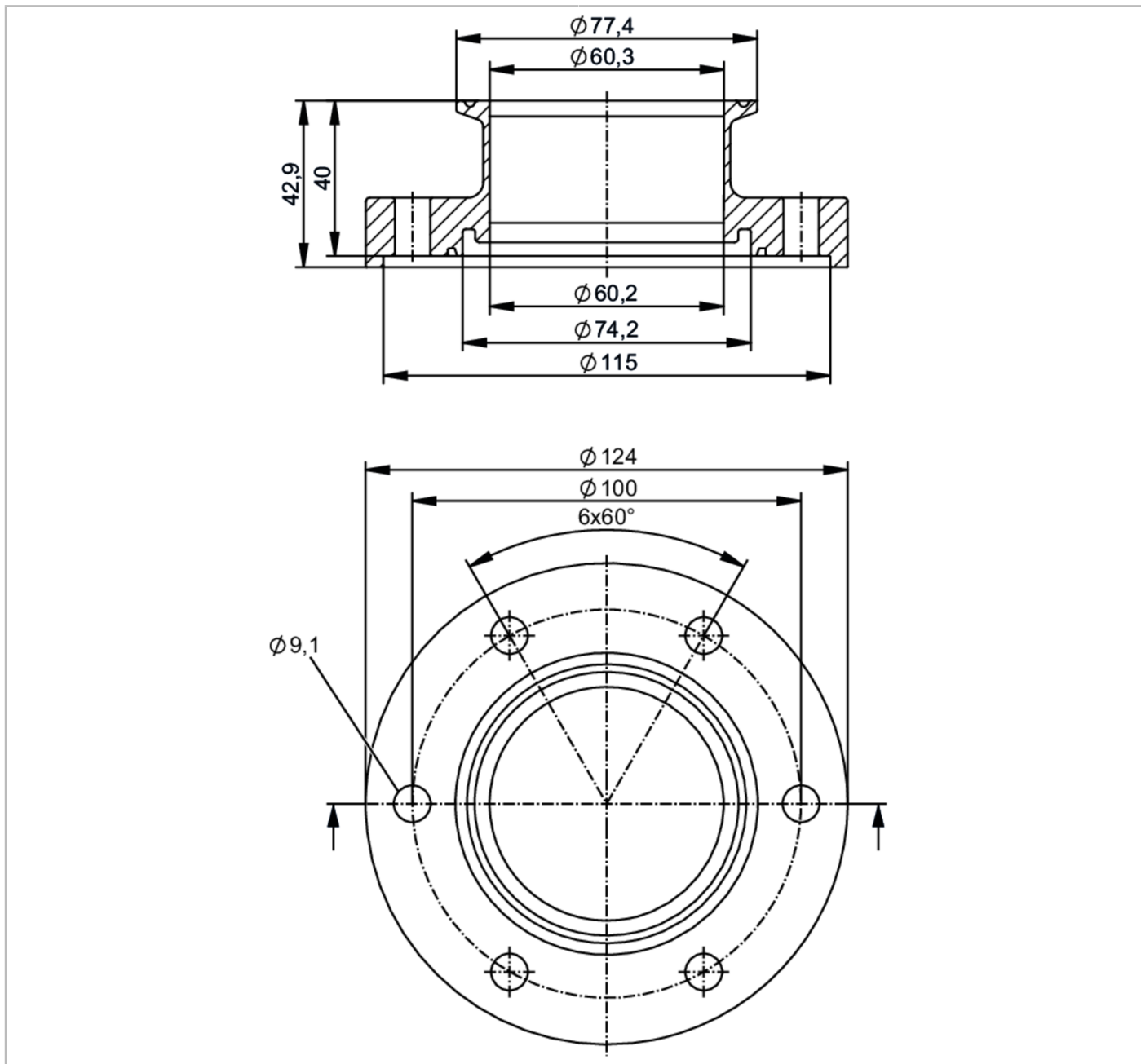
Housing	tubular
Dimensions [mm]	Ø 109 / L = 42.9
Material	stainless steel (1.4404 / 316L)
Nominal diameter	DN50 (2")
Sensor connection	ifm-specific device flange
Process connection	Clamp DIN 32676 series C (ASME BPE)
Process connection suitable for pipe standard	(DIN EN 10357 series C); (DIN 11866 series C); (BS 4825 Part 1)
Surface characteristics Ra/Rz of the wetted parts	Ra < 0.4 µm
<b>Accessories</b>	
Items supplied	screws 8
<b>Remarks</b>	
Pack quantity	2 pcs.

# E40614



## Process adapters clamp DIN 32676 series C (ASME BPE)

ADAPT DIN32676-C DN65



Application	
Design	for flow meter SMF
Application	food and beverage industry; hygienic systems
Pressure rating	16 bar 1.6 MPa
Tests / approvals	
Pressure equipment directive	A possible classification to PED depends on the application and has to be carried out by the user / operator.
Safety instructions	The compatibility between medium and product material has to be checked in all applications.

# E40614



## Process adapters clamp DIN 32676 series C (ASME BPE)

ADAPT DIN32676-C DN65

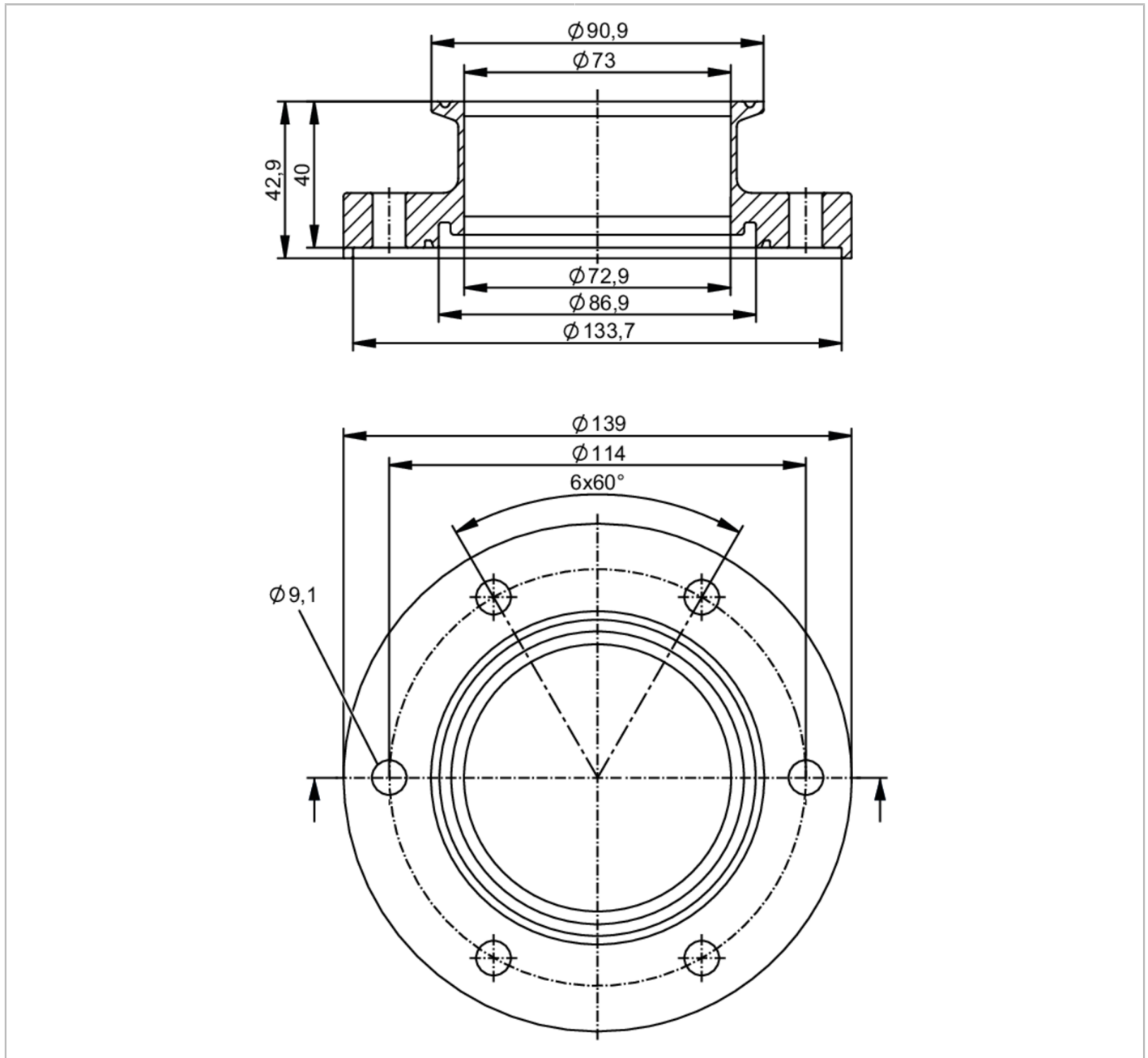
Mechanical data	
Weight [g]	3488.2
Housing	tubular
Dimensions [mm]	Ø 124 / L = 42.9
Material	stainless steel (1.4404 / 316L)
Nominal diameter	DN65 (2 1/2")
Sensor connection	ifm-specific device flange
Process connection	Clamp DIN 32676 series C (ASME BPE)
Process connection suitable for pipe standard	(DIN EN 10357 series C); (DIN EN 10357 series D); (DIN 11866 series C); (BS 4825 Part 1); (ISO 2037)
Surface characteristics Ra/Rz of the wetted parts	Ra < 0.4 µm
Accessories	
Items supplied	screws 12
Remarks	
Pack quantity	2 pcs.

# E40615



## Process adapters clamp DIN 32676 series C (ASME BPE)

ADAPT DIN32676-C DN80



Application	
Design	for flow meter SMF
Application	food and beverage industry; hygienic systems
Pressure rating	10 bar 1 MPa
Tests / approvals	
Pressure equipment directive	A possible classification to PED depends on the application and has to be carried out by the user / operator.
Safety instructions	The compatibility between medium and product material has to be checked in all applications.

# E40615



## Process adapters clamp DIN 32676 series C (ASME BPE)

ADAPT DIN32676-C DN80

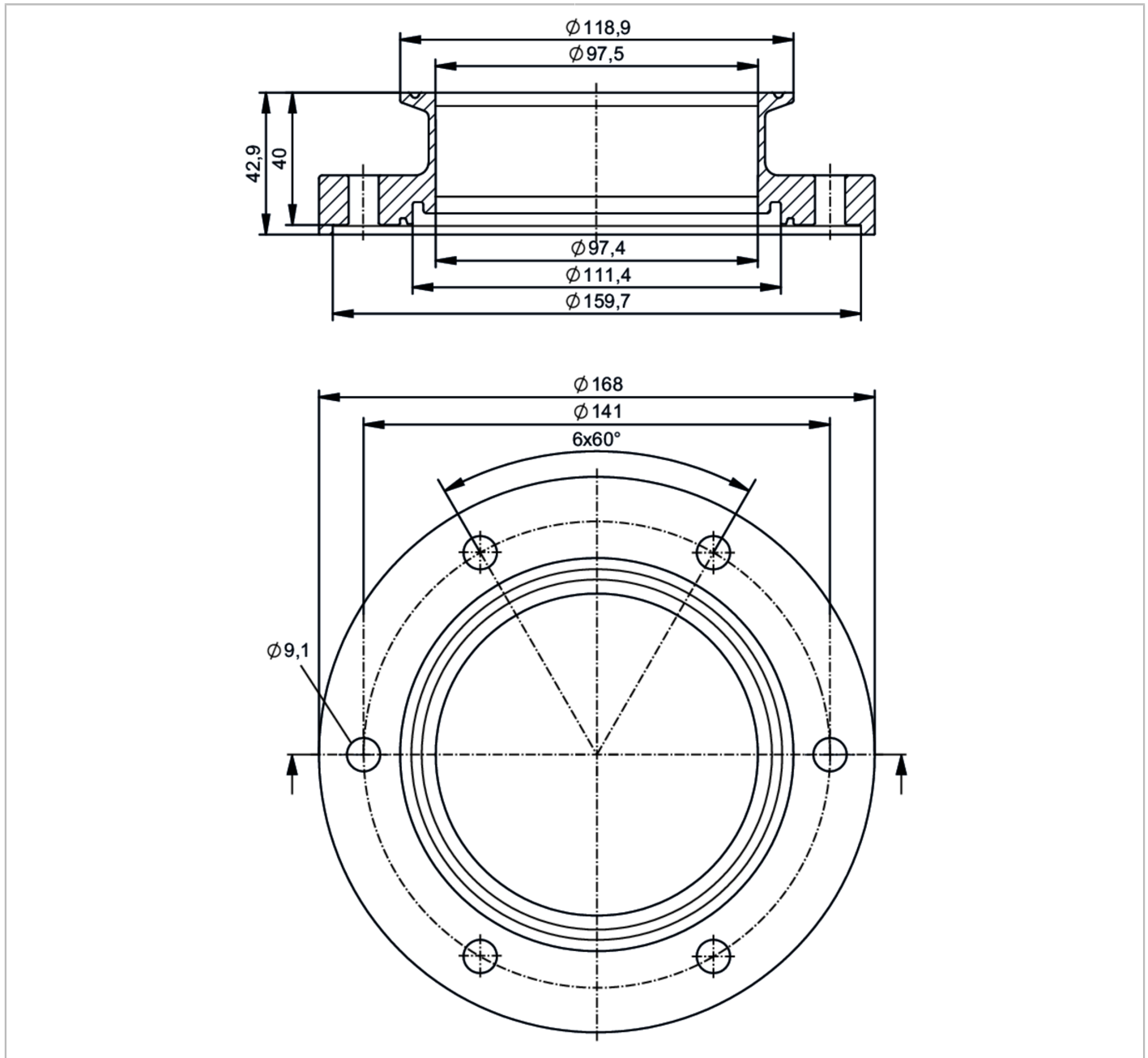
Mechanical data	
Weight [g]	3897.9
Housing	tubular
Dimensions [mm]	Ø 139 / L = 42.9
Material	stainless steel (1.4404 / 316L)
Nominal diameter	DN80 (3")
Sensor connection	ifm-specific device flange
Process connection	Clamp DIN 32676 series C (ASME BPE)
Process connection suitable for pipe standard	(DIN EN 10357 series C); (DIN EN 10357 series D); (DIN 11866 series C); (BS 4825 Part 1); (ISO 2037)
Surface characteristics Ra/Rz of the wetted parts	Ra < 0.4 µm
Accessories	
Items supplied	screws 12
Remarks	
Pack quantity	2 pcs.

# E40616



## Process adapters clamp DIN 32676 series C (ASME BPE)

ADAPT DIN32676-C DN100



Application	
Design	for flow meter SMF
Application	food and beverage industry; hygienic systems
Pressure rating	10 bar 1 MPa
Tests / approvals	
Pressure equipment directive	A possible classification to PED depends on the application and has to be carried out by the user / operator.
Safety instructions	The compatibility between medium and product material has to be checked in all applications.

# E40616



## Process adapters clamp DIN 32676 series C (ASME BPE)

ADAPT DIN32676-C DN100

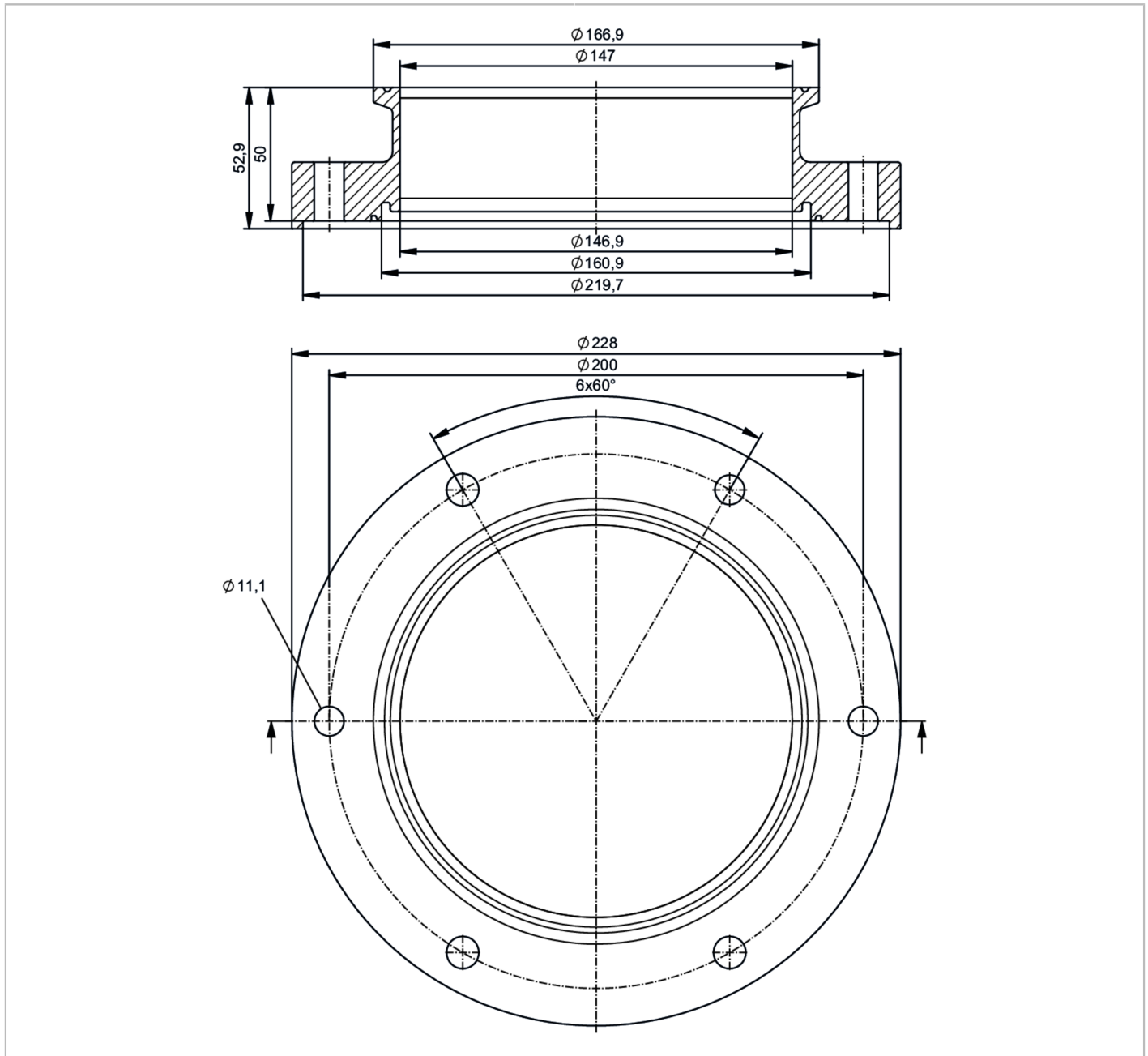
Mechanical data	
Weight [g]	4937.8
Housing	tubular
Dimensions [mm]	Ø 168 / L = 42.9
Material	stainless steel (1.4404 / 316L)
Nominal diameter	DN100 (4")
Sensor connection	ifm-specific device flange
Process connection	Clamp DIN 32676 series C (ASME BPE)
Process connection suitable for pipe standard	(DIN EN 10357 series C); (DIN EN 10357 series D); (DIN 11866 series C); (BS 4825 Part 1); (ISO 2037)
Surface characteristics Ra/Rz of the wetted parts	Ra < 0.4 µm
Accessories	
Items supplied	screws 12
Remarks	
Pack quantity	2 pcs.

# E40618



## Process adapters clamp DIN 32676 series C (ASME BPE)

ADAPT DIN32676-C DN150



Application	
Design	for flow meter SMF
Application	food and beverage industry; hygienic systems
Pressure rating	10 bar 1 MPa
Tests / approvals	
Pressure equipment directive	A possible classification to PED depends on the application and has to be carried out by the user / operator.
Safety instructions	The compatibility between medium and product material has to be checked in all applications.

# E40618



## Process adapters clamp DIN 32676 series C (ASME BPE)

ADAPT DIN32676-C DN150

Mechanical data	
Weight [g]	10949
Housing	tubular
Dimensions [mm]	Ø 228 / L = 52.9
Material	stainless steel (1.4404 / 316L)
Nominal diameter	DN150 (6")
Sensor connection	ifm-specific device flange
Process connection	Clamp DIN 32676 series C (ASME BPE)
Process connection suitable for pipe standard	(DIN 11866 series C); (DIN EN 10357 series C)
Surface characteristics Ra/Rz of the wetted parts	Ra < 0.4 µm
Accessories	
Items supplied	screws 12
Remarks	
Pack quantity	2 pcs.