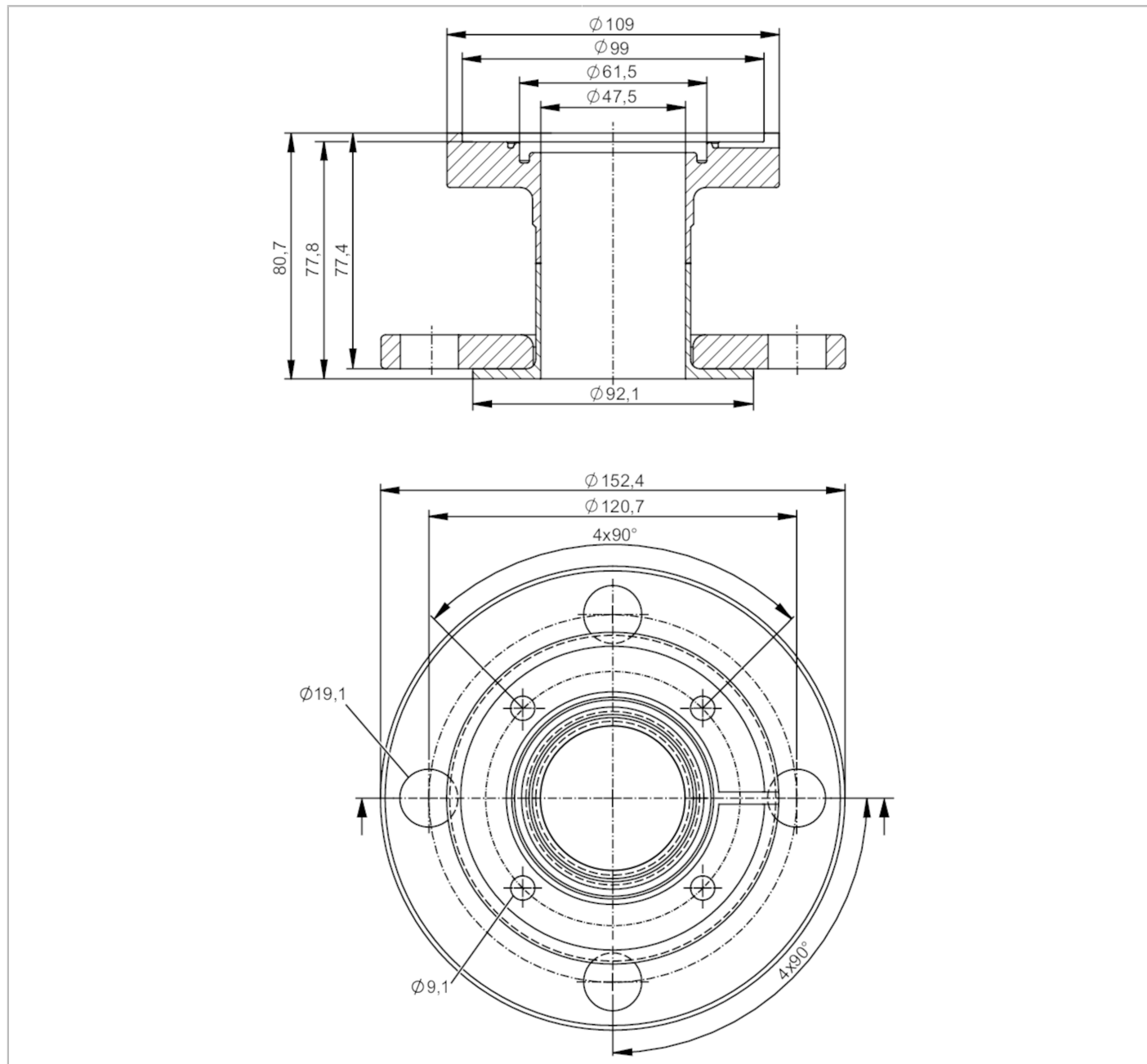


# ZH4372



## Process adapter with Class 150 ASME B16.5 lap joint flange

ADAPT 2" CLASS 150 ANSI B16.5



Application	
Design	for flow meter SMF4xx
Application	for industrial water systems
Pressure rating	16 bar 1.6 MPa
Tests / approvals	
Safety instructions	The compatibility between medium and product material has to be checked in all applications.
Mechanical data	
Weight [g]	4854.2
Housing	tubular
Dimensions [mm]	Ø 152.4 / L = 80.7
Material	stainless steel (1.4404 / 316L)

# ZH4372



## Process adapter with Class 150 ASME B16.5 lap joint flange

ADAPT 2" CLASS 150 ANSI B16.5

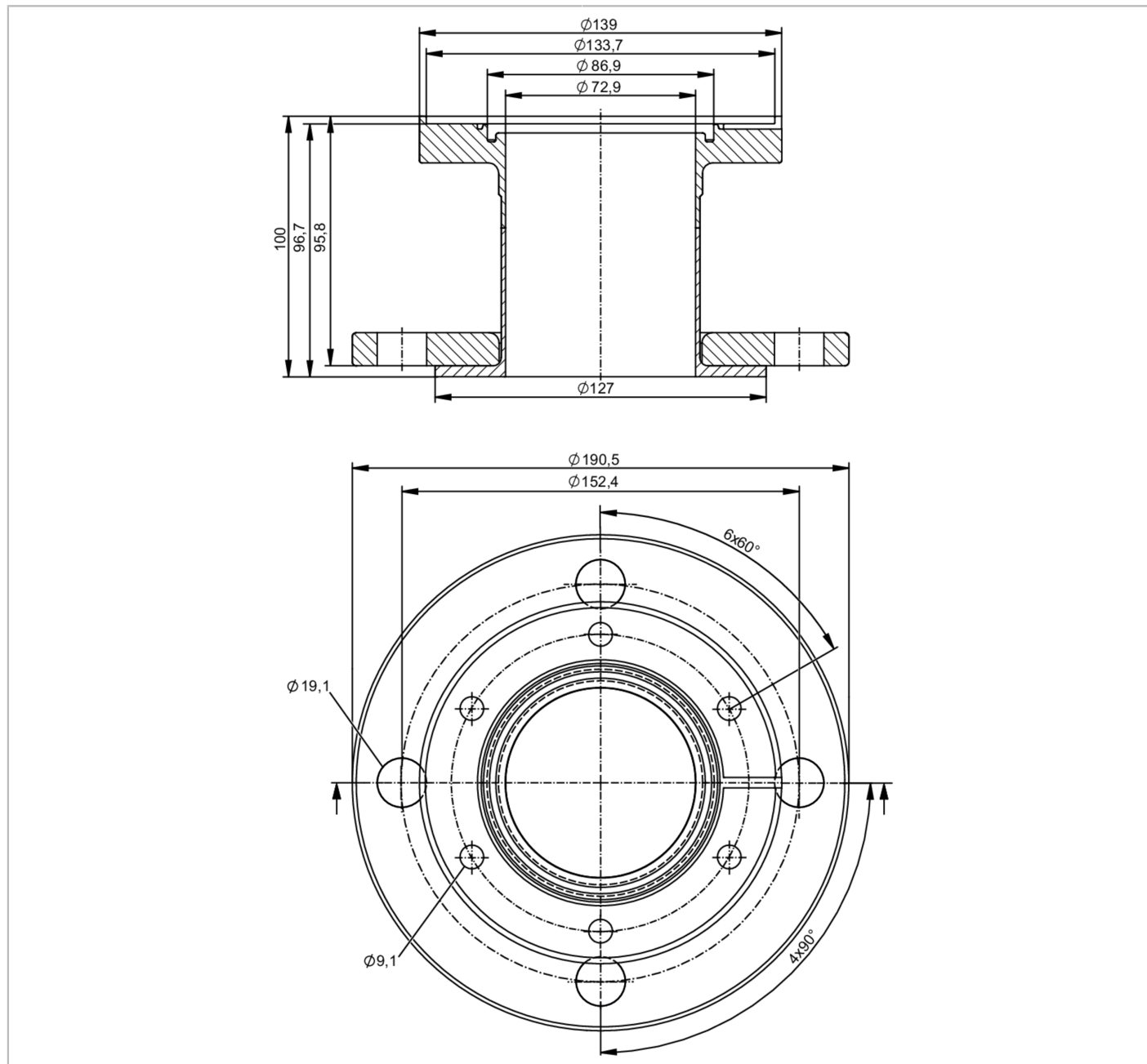
Nominal diameter	DN50 (2")
Sensor connection	ifm-specific device flange
Process connection	Cl.150 lap joint flange, ASME B16.5
Process connection suitable for pipe standard	(ASME B16.5)
<b>Accessories</b>	
Items supplied	screws 8
<b>Remarks</b>	
Pack quantity	2 pcs.

# ZH4373



## Process adapter with Class 150 ASME B16.5 lap joint flange

ADAPT 3" CLASS 150 ANSI B16.5



Application	
Design	for flow meter SMF6xx
Application	for industrial water systems
Pressure rating	16 bar 1.6 MPa
Tests / approvals	
Safety instructions	The compatibility between medium and product material has to be checked in all applications.
Mechanical data	
Weight [g]	7982
Housing	tubular
Dimensions [mm]	Ø 190.5 / L = 100
Material	stainless steel (1.4404 / 316L)

# ZH4373



## Process adapter with Class 150 ASME B16.5 lap joint flange

ADAPT 3" CLASS 150 ANSI B16.5

Nominal diameter	DN80 (3")
Sensor connection	ifm-specific device flange
Process connection	Cl.150 lap joint flange, ASME B16.5
Process connection suitable for pipe standard	(ASME B16.5)
<b>Accessories</b>	
Items supplied	screws 12
<b>Remarks</b>	
Pack quantity	2 pcs.