

# PT500E



## Pressure transmitter

PT-400-SEG14-A-ZVG/US



1 sealing



### Product characteristics

|                              |   |              |            |
|------------------------------|---|--------------|------------|
| Number of inputs and outputs | Number of analog outputs: 1                                   |              |            |
| Measuring range              | 0...400 bar   | 0...5800 psi | 0...40 MPa |
| Process connection           | threaded connection G 1/4 external thread (DIN EN ISO 1179-2) |              |            |

### Application

|                         |                         |           |         |
|-------------------------|-------------------------|-----------|---------|
| Application             | for mobile applications |           |         |
| Media                   | liquids and gases       |           |         |
| Medium temperature [°C] | -40...125               |           |         |
| Min. burst pressure     | 1700 bar                | 24655 psi | 170 MPa |
| Pressure rating         | 1000 bar                | 14500 psi | 100 MPa |
| Note on pressure rating | static                  |           |         |
| Vacuum resistance       | -1000 mbar              | -0.1 MPa  |         |
| Type of pressure        | relative pressure       |           |         |

### Electrical data

|                                 |                 |  |  |
|---------------------------------|-----------------|--|--|
| Operating voltage [V]           | 8...32 DC       |  |  |
| Min. insulation resistance [MΩ] | 100; (500 V DC) |  |  |
| Protection class                | III             |  |  |
| Reverse polarity protection     | yes             |  |  |
| Power-on delay time [s]         | < 0.1           |  |  |

### Inputs / outputs

|                              |                             |  |  |
|------------------------------|-----------------------------|--|--|
| Number of inputs and outputs | Number of analog outputs: 1 |  |  |
|------------------------------|-----------------------------|--|--|

### Outputs

|                            |   |  |  |
|----------------------------|---|--|--|
| Total number of outputs    | 1   |  |  |
| Output signal              | analog signal   |  |  |
| Number of analog outputs   | 1   |  |  |
| Analog current output [mA] | 4...20  |  |  |
| Max. load [Ω]              | (U <sub>b</sub> - 8 V) / 21,5 mA; @8V = 0 Ω; @12V max. 200 Ω; @24V max. 750 Ω |  |  |
| Short-circuit proof        | yes   |  |  |

# PT500E



## Pressure transmitter

PT-400-SEG14-A-ZVG/US

|   |   |                     |            |
|---|---|---------------------|------------|
| Overload protection                                       | yes   |                     |            |
| <b>Measuring/setting range</b>                            |   |                     |            |
| Measuring range   | 0...400 bar   | 0...5800 psi        | 0...40 MPa |
| <b>Accuracy / deviations</b>                              |   |                     |            |
| Repeatability [% of the span]                             | < ± 0,05; (with temperature fluctuations < 10 K)  |                     |            |
| Characteristics deviation [% of the span]                 | < ± 0,8; (incl. drift when overtightened, zero point and span error, non-linearity, hysteresis) |                     |            |
| Linearity deviation [% of the span]                       | < ± 0,25 (BFSL) / < ± 0,5 (LS)  |                     |            |
| Hysteresis deviation [% of the span]                      | < ± 0,2   |                     |            |
| Long-term stability [% of the span]                       | < ± 0,1; (per 6 months)   |                     |            |
| Temperature coefficient zero point [% of the span / 10 K] | < ± 0,1 (0...80 °C); < ± 0,2 (-40...0 °C / 80...125 °C)   |                     |            |
| Temperature coefficient span [% of the span / 10 K]       | < ± 0,1 (0...80 °C); < ± 0,2 (-40...0 °C / 80...125 °C)   |                     |            |
| <b>Reaction times</b>                                     |   |                     |            |
| Step response time analog output [ms]                     | 2   |                     |            |
| <b>Operating conditions</b>                               |   |                     |            |
| Ambient temperature [°C]                                  | -40...100   |                     |            |
| Storage temperature [°C]                                  | -40...100   |                     |            |
| Protection  | IP 67; IP 69K   |                     |            |
| <b>Tests / approvals</b>                                  |   |                     |            |
| EMC   | noise immunity according to UN ECE R10, rev. 6  |                     |            |
|   | ISO 11452-2   | 100 V/m             |            |
|   | DIN EN 61326-1  |                     |            |
| Shock resistance  | DIN EN 60068-2-27   | 500 g (1 ms)        |            |
| Vibration resistance                                      | DIN EN 60068-2-6  | 20 g (10...2000 Hz) |            |
| MTTF [years]  | 711   |                     |            |
| Pressure equipment directive                              | sound engineering practice; can be used for group 2 fluids; group 1 fluids on request           |                     |            |
| <b>Mechanical data</b>                                    |   |                     |            |
| Weight [g]  | 59.2  |                     |            |
| Housing   | tubular   |                     |            |
| Dimensions [mm]   | Ø 19 / L = 66   |                     |            |
| Material  | stainless steel (630/1.4542/17-4 PH); stainless steel (1.4404 / 316L); PEI                      |                     |            |
| Materials (wetted parts)                                  | stainless steel (630/1.4542/17-4 PH)  |                     |            |
| Min. pressure cycles                                      | 60 million; (at 1.2 times nominal pressure)   |                     |            |
| Tightening torque [Nm]                                    | 25...35; (recommended tightening torque; Depends on lubrication, seal and pressure rating)      |                     |            |
| Process connection  | threaded connection G 1/4 external thread (DIN EN ISO 1179-2)                                   |                     |            |
| Process connection sealing                                | HNBR (DIN EN ISO 1179-2)  |                     |            |
| Restrictor element integrated                             | yes   |                     |            |

# PT500E



## Pressure transmitter

PT-400-SEG14-A-ZVG/US

### Remarks

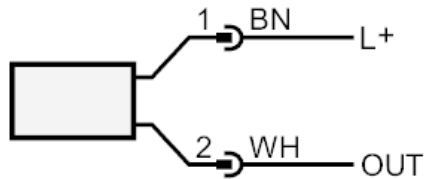
|               |   |
|---------------|---|
| Remarks       | BFSL = Best Fit Straight Line<br>LS = limit value setting |
| Pack quantity | 1 pcs.  |

### Electrical connection

Connector: 1 x M12; coding: A



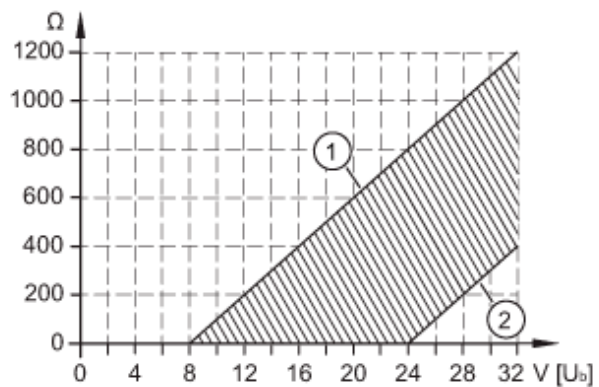
### Connection



OUT            analog output  
                 Colors to DIN EN 60947-5-2  
                 Core colors :  
BN =            brown  
WH =            white

### Diagrams and graphs

Characteristic load curve current output



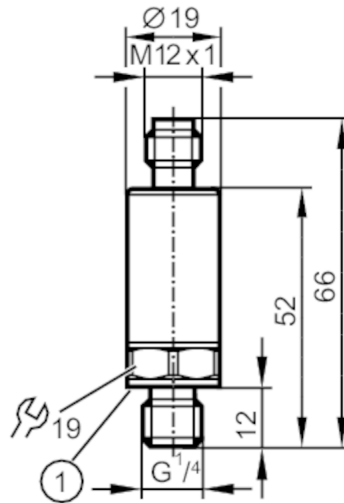
1: Max. load  
2: Min. load

# PT501E



## Pressure transmitter

PT-250-SEG14-A-ZVG/US



1 sealing



### Product characteristics

|                              |   |              |            |
|------------------------------|---|--------------|------------|
| Number of inputs and outputs | Number of analog outputs: 1                                   |              |            |
| Measuring range              | 0...250 bar   | 0...3625 psi | 0...25 MPa |
| Process connection           | threaded connection G 1/4 external thread (DIN EN ISO 1179-2) |              |            |

### Application

|                         |                         |           |          |
|-------------------------|-------------------------|-----------|----------|
| Application             | for mobile applications |           |          |
| Media                   | liquids and gases       |           |          |
| Medium temperature [°C] | -40...125               |           |          |
| Min. burst pressure     | 1200 bar                | 17400 psi | 120 MPa  |
| Pressure rating         | 625 bar                 | 9060 psi  | 62.5 MPa |
| Note on pressure rating | static                  |           |          |
| Vacuum resistance       | -1000 mbar              | -0.1 MPa  |          |
| Type of pressure        | relative pressure       |           |          |

### Electrical data

|                                 |                 |  |  |
|---------------------------------|-----------------|--|--|
| Operating voltage [V]           | 8...32 DC       |  |  |
| Min. insulation resistance [MΩ] | 100; (500 V DC) |  |  |
| Protection class                | III             |  |  |
| Reverse polarity protection     | yes             |  |  |
| Power-on delay time [s]         | < 0.1           |  |  |

### Inputs / outputs

|                              |                             |  |  |
|------------------------------|-----------------------------|--|--|
| Number of inputs and outputs | Number of analog outputs: 1 |  |  |
|------------------------------|-----------------------------|--|--|

### Outputs

|                            |   |  |  |
|----------------------------|---|--|--|
| Total number of outputs    | 1   |  |  |
| Output signal              | analog signal   |  |  |
| Number of analog outputs   | 1   |  |  |
| Analog current output [mA] | 4...20  |  |  |
| Max. load [Ω]              | (U <sub>b</sub> - 8 V) / 21,5 mA; @8V = 0 Ω; @12V max. 200 Ω; @24V max. 750 Ω |  |  |
| Short-circuit proof        | yes   |  |  |

# PT501E



## Pressure transmitter

PT-250-SEG14-A-ZVG/US

|   |   |                     |            |
|---|---|---------------------|------------|
| Overload protection                                       | yes   |                     |            |
| <b>Measuring/setting range</b>                            |   |                     |            |
| Measuring range   | 0...250 bar   | 0...3625 psi        | 0...25 MPa |
| <b>Accuracy / deviations</b>                              |   |                     |            |
| Repeatability [% of the span]                             | < ± 0,05; (with temperature fluctuations < 10 K)  |                     |            |
| Characteristics deviation [% of the span]                 | < ± 0,8; (incl. drift when overtightened, zero point and span error, non-linearity, hysteresis) |                     |            |
| Linearity deviation [% of the span]                       | < ± 0,25 (BFSL) / < ± 0,5 (LS)  |                     |            |
| Hysteresis deviation [% of the span]                      | < ± 0,2   |                     |            |
| Long-term stability [% of the span]                       | < ± 0,1; (per 6 months)   |                     |            |
| Temperature coefficient zero point [% of the span / 10 K] | < ± 0,1 (0...80 °C); < ± 0,2 (-40...0 °C / 80...125 °C)   |                     |            |
| Temperature coefficient span [% of the span / 10 K]       | < ± 0,1 (0...80 °C); < ± 0,2 (-40...0 °C / 80...125 °C)   |                     |            |
| <b>Reaction times</b>                                     |   |                     |            |
| Step response time analog output [ms]                     | 2   |                     |            |
| <b>Operating conditions</b>                               |   |                     |            |
| Ambient temperature [°C]                                  | -40...100   |                     |            |
| Storage temperature [°C]                                  | -40...100   |                     |            |
| Protection  | IP 67; IP 69K   |                     |            |
| <b>Tests / approvals</b>                                  |   |                     |            |
| EMC   | noise immunity according to UN ECE R10, rev. 6  |                     |            |
|   | ISO 11452-2   | 100 V/m             |            |
|   | DIN EN 61326-1  |                     |            |
| Shock resistance  | DIN EN 60068-2-27   | 500 g (1 ms)        |            |
| Vibration resistance                                      | DIN EN 60068-2-6  | 20 g (10...2000 Hz) |            |
| MTTF [years]  | 711   |                     |            |
| Pressure equipment directive                              | sound engineering practice; can be used for group 2 fluids; group 1 fluids on request           |                     |            |
| <b>Mechanical data</b>                                    |   |                     |            |
| Weight [g]  | 59.2  |                     |            |
| Housing   | tubular   |                     |            |
| Dimensions [mm]   | Ø 19 / L = 66   |                     |            |
| Material  | stainless steel (630/1.4542/17-4 PH); stainless steel (1.4404 / 316L); PEI                      |                     |            |
| Materials (wetted parts)                                  | stainless steel (630/1.4542/17-4 PH)  |                     |            |
| Min. pressure cycles                                      | 60 million; (at 1.2 times nominal pressure)   |                     |            |
| Tightening torque [Nm]                                    | 25...35; (recommended tightening torque; Depends on lubrication, seal and pressure rating)      |                     |            |
| Process connection  | threaded connection G 1/4 external thread (DIN EN ISO 1179-2)                                   |                     |            |
| Process connection sealing                                | HNBR (DIN EN ISO 1179-2)  |                     |            |
| Restrictor element integrated                             | yes   |                     |            |

# PT501E



## Pressure transmitter

PT-250-SEG14-A-ZVG/US

### Remarks

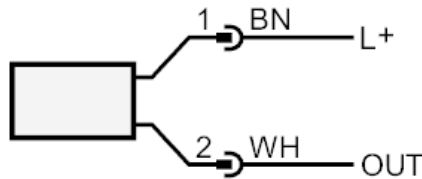
|               |   |
|---------------|---|
| Remarks       | BFSL = Best Fit Straight Line<br>LS = limit value setting |
| Pack quantity | 1 pcs.  |

### Electrical connection

Connector: 1 x M12; coding: A; Maximum cable length: 30 m



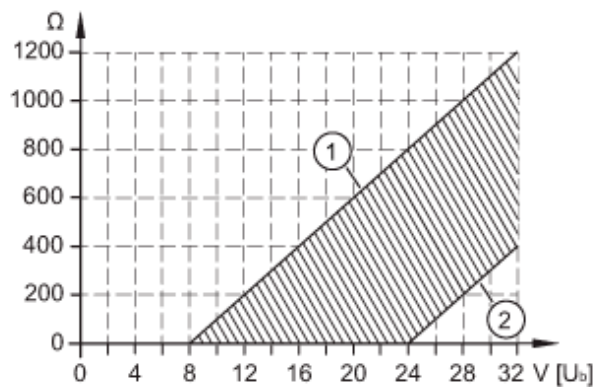
### Connection



OUT            analog output  
                 Colors to DIN EN 60947-5-2  
                 Core colors :  
BN =            brown  
WH =            white

### Diagrams and graphs

Characteristic load curve current output



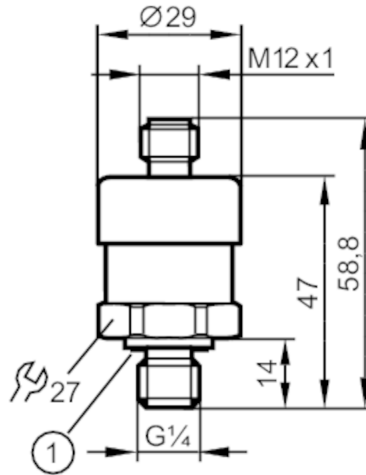
1: Max. load  
2: Min. load

# PT0504



## Pressure transmitter

PT-010-AFG14-A-ZVG/US



1 sealing



### Product characteristics

|                              |   |             |              |           |
|------------------------------|---|-------------|--------------|-----------|
| Number of inputs and outputs | Number of analog outputs: 1                                   |             |              |           |
| Measuring range              | 0...10 bar  | 0...145 psi | 0...1000 kPa | 0...1 MPa |
| Process connection           | threaded connection G 1/4 external thread (DIN EN ISO 1179-2) |             |              |           |

### Application

|                         |                             |         |          |       |
|-------------------------|-----------------------------|---------|----------|-------|
| Application             | for industrial applications |         |          |       |
| Media                   | liquids and gases           |         |          |       |
| Medium temperature [°C] | 0...80                      |         |          |       |
| Min. burst pressure     | 50 bar                      | 725 psi | 5000 kPa | 5 MPa |
| Pressure rating         | 20 bar                      | 290 psi | 2000 kPa | 2 MPa |
| Type of pressure        | Absolute pressure           |         |          |       |

### Electrical data

|                                 |                 |  |  |  |
|---------------------------------|-----------------|--|--|--|
| Operating voltage [V]           | 8...30 DC       |  |  |  |
| Min. insulation resistance [MΩ] | 100; (500 V DC) |  |  |  |
| Protection class                | III             |  |  |  |
| Reverse polarity protection     | yes             |  |  |  |

### Inputs / outputs

|                              |                             |  |  |  |
|------------------------------|-----------------------------|--|--|--|
| Number of inputs and outputs | Number of analog outputs: 1 |  |  |  |
|------------------------------|-----------------------------|--|--|--|

### Outputs

|                            |  |  |  |  |
|----------------------------|--|--|--|--|
| Total number of outputs    | 1  |  |  |  |
| Output signal              | analog signal  |  |  |  |
| Number of analog outputs   | 1  |  |  |  |
| Analog current output [mA] | 4...20   |  |  |  |
| Max. load [Ω]              | 800; (U <sub>b</sub> = 24 V; (U <sub>b</sub> - 8 V) / 20 mA) |  |  |  |
| Short-circuit proof        | yes  |  |  |  |

### Measuring/setting range

|                 |            |             |              |           |
|-----------------|------------|-------------|--------------|-----------|
| Measuring range | 0...10 bar | 0...145 psi | 0...1000 kPa | 0...1 MPa |
|-----------------|------------|-------------|--------------|-----------|

# PT0504



## Pressure transmitter

PT-010-AFG14-A-ZVG/US

| Accuracy / deviations              |                        |  |
|------------------------------------|------------------------|--|
| Repeatability                      | [% of the span]        | < ± 0,05; (with temperature fluctuations < 10 K)   |
| Characteristics deviation          | [% of the span]        | < ± 1,0; (incl. zero point and span error, non-linearity, hysteresis)                      |
| Linearity deviation                | [% of the span]        | < ± 0,5 (BFSL) / < ± 1,0 (LS)  |
| Long-term stability                | [% of the span]        | < ± 0,1; (per year)  |
| Temperature coefficient zero point | [% of the span / 10 K] | < ± 0,2; (0...80 °C)   |
| Temperature coefficient span       | [% of the span / 10 K] | < ± 0,2; (0...80 °C)   |
| Reaction times                     |                        |  |
| Step response time analog output   | [ms]                   | 4  |
| Operating conditions               |                        |  |
| Ambient temperature                | [°C]                   | 0...80   |
| Storage temperature                | [°C]                   | -20...80   |
| Protection                         |                        | IP 67  |
| Tests / approvals                  |                        |  |
| EMC                                |                        | DIN EN 61326-1   |
| Shock resistance                   |                        | DIN EN 60068-2-27 500 g (1 ms)   |
| Vibration resistance               |                        | DIN EN 60068-2-6 10 g (10...2000 Hz)   |
| MTTF                               | [years]                | 815  |
| Pressure equipment directive       |                        | sound engineering practice; can be used for group 2 fluids; group 1 fluids on request      |
| Mechanical data                    |                        |  |
| Weight                             | [g]                    | 118.35   |
| Housing                            |                        | tubular  |
| Dimensions                         | [mm]                   | Ø 29 / L = 58.8  |
| Material                           |                        | stainless steel (1.4404 / 316L); HNBR; PA  |
| Materials (wetted parts)           |                        | stainless steel (1.4404 / 316L)  |
| Min. pressure cycles               |                        | 10 million   |
| Tightening torque                  | [Nm]                   | 25...35; (recommended tightening torque; Depends on lubrication, seal and pressure rating) |
| Process connection                 |                        | threaded connection G 1/4 external thread (DIN EN ISO 1179-2)                              |
| Process connection sealing         |                        | NBR (DIN EN ISO 1179-2)  |
| Fill fluid for pressure transfer   |                        | synthetic oil  |
| Restrictor element integrated      |                        | no   |
| Remarks                            |                        |  |
| Remarks                            |                        | BFSL = Best Fit Straight Line<br>LS = limit value setting                                  |
| Pack quantity                      |                        | 1 pcs.   |

# PT0504



## Pressure transmitter

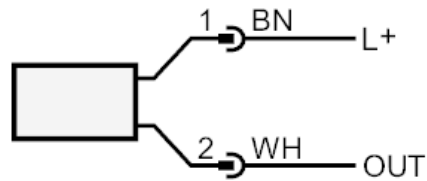
PT-010-AFG14-A-ZVG/US

### Electrical connection

Connector: 1 x M12; coding: A



### Connection



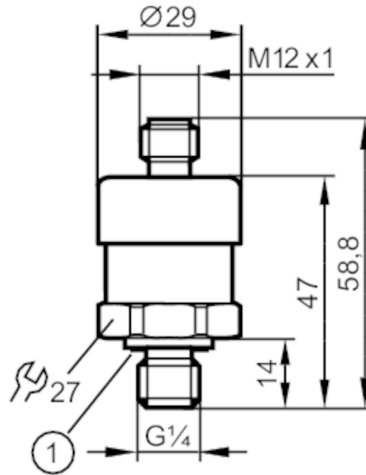
OUT            analog output  
                 Colors to DIN EN 60947-5-2  
                 Core colors :  
BN =            brown  
WH =            white

# PT0505



## Pressure transmitter

PT-004-AFG14-A-ZVG/US



1 sealing



### Product characteristics

|                              |   |            |             |
|------------------------------|---|------------|-------------|
| Number of inputs and outputs | Number of analog outputs: 1                                   |            |             |
| Measuring range              | 0...4 bar   | 0...58 psi | 0...400 kPa |
| Process connection           | threaded connection G 1/4 external thread (DIN EN ISO 1179-2) |            |             |

### Application

|                         |                             |         |          |
|-------------------------|-----------------------------|---------|----------|
| Application             | for industrial applications |         |          |
| Media                   | liquids and gases           |         |          |
| Medium temperature [°C] | 0...80                      |         |          |
| Min. burst pressure     | 25 bar                      | 360 psi | 2500 kPa |
| Pressure rating         | 8 bar                       | 116 psi | 800 kPa  |
| Type of pressure        | Absolute pressure           |         |          |

### Electrical data

|                                 |                 |  |  |
|---------------------------------|-----------------|--|--|
| Operating voltage [V]           | 8...30 DC       |  |  |
| Min. insulation resistance [MΩ] | 100; (500 V DC) |  |  |
| Protection class                | III             |  |  |
| Reverse polarity protection     | yes             |  |  |

### Inputs / outputs

|                              |                             |  |  |
|------------------------------|-----------------------------|--|--|
| Number of inputs and outputs | Number of analog outputs: 1 |  |  |
|------------------------------|-----------------------------|--|--|

### Outputs

|                            |  |  |  |
|----------------------------|--|--|--|
| Total number of outputs    | 1  |  |  |
| Output signal              | analog signal  |  |  |
| Number of analog outputs   | 1  |  |  |
| Analog current output [mA] | 4...20   |  |  |
| Max. load [Ω]              | 800; (U <sub>b</sub> = 24 V; (U <sub>b</sub> - 8 V) / 20 mA) |  |  |
| Short-circuit proof        | yes  |  |  |

### Measuring/setting range

|                 |           |            |             |
|-----------------|-----------|------------|-------------|
| Measuring range | 0...4 bar | 0...58 psi | 0...400 kPa |
|-----------------|-----------|------------|-------------|

# PT0505



## Pressure transmitter

PT-004-AFG14-A-ZVG/US

| Accuracy / deviations              |                        |  |
|------------------------------------|------------------------|--|
| Repeatability                      | [% of the span]        | $< \pm 0,1$ ; (with temperature fluctuations $< 10$ K)                                     |
| Characteristics deviation          | [% of the span]        | $< \pm 1,0$ ; (incl. zero point and span error, non-linearity, hysteresis)                 |
| Linearity deviation                | [% of the span]        | $< \pm 0,5$ (BFSL) / $< \pm 1,0$ (LS)  |
| Long-term stability                | [% of the span]        | $< \pm 0,1$ ; (per year)   |
| Temperature coefficient zero point | [% of the span / 10 K] | $< \pm 0,2$ ; (0...80 °C)  |
| Temperature coefficient span       | [% of the span / 10 K] | $< \pm 0,2$ ; (0...80 °C)  |
| Reaction times                     |                        |  |
| Step response time analog output   | [ms]                   | 4  |
| Operating conditions               |                        |  |
| Ambient temperature                | [°C]                   | 0...80   |
| Storage temperature                | [°C]                   | -20...80   |
| Protection                         |                        | IP 67  |
| Tests / approvals                  |                        |  |
| EMC                                | DIN EN 61326-1         |  |
| Shock resistance                   | DIN EN 60068-2-27      | 500 g (1 ms)   |
| Vibration resistance               | DIN EN 60068-2-6       | 10 g (10...2000 Hz)  |
| MTTF                               | [years]                | 815  |
| Pressure equipment directive       |                        | sound engineering practice; can be used for group 2 fluids; group 1 fluids on request      |
| Mechanical data                    |                        |  |
| Weight                             | [g]                    | 118.65   |
| Housing                            |                        | tubular  |
| Dimensions                         | [mm]                   | $\varnothing 29$ / L = 58.8  |
| Material                           |                        | stainless steel (1.4404 / 316L); HNBR; PA  |
| Materials (wetted parts)           |                        | stainless steel (1.4404 / 316L)  |
| Min. pressure cycles               |                        | 10 million   |
| Tightening torque                  | [Nm]                   | 25...35; (recommended tightening torque; Depends on lubrication, seal and pressure rating) |
| Process connection                 |                        | threaded connection G 1/4 external thread (DIN EN ISO 1179-2)                              |
| Process connection sealing         |                        | NBR (DIN EN ISO 1179-2)  |
| Fill fluid for pressure transfer   |                        | synthetic oil  |
| Restrictor element integrated      |                        | no   |
| Remarks                            |                        |  |
| Remarks                            |                        | BFSL = Best Fit Straight Line<br>LS = limit value setting                                  |
| Pack quantity                      |                        | 1 pcs.   |

# PT0505



## Pressure transmitter

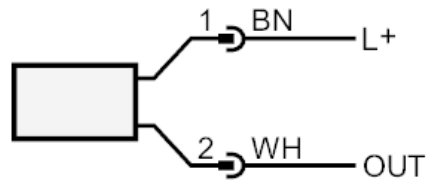
PT-004-AFG14-A-ZVG/US

### Electrical connection

Connector: 1 x M12; coding: A



### Connection



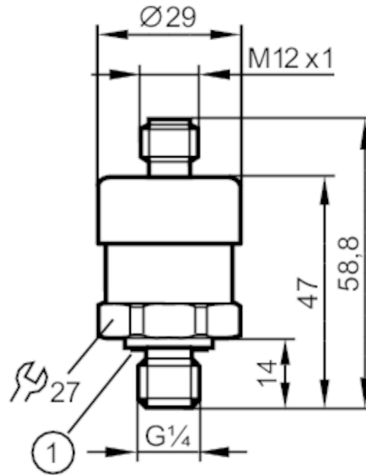
OUT            analog output  
                 Colors to DIN EN 60947-5-2  
                 Core colors :  
BN =            brown  
WH =            white

# PT0507



## Pressure transmitter

PT-001-AFG14-A-ZVG/US



1 sealing



### Product characteristics

|                              |   |               |              |             |
|------------------------------|---|---------------|--------------|-------------|
| Number of inputs and outputs | Number of analog outputs: 1                                   |               |              |             |
| Measuring range              | 0...1 bar   | 0...1000 mbar | 0...14.5 psi | 0...100 kPa |
| Process connection           | threaded connection G 1/4 external thread (DIN EN ISO 1179-2) |               |              |             |

### Application

|                         |                             |        |         |
|-------------------------|-----------------------------|--------|---------|
| Application             | for industrial applications |        |         |
| Media                   | liquids and gases           |        |         |
| Medium temperature [°C] | 0...80                      |        |         |
| Min. burst pressure     | 5 bar                       | 72 psi | 500 kPa |
| Pressure rating         | 2 bar                       | 29 psi | 200 kPa |
| Type of pressure        | Absolute pressure           |        |         |

### Electrical data

|                                 |                 |  |  |
|---------------------------------|-----------------|--|--|
| Operating voltage [V]           | 8...30 DC       |  |  |
| Min. insulation resistance [MΩ] | 100; (500 V DC) |  |  |
| Protection class                | III             |  |  |
| Reverse polarity protection     | yes             |  |  |

### Inputs / outputs

|                              |                             |  |  |
|------------------------------|-----------------------------|--|--|
| Number of inputs and outputs | Number of analog outputs: 1 |  |  |
|------------------------------|-----------------------------|--|--|

### Outputs

|                            |  |  |  |
|----------------------------|--|--|--|
| Total number of outputs    | 1  |  |  |
| Output signal              | analog signal  |  |  |
| Number of analog outputs   | 1  |  |  |
| Analog current output [mA] | 4...20   |  |  |
| Max. load [Ω]              | 800; (U <sub>b</sub> = 24 V; (U <sub>b</sub> - 8 V) / 20 mA) |  |  |
| Short-circuit proof        | yes  |  |  |

### Measuring/setting range

|                 |           |               |              |             |
|-----------------|-----------|---------------|--------------|-------------|
| Measuring range | 0...1 bar | 0...1000 mbar | 0...14.5 psi | 0...100 kPa |
|-----------------|-----------|---------------|--------------|-------------|

# PT0507



## Pressure transmitter

PT-001-AFG14-A-ZVG/US

| Accuracy / deviations              |                        |  |
|------------------------------------|------------------------|--|
| Repeatability                      | [% of the span]        | < ± 0,1; (with temperature fluctuations < 10 K)  |
| Characteristics deviation          | [% of the span]        | < ± 1,0; (incl. zero point and span error, non-linearity, hysteresis)                      |
| Linearity deviation                | [% of the span]        | < ± 0,5 (BFSL) / < ± 1,0 (LS)  |
| Long-term stability                | [% of the span]        | < ± 0,1; (per year)  |
| Temperature coefficient zero point | [% of the span / 10 K] | < ± 0,2; (0...80 °C)   |
| Temperature coefficient span       | [% of the span / 10 K] | < ± 0,2; (0...80 °C)   |
| Reaction times                     |                        |  |
| Step response time analog output   | [ms]                   | 4  |
| Operating conditions               |                        |  |
| Ambient temperature                | [°C]                   | 0...80   |
| Storage temperature                | [°C]                   | -20...80   |
| Protection                         |                        | IP 67  |
| Tests / approvals                  |                        |  |
| EMC                                |                        | DIN EN 61326-1   |
| Shock resistance                   |                        | DIN EN 60068-2-27 500 g (1 ms)   |
| Vibration resistance               |                        | DIN EN 60068-2-6 10 g (10...2000 Hz)   |
| MTTF                               | [years]                | 815  |
| Pressure equipment directive       |                        | sound engineering practice; can be used for group 2 fluids; group 1 fluids on request      |
| Mechanical data                    |                        |  |
| Weight                             | [g]                    | 116.5  |
| Housing                            |                        | tubular  |
| Dimensions                         | [mm]                   | ∅ 29 / L = 58.8  |
| Material                           |                        | stainless steel (1.4404 / 316L); HNBR; PA  |
| Materials (wetted parts)           |                        | stainless steel (1.4404 / 316L)  |
| Min. pressure cycles               |                        | 10 million   |
| Tightening torque                  | [Nm]                   | 25...35; (recommended tightening torque; Depends on lubrication, seal and pressure rating) |
| Process connection                 |                        | threaded connection G 1/4 external thread (DIN EN ISO 1179-2)                              |
| Process connection sealing         |                        | NBR (DIN EN ISO 1179-2)  |
| Fill fluid for pressure transfer   |                        | synthetic oil  |
| Restrictor element integrated      |                        | no   |
| Remarks                            |                        |  |
| Remarks                            |                        | BFSL = Best Fit Straight Line<br>LS = limit value setting                                  |
| Pack quantity                      |                        | 1 pcs.   |

# PT0507



## Pressure transmitter

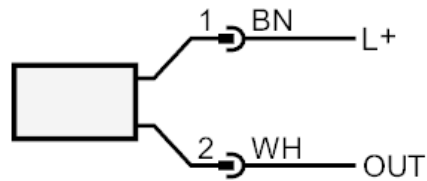
PT-001-AFG14-A-ZVG/US

### Electrical connection

Connector: 1 x M12; coding: A



### Connection



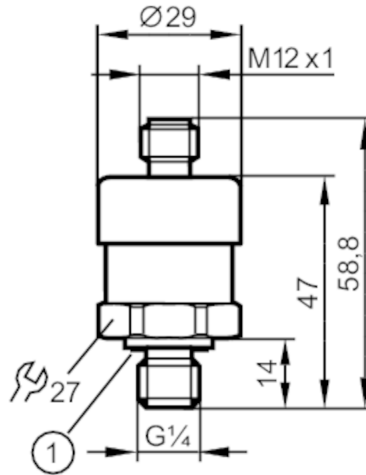
OUT            analog output  
                 Colors to DIN EN 60947-5-2  
                 Core colors :  
BN =            brown  
WH =            white

# PT0517



## Pressure transmitter

PT-1,6-AFG14-A-ZVG/US



1 sealing



### Product characteristics

|                              |   |               |              |             |
|------------------------------|---|---------------|--------------|-------------|
| Number of inputs and outputs | Number of analog outputs: 1                                   |               |              |             |
| Measuring range              | 0...1.6 bar   | 0...1600 mbar | 0...23.2 psi | 0...160 kPa |
| Process connection           | threaded connection G 1/4 external thread (DIN EN ISO 1179-2) |               |              |             |

### Application

|                         |                             |         |          |
|-------------------------|-----------------------------|---------|----------|
| Application             | for industrial applications |         |          |
| Media                   | liquids and gases           |         |          |
| Medium temperature [°C] | 0...80                      |         |          |
| Min. burst pressure     | 10 bar                      | 145 psi | 1000 kPa |
| Pressure rating         | 3.2 bar                     | 46 psi  | 320 kPa  |
| Type of pressure        | Absolute pressure           |         |          |

### Electrical data

|                                 |                 |  |  |
|---------------------------------|-----------------|--|--|
| Operating voltage [V]           | 8...30 DC       |  |  |
| Min. insulation resistance [MΩ] | 100; (500 V DC) |  |  |
| Protection class                | III             |  |  |
| Reverse polarity protection     | yes             |  |  |

### Inputs / outputs

|                              |                             |  |  |
|------------------------------|-----------------------------|--|--|
| Number of inputs and outputs | Number of analog outputs: 1 |  |  |
|------------------------------|-----------------------------|--|--|

### Outputs

|                            |  |  |  |
|----------------------------|--|--|--|
| Total number of outputs    | 1  |  |  |
| Output signal              | analog signal  |  |  |
| Number of analog outputs   | 1  |  |  |
| Analog current output [mA] | 4...20   |  |  |
| Max. load [Ω]              | 800; (U <sub>b</sub> = 24 V; (U <sub>b</sub> - 8 V) / 20 mA) |  |  |
| Short-circuit proof        | yes  |  |  |

### Measuring/setting range

|                 |             |               |              |             |
|-----------------|-------------|---------------|--------------|-------------|
| Measuring range | 0...1.6 bar | 0...1600 mbar | 0...23.2 psi | 0...160 kPa |
|-----------------|-------------|---------------|--------------|-------------|

# PT0517



## Pressure transmitter

PT-1,6-AFG14-A-ZVG/US

| Accuracy / deviations              |                        |  |
|------------------------------------|------------------------|--|
| Repeatability                      | [% of the span]        | $< \pm 0,1$ ; (with temperature fluctuations $< 10$ K)                                     |
| Characteristics deviation          | [% of the span]        | $< \pm 1,0$ ; (incl. zero point and span error, non-linearity, hysteresis)                 |
| Linearity deviation                | [% of the span]        | $< \pm 0,5$ (BFSL) / $< \pm 1,0$ (LS)  |
| Long-term stability                | [% of the span]        | $< \pm 0,1$ ; (per year)   |
| Temperature coefficient zero point | [% of the span / 10 K] | $< \pm 0,2$ ; (0...80 °C)  |
| Temperature coefficient span       | [% of the span / 10 K] | $< \pm 0,2$ ; (0...80 °C)  |
| Reaction times                     |                        |  |
| Step response time analog output   | [ms]                   | 4  |
| Operating conditions               |                        |  |
| Ambient temperature                | [°C]                   | 0...80   |
| Storage temperature                | [°C]                   | -20...80   |
| Protection                         |                        | IP 67  |
| Tests / approvals                  |                        |  |
| EMC                                | DIN EN 61326-1         |  |
| Shock resistance                   | DIN EN 60068-2-27      | 500 g (1 ms)   |
| Vibration resistance               | DIN EN 60068-2-6       | 10 g (10...2000 Hz)  |
| MTTF                               | [years]                | 815  |
| Pressure equipment directive       |                        | sound engineering practice; can be used for group 2 fluids; group 1 fluids on request      |
| Mechanical data                    |                        |  |
| Weight                             | [g]                    | 118  |
| Housing                            |                        | tubular  |
| Dimensions                         | [mm]                   | $\varnothing 29$ / L = 58.8  |
| Material                           |                        | stainless steel (1.4404 / 316L); HNBR; PA  |
| Materials (wetted parts)           |                        | stainless steel (1.4404 / 316L)  |
| Min. pressure cycles               |                        | 10 million   |
| Tightening torque                  | [Nm]                   | 25...35; (recommended tightening torque; Depends on lubrication, seal and pressure rating) |
| Process connection                 |                        | threaded connection G 1/4 external thread (DIN EN ISO 1179-2)                              |
| Process connection sealing         |                        | NBR (DIN EN ISO 1179-2)  |
| Fill fluid for pressure transfer   |                        | synthetic oil  |
| Restrictor element integrated      |                        | no   |
| Remarks                            |                        |  |
| Remarks                            |                        | BFSL = Best Fit Straight Line<br>LS = limit value setting                                  |
| Pack quantity                      |                        | 1 pcs.   |

# PT0517



## Pressure transmitter

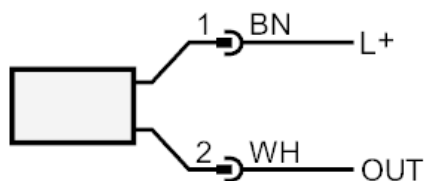
PT-1,6-AFG14-A-ZVG/US

### Electrical connection

Connector: 1 x M12; coding: A



### Connection



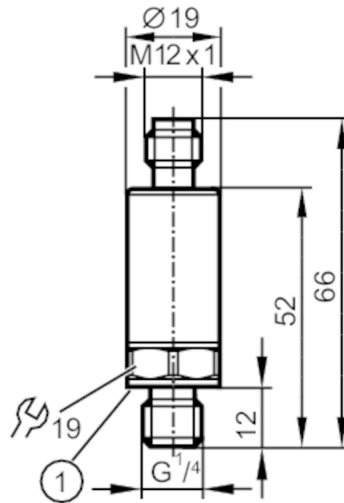
OUT            analog output  
                 Colors to DIN EN 60947-5-2  
                 Core colors :  
BN =            brown  
WH =            white

# PT560E



## Pressure transmitter

PT-600-SEG14-A-ZVG/US



1 sealing



### Product characteristics

|                              |   |              |            |
|------------------------------|---|--------------|------------|
| Number of inputs and outputs | Number of analog outputs: 1                                   |              |            |
| Measuring range              | 0...600 bar   | 0...8700 psi | 0...60 MPa |
| Process connection           | threaded connection G 1/4 external thread (DIN EN ISO 1179-2) |              |            |

### Application

|                         |                         |           |         |
|-------------------------|-------------------------|-----------|---------|
| Application             | for mobile applications |           |         |
| Media                   | liquids and gases       |           |         |
| Medium temperature [°C] | -40...125               |           |         |
| Min. burst pressure     | 2500 bar                | 36255 psi | 250 MPa |
| Pressure rating         | 1500 bar                | 21755 psi | 150 MPa |
| Note on pressure rating | static                  |           |         |
| Vacuum resistance       | -1000 mbar              | -0.1 MPa  |         |
| Type of pressure        | relative pressure       |           |         |

### Electrical data

|                                 |                 |  |  |
|---------------------------------|-----------------|--|--|
| Operating voltage [V]           | 8...32 DC       |  |  |
| Min. insulation resistance [MΩ] | 100; (500 V DC) |  |  |
| Protection class                | III             |  |  |
| Reverse polarity protection     | yes             |  |  |
| Power-on delay time [s]         | < 0.1           |  |  |

### Inputs / outputs

|                              |                             |  |  |
|------------------------------|-----------------------------|--|--|
| Number of inputs and outputs | Number of analog outputs: 1 |  |  |
|------------------------------|-----------------------------|--|--|

### Outputs

|                            |   |  |  |
|----------------------------|---|--|--|
| Total number of outputs    | 1   |  |  |
| Output signal              | analog signal   |  |  |
| Number of analog outputs   | 1   |  |  |
| Analog current output [mA] | 4...20  |  |  |
| Max. load [Ω]              | (U <sub>b</sub> - 8 V) / 21,5 mA; @8V = 0 Ω; @12V max. 200 Ω; @24V max. 750 Ω |  |  |
| Short-circuit proof        | yes   |  |  |

# PT560E



## Pressure transmitter

PT-600-SEG14-A-ZVG/US

|   |   |                     |            |
|---|---|---------------------|------------|
| Overload protection                                       | yes   |                     |            |
| <b>Measuring/setting range</b>                            |   |                     |            |
| Measuring range   | 0...600 bar   | 0...8700 psi        | 0...60 MPa |
| <b>Accuracy / deviations</b>                              |   |                     |            |
| Repeatability [% of the span]                             | < ± 0,05; (with temperature fluctuations < 10 K)  |                     |            |
| Characteristics deviation [% of the span]                 | < ± 0,8; (incl. drift when overtightened, zero point and span error, non-linearity, hysteresis) |                     |            |
| Linearity deviation [% of the span]                       | < ± 0,25 (BFSL) / < ± 0,5 (LS)  |                     |            |
| Hysteresis deviation [% of the span]                      | < ± 0,2   |                     |            |
| Long-term stability [% of the span]                       | < ± 0,1; (per 6 months)   |                     |            |
| Temperature coefficient zero point [% of the span / 10 K] | < ± 0,1 (0...80 °C); < ± 0,2 (-40...0 °C / 80...125 °C)   |                     |            |
| Temperature coefficient span [% of the span / 10 K]       | < ± 0,1 (0...80 °C); < ± 0,2 (-40...0 °C / 80...125 °C)   |                     |            |
| <b>Reaction times</b>                                     |   |                     |            |
| Step response time analog output [ms]                     | 2   |                     |            |
| <b>Operating conditions</b>                               |   |                     |            |
| Ambient temperature [°C]                                  | -40...100   |                     |            |
| Storage temperature [°C]                                  | -40...100   |                     |            |
| Protection  | IP 67; IP 69K   |                     |            |
| <b>Tests / approvals</b>                                  |   |                     |            |
| EMC   | noise immunity according to UN ECE R10, rev. 6  |                     |            |
|   | ISO 11452-2   | 100 V/m             |            |
|   | DIN EN 61326-1  |                     |            |
| Shock resistance  | DIN EN 60068-2-27   | 500 g (1 ms)        |            |
| Vibration resistance                                      | DIN EN 60068-2-6  | 20 g (10...2000 Hz) |            |
| MTTF [years]  | 711   |                     |            |
| Pressure equipment directive                              | Modul A; can be used for group 2 fluids; group 1 fluids on request                              |                     |            |
| <b>Mechanical data</b>                                    |   |                     |            |
| Weight [g]  | 59.3  |                     |            |
| Housing   | tubular   |                     |            |
| Dimensions [mm]   | Ø 19 / L = 66   |                     |            |
| Material  | stainless steel (630/1.4542/17-4 PH); stainless steel (1.4404 / 316L); PEI                      |                     |            |
| Materials (wetted parts)                                  | stainless steel (630/1.4542/17-4 PH)  |                     |            |
| Min. pressure cycles                                      | 60 million; (at 1.2 times nominal pressure)   |                     |            |
| Tightening torque [Nm]                                    | 30...50; (recommended tightening torque; Depends on lubrication, seal and pressure rating)      |                     |            |
| Process connection  | threaded connection G 1/4 external thread (DIN EN ISO 1179-2)                                   |                     |            |
| Process connection sealing                                | HNBR (DIN EN ISO 1179-2)  |                     |            |
| Restrictor element integrated                             | yes   |                     |            |

# PT560E



## Pressure transmitter

PT-600-SEG14-A-ZVG/US

### Remarks

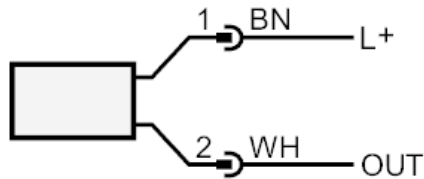
|               |   |
|---------------|---|
| Remarks       | BFSL = Best Fit Straight Line<br>LS = limit value setting |
| Pack quantity | 1 pcs.  |

### Electrical connection

Connector: 1 x M12; coding: A



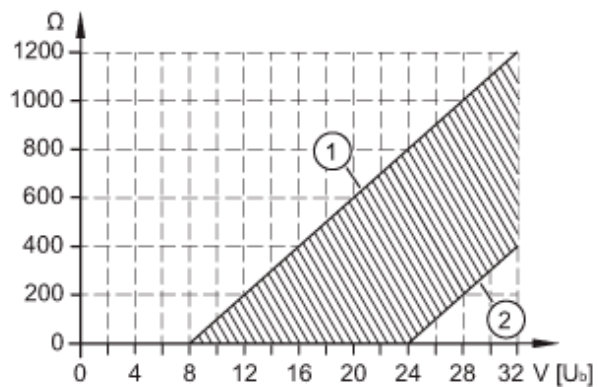
### Connection



OUT            analog output  
                 Colors to DIN EN 60947-5-2  
                 Core colors :  
BN =            brown  
WH =            white

### Diagrams and graphs

Characteristic load curve current output



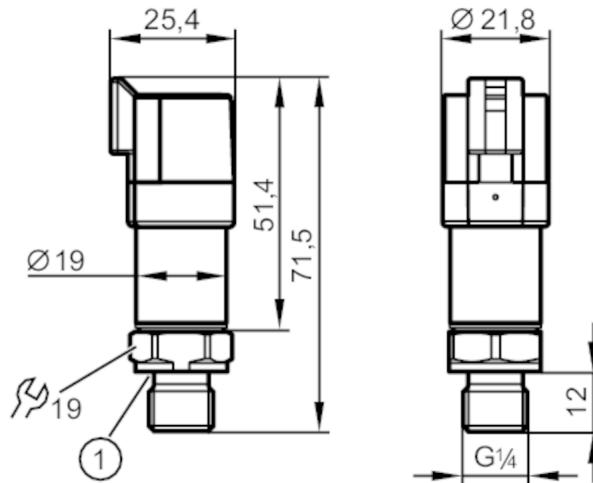
1: Max. load  
2: Min. load

# PT700E



## Pressure transmitter

PT-400-SEG14-A-ZVG/DE



1 sealing



### Product characteristics

|                              |   |              |            |
|------------------------------|---|--------------|------------|
| Number of inputs and outputs | Number of analog outputs: 1                                   |              |            |
| Measuring range              | 0...400 bar   | 0...5800 psi | 0...40 MPa |
| Process connection           | threaded connection G 1/4 external thread (DIN EN ISO 1179-2) |              |            |

### Application

|                         |                         |           |         |
|-------------------------|-------------------------|-----------|---------|
| Application             | for mobile applications |           |         |
| Media                   | liquids and gases       |           |         |
| Medium temperature [°C] | -40...125               |           |         |
| Min. burst pressure     | 1700 bar                | 24655 psi | 170 MPa |
| Pressure rating         | 1000 bar                | 14500 psi | 100 MPa |
| Note on pressure rating | static                  |           |         |
| Vacuum resistance       | -1000 mbar              | -0.1 MPa  |         |
| Type of pressure        | relative pressure       |           |         |

### Electrical data

|                                 |                 |  |  |
|---------------------------------|-----------------|--|--|
| Operating voltage [V]           | 8...32 DC       |  |  |
| Min. insulation resistance [MΩ] | 100; (500 V DC) |  |  |
| Protection class                | III             |  |  |
| Reverse polarity protection     | yes             |  |  |
| Power-on delay time [s]         | < 0.1           |  |  |

### Inputs / outputs

|                              |                             |  |  |
|------------------------------|-----------------------------|--|--|
| Number of inputs and outputs | Number of analog outputs: 1 |  |  |
|------------------------------|-----------------------------|--|--|

### Outputs

|                            |   |  |  |
|----------------------------|---|--|--|
| Total number of outputs    | 1   |  |  |
| Output signal              | analog signal   |  |  |
| Number of analog outputs   | 1   |  |  |
| Analog current output [mA] | 4...20  |  |  |
| Max. load [Ω]              | (U <sub>b</sub> - 8 V) / 21,5 mA; @8V = 0 Ω; @12V max. 200 Ω; @24V max. 750 Ω |  |  |
| Short-circuit proof        | yes   |  |  |

# PT700E



## Pressure transmitter

PT-400-SEG14-A-ZVG/DE

|   |   |                     |            |
|---|---|---------------------|------------|
| Overload protection                                       | yes   |                     |            |
| <b>Measuring/setting range</b>                            |   |                     |            |
| Measuring range   | 0...400 bar   | 0...5800 psi        | 0...40 MPa |
| <b>Accuracy / deviations</b>                              |   |                     |            |
| Repeatability [% of the span]                             | < ± 0,05; (with temperature fluctuations < 10 K)  |                     |            |
| Characteristics deviation [% of the span]                 | < ± 0,8; (incl. drift when overtightened, zero point and span error, non-linearity, hysteresis) |                     |            |
| Linearity deviation [% of the span]                       | < ± 0,25 (BFSL) / < ± 0,5 (LS)  |                     |            |
| Hysteresis deviation [% of the span]                      | < ± 0,2   |                     |            |
| Long-term stability [% of the span]                       | < ± 0,1; (per 6 months)   |                     |            |
| Temperature coefficient zero point [% of the span / 10 K] | < ± 0,1 (0...80 °C); < ± 0,2 (-40...0 °C / 80...125 °C)   |                     |            |
| Temperature coefficient span [% of the span / 10 K]       | < ± 0,1 (0...80 °C); < ± 0,2 (-40...0 °C / 80...125 °C)   |                     |            |
| <b>Reaction times</b>                                     |   |                     |            |
| Step response time analog output [ms]                     | 2   |                     |            |
| <b>Operating conditions</b>                               |   |                     |            |
| Ambient temperature [°C]                                  | -40...100   |                     |            |
| Storage temperature [°C]                                  | -40...100   |                     |            |
| Protection  | IP 67; IP 69K   |                     |            |
| <b>Tests / approvals</b>                                  |   |                     |            |
| EMC   | noise immunity according to UN ECE R10, rev. 6  |                     |            |
|   | ISO 11452-2   | 100 V/m             |            |
|   | DIN EN 61326-1  |                     |            |
| Shock resistance  | DIN EN 60068-2-27   | 500 g (1 ms)        |            |
| Vibration resistance                                      | DIN EN 60068-2-6  | 20 g (10...2000 Hz) |            |
| MTTF [years]  | 711   |                     |            |
| Pressure equipment directive                              | sound engineering practice; can be used for group 2 fluids; group 1 fluids on request           |                     |            |
| <b>Mechanical data</b>                                    |   |                     |            |
| Weight [g]  | 62.2  |                     |            |
| Housing   | tubular   |                     |            |
| Dimensions [mm]   | Ø 19 / L = 71.5   |                     |            |
| Material  | stainless steel (630/1.4542/17-4 PH); stainless steel (1.4404 / 316L); PPS                      |                     |            |
| Materials (wetted parts)                                  | stainless steel (630/1.4542/17-4 PH)  |                     |            |
| Min. pressure cycles                                      | 60 million; (at 1.2 times nominal pressure)   |                     |            |
| Tightening torque [Nm]                                    | 25...35; (recommended tightening torque; Depends on lubrication, seal and pressure rating)      |                     |            |
| Process connection  | threaded connection G 1/4 external thread (DIN EN ISO 1179-2)                                   |                     |            |
| Process connection sealing                                | HNBR (DIN EN ISO 1179-2)  |                     |            |
| Restrictor element integrated                             | yes   |                     |            |

# PT700E



## Pressure transmitter

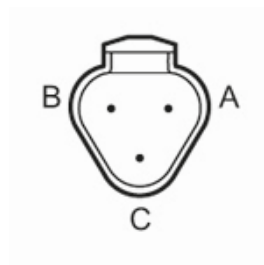
PT-400-SEG14-A-ZVG/DE

### Remarks

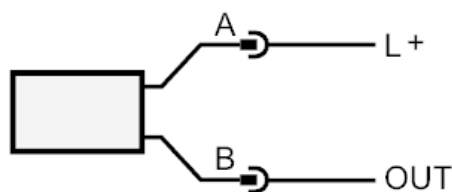
|               |   |
|---------------|---|
| Remarks       | BFSL = Best Fit Straight Line<br>LS = limit value setting |
| Pack quantity | 1 pcs.  |

### Electrical connection

Connector: 1 x DEUTSCH connector (DT04-3P)



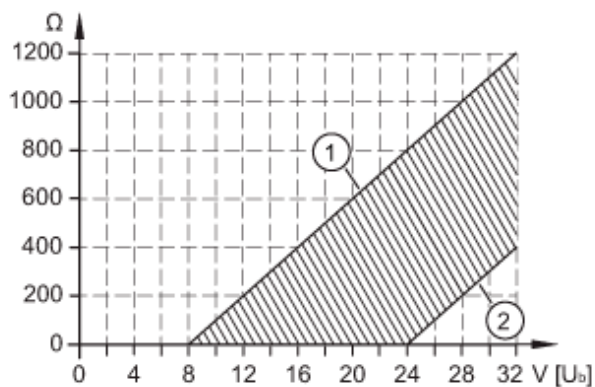
### Connection



OUT analog output

### Diagrams and graphs

Characteristic load curve current output



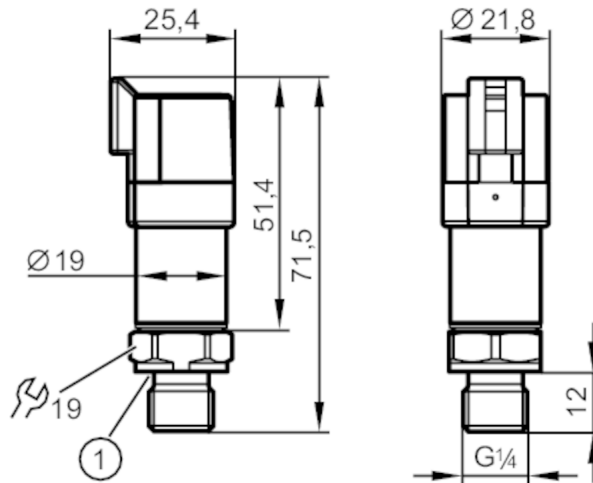
- 1: Max. load
- 2: Min. load

# PT701E



## Pressure transmitter

PT-250-SEG14-A-ZVG/DE



1 sealing



### Product characteristics

|                              |   |              |            |
|------------------------------|---|--------------|------------|
| Number of inputs and outputs | Number of analog outputs: 1                                   |              |            |
| Measuring range              | 0...250 bar   | 0...3625 psi | 0...25 MPa |
| Process connection           | threaded connection G 1/4 external thread (DIN EN ISO 1179-2) |              |            |

### Application

|                         |                         |           |          |
|-------------------------|-------------------------|-----------|----------|
| Application             | for mobile applications |           |          |
| Media                   | liquids and gases       |           |          |
| Medium temperature [°C] | -40...125               |           |          |
| Min. burst pressure     | 1200 bar                | 17400 psi | 120 MPa  |
| Pressure rating         | 625 bar                 | 9060 psi  | 62.5 MPa |
| Note on pressure rating | static                  |           |          |
| Vacuum resistance       | -1000 mbar              | -0.1 MPa  |          |
| Type of pressure        | relative pressure       |           |          |

### Electrical data

|                                 |                 |  |  |
|---------------------------------|-----------------|--|--|
| Operating voltage [V]           | 8...32 DC       |  |  |
| Min. insulation resistance [MΩ] | 100; (500 V DC) |  |  |
| Protection class                | III             |  |  |
| Reverse polarity protection     | yes             |  |  |
| Power-on delay time [s]         | < 0.1           |  |  |

### Inputs / outputs

|                              |                             |  |  |
|------------------------------|-----------------------------|--|--|
| Number of inputs and outputs | Number of analog outputs: 1 |  |  |
|------------------------------|-----------------------------|--|--|

### Outputs

|                            |   |  |  |
|----------------------------|---|--|--|
| Total number of outputs    | 1   |  |  |
| Output signal              | analog signal   |  |  |
| Number of analog outputs   | 1   |  |  |
| Analog current output [mA] | 4...20  |  |  |
| Max. load [Ω]              | (U <sub>b</sub> - 8 V) / 21,5 mA; @8V = 0 Ω; @12V max. 200 Ω; @24V max. 750 Ω |  |  |
| Short-circuit proof        | yes   |  |  |

# PT701E



## Pressure transmitter

PT-250-SEG14-A-ZVG/DE

|   |   |                     |            |
|---|---|---------------------|------------|
| Overload protection                                       | yes   |                     |            |
| <b>Measuring/setting range</b>                            |   |                     |            |
| Measuring range   | 0...250 bar   | 0...3625 psi        | 0...25 MPa |
| <b>Accuracy / deviations</b>                              |   |                     |            |
| Repeatability [% of the span]                             | < ± 0,05; (with temperature fluctuations < 10 K)  |                     |            |
| Characteristics deviation [% of the span]                 | < ± 0,8; (incl. drift when overtightened, zero point and span error, non-linearity, hysteresis) |                     |            |
| Linearity deviation [% of the span]                       | < ± 0,25 (BFSL) / < ± 0,5 (LS)  |                     |            |
| Hysteresis deviation [% of the span]                      | < ± 0,2   |                     |            |
| Long-term stability [% of the span]                       | < ± 0,1; (per 6 months)   |                     |            |
| Temperature coefficient zero point [% of the span / 10 K] | < ± 0,1 (0...80 °C); < ± 0,2 (-40...0 °C / 80...125 °C)   |                     |            |
| Temperature coefficient span [% of the span / 10 K]       | < ± 0,1 (0...80 °C); < ± 0,2 (-40...0 °C / 80...125 °C)   |                     |            |
| <b>Reaction times</b>                                     |   |                     |            |
| Step response time analog output [ms]                     | 2   |                     |            |
| <b>Operating conditions</b>                               |   |                     |            |
| Ambient temperature [°C]                                  | -40...100   |                     |            |
| Storage temperature [°C]                                  | -40...100   |                     |            |
| Protection  | IP 67; IP 69K   |                     |            |
| <b>Tests / approvals</b>                                  |   |                     |            |
| EMC   | noise immunity according to UN ECE R10, rev. 6  |                     |            |
|   | ISO 11452-2   | 100 V/m             |            |
|   | DIN EN 61326-1  |                     |            |
| Shock resistance  | DIN EN 60068-2-27   | 500 g (1 ms)        |            |
| Vibration resistance                                      | DIN EN 60068-2-6  | 20 g (10...2000 Hz) |            |
| MTTF [years]  | 711   |                     |            |
| Pressure equipment directive                              | sound engineering practice; can be used for group 2 fluids; group 1 fluids on request           |                     |            |
| <b>Mechanical data</b>                                    |   |                     |            |
| Weight [g]  | 62.1  |                     |            |
| Housing   | tubular   |                     |            |
| Dimensions [mm]   | Ø 19 / L = 71.5   |                     |            |
| Material  | stainless steel (630/1.4542/17-4 PH); stainless steel (1.4404 / 316L); PPS                      |                     |            |
| Materials (wetted parts)                                  | stainless steel (630/1.4542/17-4 PH)  |                     |            |
| Min. pressure cycles                                      | 60 million; (at 1.2 times nominal pressure)   |                     |            |
| Tightening torque [Nm]                                    | 25...35; (recommended tightening torque; Depends on lubrication, seal and pressure rating)      |                     |            |
| Process connection  | threaded connection G 1/4 external thread (DIN EN ISO 1179-2)                                   |                     |            |
| Process connection sealing                                | HNBR (DIN EN ISO 1179-2)  |                     |            |
| Restrictor element integrated                             | yes   |                     |            |

# PT701E



## Pressure transmitter

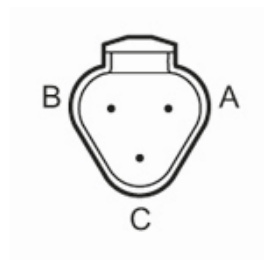
PT-250-SEG14-A-ZVG/DE

### Remarks

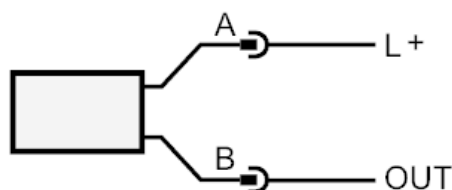
|               |   |
|---------------|---|
| Remarks       | BFSL = Best Fit Straight Line<br>LS = limit value setting |
| Pack quantity | 1 pcs.  |

### Electrical connection

Connector: 1 x DEUTSCH connector (DT04-3P)



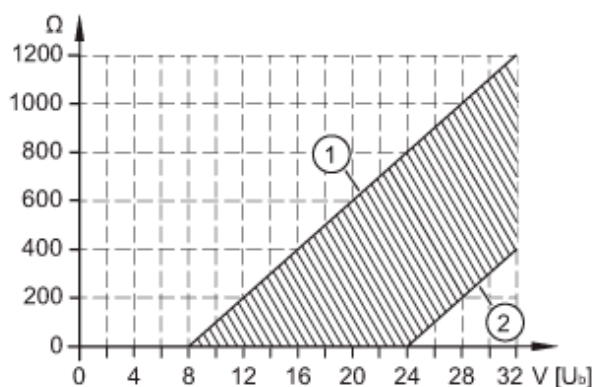
### Connection



OUT analog output

### Diagrams and graphs

Characteristic load curve current output



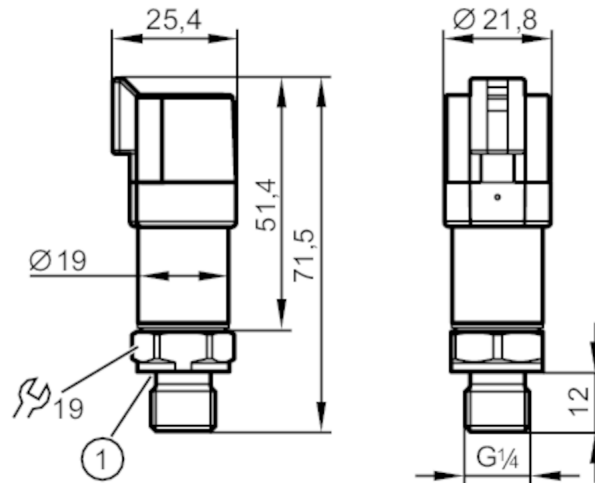
- 1: Max. load
- 2: Min. load

# PT704E



## Pressure transmitter

PT-010-SEG14-A-ZVG/DE



1 sealing



### Product characteristics

|                              |   |             |              |           |
|------------------------------|---|-------------|--------------|-----------|
| Number of inputs and outputs | Number of analog outputs: 1                                   |             |              |           |
| Measuring range              | 0...10 bar  | 0...145 psi | 0...1000 kPa | 0...1 MPa |
| Process connection           | threaded connection G 1/4 external thread (DIN EN ISO 1179-2) |             |              |           |

### Application

|                         |                         |          |         |
|-------------------------|-------------------------|----------|---------|
| Application             | for mobile applications |          |         |
| Media                   | liquids and gases       |          |         |
| Medium temperature [°C] | -40...125               |          |         |
| Min. burst pressure     | 300 bar                 | 4350 psi | 30 MPa  |
| Pressure rating         | 25 bar                  | 360 psi  | 2.5 MPa |
| Note on pressure rating | static                  |          |         |
| Vacuum resistance       | -1000 mbar              | -0.1 MPa |         |
| Type of pressure        | relative pressure       |          |         |

### Electrical data

|                                 |                 |
|---------------------------------|-----------------|
| Operating voltage [V]           | 8...32 DC       |
| Min. insulation resistance [MΩ] | 100; (500 V DC) |
| Protection class                | III             |
| Reverse polarity protection     | yes             |
| Power-on delay time [s]         | < 0.1           |

### Inputs / outputs

|                              |                             |
|------------------------------|-----------------------------|
| Number of inputs and outputs | Number of analog outputs: 1 |
|------------------------------|-----------------------------|

### Outputs

|                            |   |
|----------------------------|---|
| Total number of outputs    | 1   |
| Output signal              | analog signal   |
| Number of analog outputs   | 1   |
| Analog current output [mA] | 4...20  |
| Max. load [Ω]              | (U <sub>b</sub> - 8 V) / 21,5 mA; @8V = 0 Ω; @12V max. 200 Ω; @24V max. 750 Ω |
| Short-circuit proof        | yes   |

# PT704E



## Pressure transmitter

PT-010-SEG14-A-ZVG/DE

|   |   |             |                     |           |
|---|---|-------------|---------------------|-----------|
| Overload protection                                       | yes   |             |                     |           |
| <b>Measuring/setting range</b>                            |   |             |                     |           |
| Measuring range   | 0...10 bar  | 0...145 psi | 0...1000 kPa        | 0...1 MPa |
| <b>Accuracy / deviations</b>                              |   |             |                     |           |
| Repeatability [% of the span]                             | < ± 0,05; (with temperature fluctuations < 10 K)  |             |                     |           |
| Characteristics deviation [% of the span]                 | < ± 0,8; (incl. drift when overtightened, zero point and span error, non-linearity, hysteresis) |             |                     |           |
| Linearity deviation [% of the span]                       | < ± 0,25 (BFSL) / < ± 0,5 (LS)  |             |                     |           |
| Hysteresis deviation [% of the span]                      | < ± 0,2   |             |                     |           |
| Long-term stability [% of the span]                       | < ± 0,1; (per 6 months)   |             |                     |           |
| Temperature coefficient zero point [% of the span / 10 K] | < ± 0,1 (0...80 °C); < ± 0,2 (-40...0 °C / 80...125 °C)   |             |                     |           |
| Temperature coefficient span [% of the span / 10 K]       | < ± 0,1 (0...80 °C); < ± 0,2 (-40...0 °C / 80...125 °C)   |             |                     |           |
| <b>Reaction times</b>                                     |   |             |                     |           |
| Step response time analog output [ms]                     | 2   |             |                     |           |
| <b>Operating conditions</b>                               |   |             |                     |           |
| Ambient temperature [°C]                                  | -40...100   |             |                     |           |
| Storage temperature [°C]                                  | -40...100   |             |                     |           |
| Protection  | IP 67; IP 69K   |             |                     |           |
| <b>Tests / approvals</b>                                  |   |             |                     |           |
| EMC   | noise immunity according to UN ECE R10, rev. 6  |             |                     |           |
|   | ISO 11452-2   |             | 100 V/m             |           |
|   | DIN EN 61326-1  |             |                     |           |
| Shock resistance  | DIN EN 60068-2-27   |             | 500 g (1 ms)        |           |
| Vibration resistance                                      | DIN EN 60068-2-6  |             | 20 g (10...2000 Hz) |           |
| MTTF [years]  | 711   |             |                     |           |
| Pressure equipment directive                              | sound engineering practice; can be used for group 2 fluids; group 1 fluids on request           |             |                     |           |
| <b>Mechanical data</b>                                    |   |             |                     |           |
| Weight [g]  | 61.7  |             |                     |           |
| Housing   | tubular   |             |                     |           |
| Dimensions [mm]   | Ø 19 / L = 71.5   |             |                     |           |
| Material  | stainless steel (630/1.4542/17-4 PH); stainless steel (1.4404 / 316L); PPS                      |             |                     |           |
| Materials (wetted parts)                                  | stainless steel (630/1.4542/17-4 PH)  |             |                     |           |
| Min. pressure cycles                                      | 60 million; (at 1.2 times nominal pressure)   |             |                     |           |
| Tightening torque [Nm]                                    | 25...35; (recommended tightening torque; Depends on lubrication, seal and pressure rating)      |             |                     |           |
| Process connection  | threaded connection G 1/4 external thread (DIN EN ISO 1179-2)                                   |             |                     |           |
| Process connection sealing                                | HNBR (DIN EN ISO 1179-2)  |             |                     |           |
| Restrictor element integrated                             | yes   |             |                     |           |

# PT704E



## Pressure transmitter

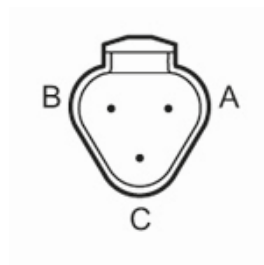
PT-010-SEG14-A-ZVG/DE

### Remarks

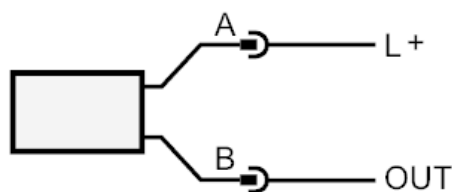
|               |   |
|---------------|---|
| Remarks       | BFSL = Best Fit Straight Line<br>LS = limit value setting |
| Pack quantity | 1 pcs.  |

### Electrical connection

Connector: 1 x DEUTSCH connector (DT04-3P)



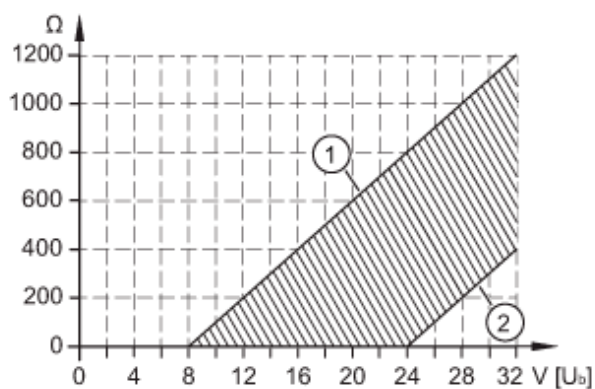
### Connection



OUT analog output

### Diagrams and graphs

Characteristic load curve current output



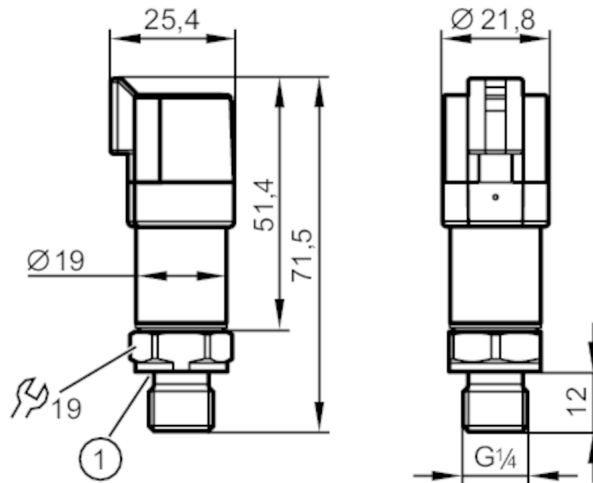
- 1: Max. load
- 2: Min. load

# PT760E



## Pressure transmitter

PT-600-SEG14-A-ZVG/DE



1 sealing



### Product characteristics

|                              |   |              |            |
|------------------------------|---|--------------|------------|
| Number of inputs and outputs | Number of analog outputs: 1                                   |              |            |
| Measuring range              | 0...600 bar   | 0...8700 psi | 0...60 MPa |
| Process connection           | threaded connection G 1/4 external thread (DIN EN ISO 1179-2) |              |            |

### Application

|                         |                         |           |         |
|-------------------------|-------------------------|-----------|---------|
| Application             | for mobile applications |           |         |
| Media                   | liquids and gases       |           |         |
| Medium temperature [°C] | -40...125               |           |         |
| Min. burst pressure     | 2500 bar                | 36255 psi | 250 MPa |
| Pressure rating         | 1500 bar                | 21755 psi | 150 MPa |
| Note on pressure rating | static                  |           |         |
| Vacuum resistance       | -1000 mbar              | -0.1 MPa  |         |
| Type of pressure        | relative pressure       |           |         |

### Electrical data

|                                 |                 |  |  |
|---------------------------------|-----------------|--|--|
| Operating voltage [V]           | 8...32 DC       |  |  |
| Min. insulation resistance [MΩ] | 100; (500 V DC) |  |  |
| Protection class                | III             |  |  |
| Reverse polarity protection     | yes             |  |  |
| Power-on delay time [s]         | < 0.1           |  |  |

### Inputs / outputs

|                              |                             |  |  |
|------------------------------|-----------------------------|--|--|
| Number of inputs and outputs | Number of analog outputs: 1 |  |  |
|------------------------------|-----------------------------|--|--|

### Outputs

|                            |   |  |  |
|----------------------------|---|--|--|
| Total number of outputs    | 1   |  |  |
| Output signal              | analog signal   |  |  |
| Number of analog outputs   | 1   |  |  |
| Analog current output [mA] | 4...20  |  |  |
| Max. load [Ω]              | (U <sub>b</sub> - 8 V) / 21,5 mA; @8V = 0 Ω; @12V max. 200 Ω; @24V max. 750 Ω |  |  |
| Short-circuit proof        | yes   |  |  |

# PT760E



## Pressure transmitter

PT-600-SEG14-A-ZVG/DE

|   |   |                     |            |
|---|---|---------------------|------------|
| Overload protection                                       | yes   |                     |            |
| <b>Measuring/setting range</b>                            |   |                     |            |
| Measuring range   | 0...600 bar   | 0...8700 psi        | 0...60 MPa |
| <b>Accuracy / deviations</b>                              |   |                     |            |
| Repeatability [% of the span]                             | < ± 0,05; (with temperature fluctuations < 10 K)  |                     |            |
| Characteristics deviation [% of the span]                 | < ± 0,8; (incl. drift when overtightened, zero point and span error, non-linearity, hysteresis) |                     |            |
| Linearity deviation [% of the span]                       | < ± 0,25 (BFSL) / < ± 0,5 (LS)  |                     |            |
| Hysteresis deviation [% of the span]                      | < ± 0,2   |                     |            |
| Long-term stability [% of the span]                       | < ± 0,1; (per 6 months)   |                     |            |
| Temperature coefficient zero point [% of the span / 10 K] | < ± 0,1 (0...80 °C); < ± 0,2 (-40...0 °C / 80...125 °C)   |                     |            |
| Temperature coefficient span [% of the span / 10 K]       | < ± 0,1 (0...80 °C); < ± 0,2 (-40...0 °C / 80...125 °C)   |                     |            |
| <b>Reaction times</b>                                     |   |                     |            |
| Step response time analog output [ms]                     | 2   |                     |            |
| <b>Operating conditions</b>                               |   |                     |            |
| Ambient temperature [°C]                                  | -40...100   |                     |            |
| Storage temperature [°C]                                  | -40...100   |                     |            |
| Protection  | IP 67; IP 69K   |                     |            |
| <b>Tests / approvals</b>                                  |   |                     |            |
| EMC   | noise immunity according to UN ECE R10, rev. 6  |                     |            |
|   | ISO 11452-2   | 100 V/m             |            |
|   | DIN EN 61326-1  |                     |            |
| Shock resistance  | DIN EN 60068-2-27   | 500 g (1 ms)        |            |
| Vibration resistance                                      | DIN EN 60068-2-6  | 20 g (10...2000 Hz) |            |
| MTTF [years]  | 711   |                     |            |
| Pressure equipment directive                              | Modul A; can be used for group 2 fluids; group 1 fluids on request                              |                     |            |
| <b>Mechanical data</b>                                    |   |                     |            |
| Weight [g]  | 62.8  |                     |            |
| Housing   | tubular   |                     |            |
| Dimensions [mm]   | Ø 19 / L = 71.5   |                     |            |
| Material  | stainless steel (630/1.4542/17-4 PH); stainless steel (1.4404 / 316L); PPS                      |                     |            |
| Materials (wetted parts)                                  | stainless steel (630/1.4542/17-4 PH)  |                     |            |
| Min. pressure cycles                                      | 60 million; (at 1.2 times nominal pressure)   |                     |            |
| Tightening torque [Nm]                                    | 30...50; (recommended tightening torque; Depends on lubrication, seal and pressure rating)      |                     |            |
| Process connection  | threaded connection G 1/4 external thread (DIN EN ISO 1179-2)                                   |                     |            |
| Process connection sealing                                | HNBR (DIN EN ISO 1179-2)  |                     |            |
| Restrictor element integrated                             | yes   |                     |            |

# PT760E



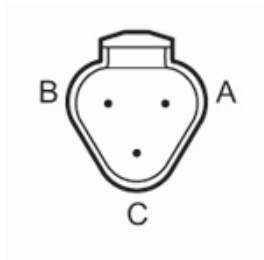
## Pressure transmitter

PT-600-SEG14-A-ZVG/DE

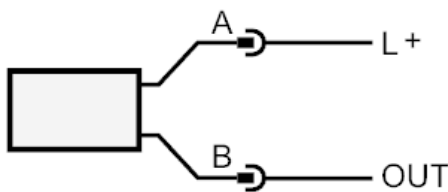
| Remarks       |   |
|---------------|---|
| Remarks       | BFSL = Best Fit Straight Line<br>LS = limit value setting |
| Pack quantity | 1 pcs.  |

### Electrical connection

Connector: 1 x DEUTSCH connector (DT04-3P)



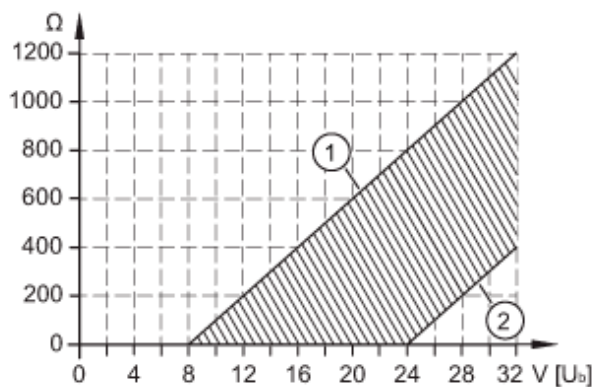
### Connection



OUT analog output

### Diagrams and graphs

Characteristic load curve current output



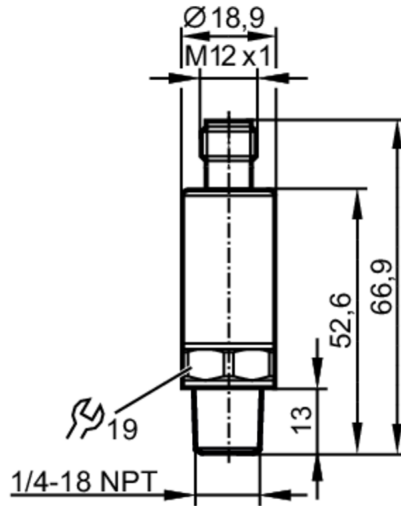
- 1: Max. load
- 2: Min. load

# PT2334



## Pressure transmitter

PT-030PSEN14-A-ZVG/US/ IW



### Product characteristics

|                              |  |              |
|------------------------------|--|--------------|
| Number of inputs and outputs | Number of analog outputs: 1                  |              |
| Measuring range              | 0...300 psi                                  | 0...2000 kPa |
| Process connection           | threaded connection 1/4" NPT external thread |              |

### Application

|  |                             |          |
|--|-----------------------------|----------|
| Application                                    | for industrial applications |          |
| Media  | liquids and gases           |          |
| Medium temperature [°C]                        | -40...90                    |          |
| Min. burst pressure                            | 8700 psi                    | 60 MPa   |
| Pressure rating                                | 940 psi                     | 6.5 MPa  |
| Note on pressure rating                        | static                      |          |
| Vacuum resistance                              | -14.5 psi                   | -0.1 MPa |
| Type of pressure                               | relative pressure           |          |
| MAWP (for applications according to CRN) [psi] | 940                         |          |

### Electrical data

|                                 |                 |  |
|---------------------------------|-----------------|--|
| Operating voltage [V]           | 8.5...36 DC     |  |
| Min. insulation resistance [MΩ] | 100; (500 V DC) |  |
| Protection class                | III             |  |
| Reverse polarity protection     | yes             |  |

### Inputs / outputs

|                              |                             |  |
|------------------------------|-----------------------------|--|
| Number of inputs and outputs | Number of analog outputs: 1 |  |
|------------------------------|-----------------------------|--|

### Outputs

|                            |               |  |
|----------------------------|---------------|--|
| Total number of outputs    | 1             |  |
| Output signal              | analog signal |  |
| Number of analog outputs   | 1             |  |
| Analog current output [mA] | 4...20        |  |

# PT2334



## Pressure transmitter

PT-030PSEN14-A-ZVG/US/ IW

|                     |     |  |
|---------------------|-----|--|
| Max. load           | [Ω] | 720; (U <sub>b</sub> = 24 V; (U <sub>b</sub> - 8,5 V) / 21,5 mA) |
| Short-circuit proof |     | yes  |
| Overload protection |     | yes  |

### Measuring/setting range

|                 |             |              |
|-----------------|-------------|--------------|
| Measuring range | 0...300 psi | 0...2000 kPa |
|-----------------|-------------|--------------|

### Accuracy / deviations

|   |                        |   |
|---|------------------------|---|
| Repeatability                               | [% of the span]        | < ± 0,05; (with temperature fluctuations < 10 K)  |
| Characteristics deviation                   | [% of the span]        | < ± 0,5; (incl. drift when overtightened, zero point and span error, non-linearity, hysteresis) |
| Linearity deviation                         | [% of the span]        | < ± 0,1 (BFSL) / < ± 0,2 (LS)   |
| Hysteresis deviation                        | [% of the span]        | < ± 0,2   |
| Long-term stability                         | [% of the span]        | < ± 0,1; (per 6 months)   |
| Temperature coefficient zero point and span | [% of the span / 10 K] | < 0,1 (-25...90 °C) / < 0,2 (-40...-25 °C)  |

### Reaction times

|                                  |      |   |
|----------------------------------|------|---|
| Step response time analog output | [ms] | 2 |
|----------------------------------|------|---|

### Operating conditions

|                     |      |               |
|---------------------|------|---------------|
| Ambient temperature | [°C] | -40...90      |
| Storage temperature | [°C] | -40...100     |
| Protection          |      | IP 67; IP 69K |

### Tests / approvals

|                              |   |                     |
|------------------------------|---|---------------------|
| EMC                          | DIN EN 61000-6-2  |                     |
|                              | DIN EN 61000-6-3  |                     |
| Shock resistance             | DIN EN 60068-2-27   | 50 g (11 ms)        |
| Vibration resistance         | DIN EN 60068-2-6  | 20 g (10...2000 Hz) |
| MTTF                         | [years]   | 789                 |
| UL approval                  | UL approval number  | J029                |
| Pressure equipment directive | sound engineering practice; can be used for group 2 fluids; group 1 fluids on request |                     |

### Mechanical data

|                               |      |   |
|-------------------------------|------|---|
| Weight                        | [g]  | 61.4  |
| Housing                       |      | tubular   |
| Dimensions                    | [mm] | Ø 18.9 / L = 66.9   |
| Material                      |      | stainless steel (630/1.4542/17-4 PH); stainless steel (1.4404 / 316L); PEI              |
| Materials (wetted parts)      |      | stainless steel (630/1.4542/17-4 PH)  |
| Min. pressure cycles          |      | 60 million; (at 1.2 times nominal pressure)   |
| Tightening torque             | [Nm] | < 50; (recommended tightening torque; Depends on lubrication, seal and pressure rating) |
| Process connection            |      | threaded connection 1/4" NPT external thread  |
| Restrictor element integrated |      | yes   |

# PT2334



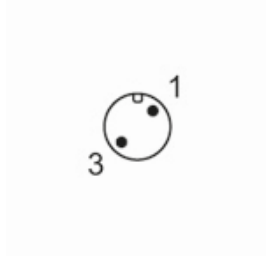
## Pressure transmitter

PT-030PSEN14-A-ZVG/US/ IW

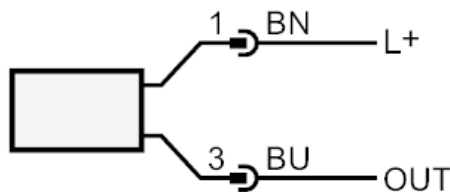
| Remarks       |   |
|---------------|---|
| Remarks       | BFSL = Best Fit Straight Line<br>LS = limit value setting |
| Pack quantity | 1 pcs.  |

### Electrical connection

Connector: 1 x M12; coding: A

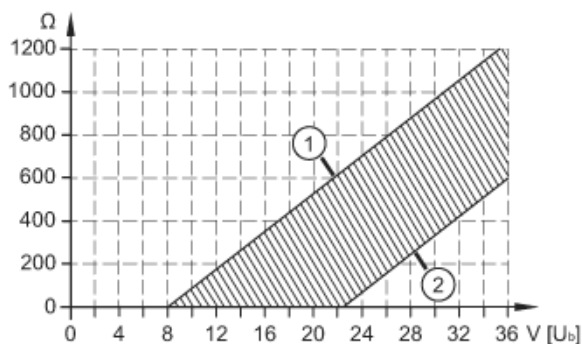


### Connection



OUT            analog output  
                  Colors to DIN EN 60947-5-2  
                  Core colors :  
 BN =            brown  
 BU =            blue

### Diagrams and graphs



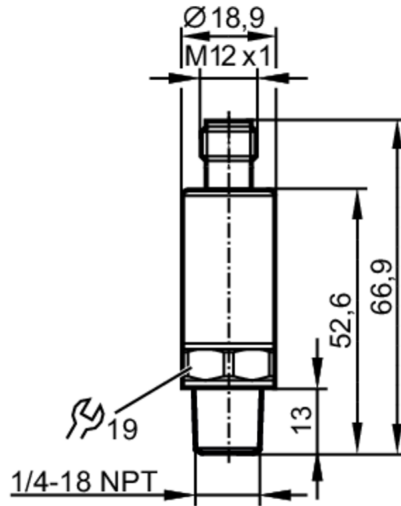
1: Max. load  
 2: Min. load

# PT2400



## Pressure transmitter

PT-500PSEN14-A-ZVG/US/ IW



| Product characteristics                        |  |
|--|--|
| Number of inputs and outputs                   | Number of analog outputs: 1                  |
| Measuring range                                | 0...5000 psi      0...34470 kPa              |
| Process connection                             | threaded connection 1/4" NPT external thread |
| Application                                    |  |
| Application                                    | for industrial applications                  |
| Media  | liquids and gases                            |
| Medium temperature [°C]                        | -40...90                                     |
| Min. burst pressure                            | 24650 psi      170 MPa                       |
| Pressure rating                                | 14500 psi      100 MPa                       |
| Note on pressure rating                        | static                                       |
| Vacuum resistance                              | -14.5 psi      -0.1 MPa                      |
| Type of pressure                               | relative pressure                            |
| MAWP (for applications according to CRN) [psi] | 12180  |
| Electrical data                                |  |
| Operating voltage [V]                          | 8.5...36 DC                                  |
| Min. insulation resistance [MΩ]                | 100; (500 V DC)                              |
| Protection class                               | III  |
| Reverse polarity protection                    | yes  |
| Power-on delay time [s]                        | < 0.1  |
| Inputs / outputs                               |  |
| Number of inputs and outputs                   | Number of analog outputs: 1                  |
| Outputs  |  |
| Total number of outputs                        | 1  |
| Output signal                                  | analog signal                                |
| Number of analog outputs                       | 1  |

# PT2400



## Pressure transmitter

PT-500PSEN14-A-ZVG/US/ IW

|   |                        |   |
|---|------------------------|---|
| Analog current output                       | [mA]                   | 4...20  |
| Max. load                                   | [Ω]                    | ( $U_b - 8,5 \text{ V}$ ) / 21,5 mA; @8,5V= 0 Ω; @12V max. 160 Ω; @24V max. 720 Ω               |
| Short-circuit proof                         |                        | yes   |
| Overload protection                         |                        | yes   |
| <b>Measuring/setting range</b>              |                        |   |
| Measuring range                             |                        | 0...5000 psi      0...34470 kPa   |
| <b>Accuracy / deviations</b>                |                        |   |
| Repeatability                               | [% of the span]        | < ± 0,05; (with temperature fluctuations < 10 K)  |
| Characteristics deviation                   | [% of the span]        | < ± 0,5; (incl. drift when overtightened, zero point and span error, non-linearity, hysteresis) |
| Linearity deviation                         | [% of the span]        | < ± 0,1 (BFSL) / < ± 0,2 (LS)   |
| Hysteresis deviation                        | [% of the span]        | < ± 0,2   |
| Long-term stability                         | [% of the span]        | < ± 0,1; (per 6 months)   |
| Temperature coefficient zero point and span | [% of the span / 10 K] | < 0,1 (-25...90 °C) / < 0,2 (-40...-25 °C)  |
| <b>Reaction times</b>                       |                        |   |
| Step response time analog output            | [ms]                   | 1   |
| <b>Operating conditions</b>                 |                        |   |
| Ambient temperature                         | [°C]                   | -40...90  |
| Storage temperature                         | [°C]                   | -40...100   |
| Protection                                  |                        | IP 67; IP 69K   |
| <b>Tests / approvals</b>                    |                        |   |
| EMC   |                        | DIN EN 61000-6-2<br>DIN EN 61000-6-3  |
| Shock resistance                            |                        | DIN EN 60068-2-27      50 g (11 ms)   |
| Vibration resistance                        |                        | DIN EN 60068-2-6      20 g (10...2000 Hz)   |
| MTTF  | [years]                | 784   |
| Pressure equipment directive                |                        | sound engineering practice; can be used for group 2 fluids; group 1 fluids on request           |
| <b>Mechanical data</b>                      |                        |   |
| Weight                                      | [g]                    | 61.1  |
| Housing                                     |                        | tubular   |
| Dimensions                                  | [mm]                   | Ø 18.9 / L = 66.9   |
| Material                                    |                        | stainless steel (630/1.4542/17-4 PH); stainless steel (1.4404 / 316L); PEI                      |
| Materials (wetted parts)                    |                        | stainless steel (630/1.4542/17-4 PH)  |
| Min. pressure cycles                        |                        | 60 million; (at 1.2 times nominal pressure)   |
| Tightening torque                           | [Nm]                   | < 50; (recommended tightening torque; Depends on lubrication, seal and pressure rating)         |
| Process connection                          |                        | threaded connection 1/4" NPT external thread  |
| Restrictor element integrated               |                        | no (can be retrofitted)   |

# PT2400



## Pressure transmitter

PT-500PSEN14-A-ZVG/US/ IW

### Remarks

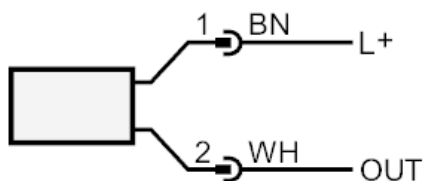
|               |                               |
|---------------|-------------------------------|
| Remarks       | BFSL = Best Fit Straight Line |
|               | LS = limit value setting      |
| Pack quantity | 1 pcs.                        |

### Electrical connection

Connector: 1 x M12; coding: A



### Connection



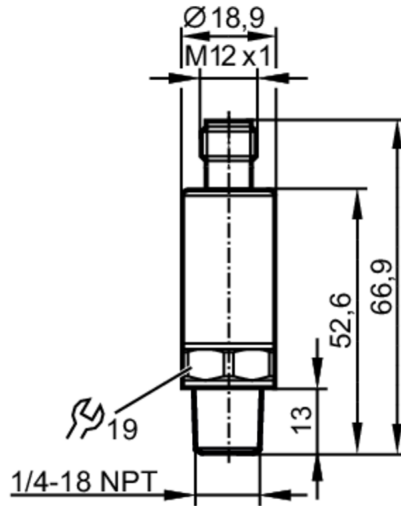
OUT            analog output  
                 Colors to DIN EN 60947-5-2  
                 Core colors :  
BN =            brown  
WH =            white

# PT2402



## Pressure transmitter

PT-100PSEN14-A-ZVG/US/ IW



| Product characteristics                        |  |
|--|--|
| Number of inputs and outputs                   | Number of analog outputs: 1                  |
| Measuring range                                | 0...1000 psi      0...6890 kPa               |
| Process connection                             | threaded connection 1/4" NPT external thread |
| Application                                    |  |
| Application                                    | for industrial applications                  |
| Media  | liquids and gases                            |
| Medium temperature [°C]                        | -40...90                                     |
| Min. burst pressure                            | 13050 psi      90 MPa                        |
| Pressure rating                                | 2500 psi      17 MPa                         |
| Note on pressure rating                        | static                                       |
| Vacuum resistance                              | -14.5 psi      -0.1 MPa                      |
| Type of pressure                               | relative pressure                            |
| MAWP (for applications according to CRN) [psi] | 2500   |
| Electrical data                                |  |
| Operating voltage [V]                          | 8.5...36 DC                                  |
| Min. insulation resistance [MΩ]                | 100; (500 V DC)                              |
| Protection class                               | III  |
| Reverse polarity protection                    | yes  |
| Power-on delay time [s]                        | < 0.1  |
| Inputs / outputs                               |  |
| Number of inputs and outputs                   | Number of analog outputs: 1                  |
| Outputs  |  |
| Total number of outputs                        | 1  |
| Output signal                                  | analog signal                                |
| Number of analog outputs                       | 1  |

# PT2402

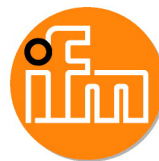


## Pressure transmitter

PT-100PSEN14-A-ZVG/US/ IW

|   |                        |  |
|---|------------------------|--|
| Analog current output                       | [mA]                   | 4...20   |
| Max. load                                   | [Ω]                    | $(U_b - 8,5 \text{ V}) / 21,5 \text{ mA}$ ; @8,5V= 0 Ω; @12V max. 160 Ω; @24V max. 720 Ω             |
| Short-circuit proof                         |                        | yes  |
| Overload protection                         |                        | yes  |
| <b>Measuring/setting range</b>              |                        |  |
| Measuring range                             |                        | 0...1000 psi      0...6890 kPa   |
| <b>Accuracy / deviations</b>                |                        |  |
| Repeatability                               | [% of the span]        | $< \pm 0,05$ ; (with temperature fluctuations $< 10 \text{ K}$ )                                     |
| Characteristics deviation                   | [% of the span]        | $< \pm 0,5$ ; (incl. drift when overtightened, zero point and span error, non-linearity, hysteresis) |
| Linearity deviation                         | [% of the span]        | $< \pm 0,1$ (BFSL) / $< \pm 0,2$ (LS)  |
| Hysteresis deviation                        | [% of the span]        | $< \pm 0,2$  |
| Long-term stability                         | [% of the span]        | $< \pm 0,1$ ; (per 6 months)   |
| Temperature coefficient zero point and span | [% of the span / 10 K] | $< 0,1$ (-25...90 °C) / $< 0,2$ (-40...-25 °C)   |
| <b>Reaction times</b>                       |                        |  |
| Step response time analog output            | [ms]                   | 1  |
| <b>Operating conditions</b>                 |                        |  |
| Ambient temperature                         | [°C]                   | -40...90   |
| Storage temperature                         | [°C]                   | -40...100  |
| Protection                                  |                        | IP 67; IP 69K  |
| <b>Tests / approvals</b>                    |                        |  |
| EMC   |                        | DIN EN 61000-6-2<br>DIN EN 61000-6-3   |
| Shock resistance                            |                        | 50 g (11 ms)   |
| Vibration resistance                        |                        | 20 g (10...2000 Hz)  |
| MTTF  | [years]                | 784  |
| Pressure equipment directive                |                        | sound engineering practice; can be used for group 2 fluids; group 1 fluids on request                |
| <b>Mechanical data</b>                      |                        |  |
| Weight                                      | [g]                    | 58   |
| Housing                                     |                        | tubular  |
| Dimensions                                  | [mm]                   | Ø 18.9 / L = 66.9  |
| Material                                    |                        | stainless steel (630/1.4542/17-4 PH); stainless steel (1.4404 / 316L); PEI                           |
| Materials (wetted parts)                    |                        | stainless steel (630/1.4542/17-4 PH)   |
| Min. pressure cycles                        |                        | 60 million; (at 1.2 times nominal pressure)  |
| Tightening torque                           | [Nm]                   | $< 50$ ; (recommended tightening torque; Depends on lubrication, seal and pressure rating)           |
| Process connection                          |                        | threaded connection 1/4" NPT external thread   |
| Restrictor element integrated               |                        | no (can be retrofitted)  |

# PT2402



## Pressure transmitter

PT-100PSEN14-A-ZVG/US/ IW

### Remarks

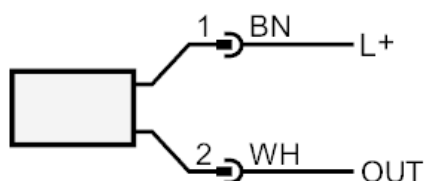
|               |   |
|---------------|---|
| Remarks       | BFSL = Best Fit Straight Line<br>LS = limit value setting |
| Pack quantity | 1 pcs.  |

### Electrical connection

Connector: 1 x M12; coding: A



### Connection



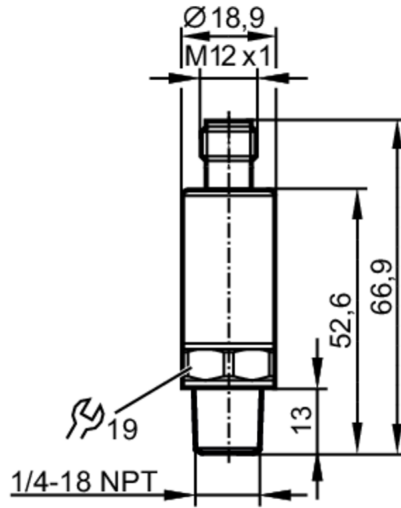
OUT            analog output  
                 Colors to DIN EN 60947-5-2  
                 Core colors :  
BN =            brown  
WH =            white

# PT2415



## Pressure transmitter

PT-010PSEN14-A-ZVG/US/ IW



### Product characteristics

|                              |  |             |
|------------------------------|--|-------------|
| Number of inputs and outputs | Number of analog outputs: 1                  |             |
| Measuring range              | 0...100 psi                                  | 0...690 kPa |
| Process connection           | threaded connection 1/4" NPT external thread |             |

### Application

|  |                             |          |
|--|-----------------------------|----------|
| Application                                    | for industrial applications |          |
| Media  | liquids and gases           |          |
| Medium temperature [°C]                        | -40...90                    |          |
| Min. burst pressure                            | 2900 psi                    | 20 MPa   |
| Pressure rating                                | 250 psi                     | 1.7 MPa  |
| Note on pressure rating                        | static                      |          |
| Vacuum resistance                              | -14.5 psi                   | -0.1 MPa |
| Type of pressure                               | relative pressure           |          |
| MAWP (for applications according to CRN) [psi] | 250                         |          |

### Electrical data

|                                 |                 |  |
|---------------------------------|-----------------|--|
| Operating voltage [V]           | 8.5...36 DC     |  |
| Min. insulation resistance [MΩ] | 100; (500 V DC) |  |
| Protection class                | III             |  |
| Reverse polarity protection     | yes             |  |
| Power-on delay time [s]         | < 0.1           |  |

### Inputs / outputs

|                              |                             |  |
|------------------------------|-----------------------------|--|
| Number of inputs and outputs | Number of analog outputs: 1 |  |
|------------------------------|-----------------------------|--|

### Outputs

|                          |               |  |
|--------------------------|---------------|--|
| Total number of outputs  | 1             |  |
| Output signal            | analog signal |  |
| Number of analog outputs | 1             |  |

# PT2415



## Pressure transmitter

PT-010PSEN14-A-ZVG/US/ IW

|   |                        |   |
|---|------------------------|---|
| Analog current output                       | [mA]                   | 4...20  |
| Max. load                                   | [Ω]                    | ( $U_b - 8,5 \text{ V}$ ) / 21,5 mA; @8,5V= 0 Ω; @12V max. 160 Ω; @24V max. 720 Ω               |
| Short-circuit proof                         |                        | yes   |
| Overload protection                         |                        | yes   |
| <b>Measuring/setting range</b>              |                        |   |
| Measuring range                             |                        | 0...100 psi      0...690 kPa  |
| <b>Accuracy / deviations</b>                |                        |   |
| Repeatability                               | [% of the span]        | < ± 0,05; (with temperature fluctuations < 10 K)  |
| Characteristics deviation                   | [% of the span]        | < ± 0,5; (incl. drift when overtightened, zero point and span error, non-linearity, hysteresis) |
| Linearity deviation                         | [% of the span]        | < ± 0,1 (BFSL) / < ± 0,2 (LS)   |
| Hysteresis deviation                        | [% of the span]        | < ± 0,2   |
| Long-term stability                         | [% of the span]        | < ± 0,1; (per 6 months)   |
| Temperature coefficient zero point and span | [% of the span / 10 K] | < 0,1 (-25...90 °C) / < 0,2 (-40...-25 °C)  |
| <b>Reaction times</b>                       |                        |   |
| Step response time analog output            | [ms]                   | 1   |
| <b>Operating conditions</b>                 |                        |   |
| Ambient temperature                         | [°C]                   | -40...90  |
| Storage temperature                         | [°C]                   | -40...100   |
| Protection                                  |                        | IP 67; IP 69K   |
| <b>Tests / approvals</b>                    |                        |   |
| EMC   |                        | DIN EN 61000-6-2<br>DIN EN 61000-6-3  |
| Shock resistance                            |                        | 50 g (11 ms)  |
| Vibration resistance                        |                        | 20 g (10...2000 Hz)   |
| MTTF  | [years]                | 784   |
| Pressure equipment directive                |                        | sound engineering practice; can be used for group 2 fluids; group 1 fluids on request           |
| <b>Mechanical data</b>                      |                        |   |
| Weight                                      | [g]                    | 57.5  |
| Housing                                     |                        | tubular   |
| Dimensions                                  | [mm]                   | Ø 18.9 / L = 66.9   |
| Material                                    |                        | stainless steel (630/1.4542/17-4 PH); stainless steel (1.4404 / 316L); PEI                      |
| Materials (wetted parts)                    |                        | stainless steel (630/1.4542/17-4 PH)  |
| Min. pressure cycles                        |                        | 60 million; (at 1.2 times nominal pressure)   |
| Tightening torque                           | [Nm]                   | < 50; (recommended tightening torque; Depends on lubrication, seal and pressure rating)         |
| Process connection                          |                        | threaded connection 1/4" NPT external thread  |
| Restrictor element integrated               |                        | no (can be retrofitted)   |

# PT2415



## Pressure transmitter

PT-010PSEN14-A-ZVG/US/ IW

### Remarks

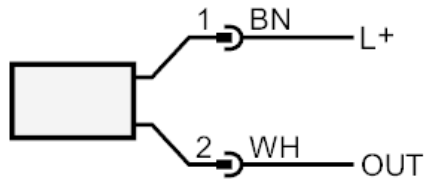
|               |   |
|---------------|---|
| Remarks       | BFSL = Best Fit Straight Line<br>LS = limit value setting |
| Pack quantity | 1 pcs.  |

### Electrical connection

Connector: 1 x M12; coding: A



### Connection



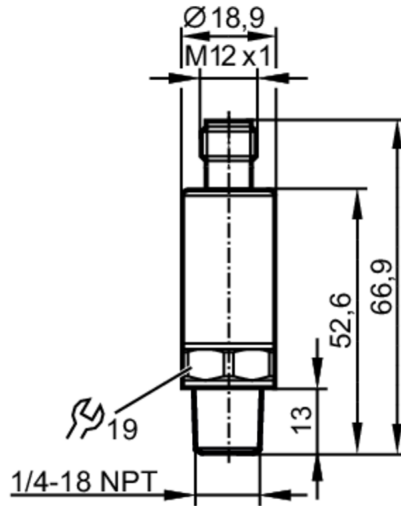
OUT            analog output  
                 Colors to DIN EN 60947-5-2  
                 Core colors :  
BN =            brown  
WH =            white

# PT2424



## Pressure transmitter

PT-020PSEN14-A-ZVG/US/ IW



### Product characteristics

|                              |  |              |
|------------------------------|--|--------------|
| Number of inputs and outputs | Number of analog outputs: 1                  |              |
| Measuring range              | 0...200 psi                                  | 0...1380 kPa |
| Process connection           | threaded connection 1/4" NPT external thread |              |

### Application

|  |                             |          |
|--|-----------------------------|----------|
| Application                                    | for industrial applications |          |
| Media  | liquids and gases           |          |
| Medium temperature [°C]                        | -40...90                    |          |
| Min. burst pressure                            | 6525 psi                    | 45 MPa   |
| Pressure rating                                | 580 psi                     | 4 MPa    |
| Note on pressure rating                        | static                      |          |
| Vacuum resistance                              | -14.5 psi                   | -0.1 MPa |
| Type of pressure                               | relative pressure           |          |
| MAWP (for applications according to CRN) [psi] | 580                         |          |

### Electrical data

|                                 |                 |  |
|---------------------------------|-----------------|--|
| Operating voltage [V]           | 8.5...36 DC     |  |
| Min. insulation resistance [MΩ] | 100; (500 V DC) |  |
| Protection class                | III             |  |
| Reverse polarity protection     | yes             |  |
| Power-on delay time [s]         | < 0.1           |  |

### Inputs / outputs

|                              |                             |  |
|------------------------------|-----------------------------|--|
| Number of inputs and outputs | Number of analog outputs: 1 |  |
|------------------------------|-----------------------------|--|

### Outputs

|                          |               |  |
|--------------------------|---------------|--|
| Total number of outputs  | 1             |  |
| Output signal            | analog signal |  |
| Number of analog outputs | 1             |  |

# PT2424



## Pressure transmitter

PT-020PSEN14-A-ZVG/US/ IW

|   |                        |   |
|---|------------------------|---|
| Analog current output                       | [mA]                   | 4...20  |
| Max. load                                   | [Ω]                    | ( $U_b - 8,5 \text{ V}$ ) / 21,5 mA; @8,5V= 0 Ω; @12V max. 160 Ω; @24V max. 720 Ω               |
| Short-circuit proof                         |                        | yes   |
| Overload protection                         |                        | yes   |
| <b>Measuring/setting range</b>              |                        |   |
| Measuring range                             |                        | 0...200 psi      0...1380 kPa   |
| <b>Accuracy / deviations</b>                |                        |   |
| Repeatability                               | [% of the span]        | < ± 0,05; (with temperature fluctuations < 10 K)  |
| Characteristics deviation                   | [% of the span]        | < ± 0,5; (incl. drift when overtightened, zero point and span error, non-linearity, hysteresis) |
| Linearity deviation                         | [% of the span]        | < ± 0,1 (BFSL) / < ± 0,2 (LS)   |
| Hysteresis deviation                        | [% of the span]        | < ± 0,2   |
| Long-term stability                         | [% of the span]        | < ± 0,1; (per 6 months)   |
| Temperature coefficient zero point and span | [% of the span / 10 K] | < 0,1 (-25...90 °C) / < 0,2 (-40...-25 °C)  |
| <b>Reaction times</b>                       |                        |   |
| Step response time analog output            | [ms]                   | 1   |
| <b>Operating conditions</b>                 |                        |   |
| Ambient temperature                         | [°C]                   | -40...90  |
| Storage temperature                         | [°C]                   | -40...100   |
| Protection                                  |                        | IP 67; IP 69K   |
| <b>Tests / approvals</b>                    |                        |   |
| EMC   |                        | DIN EN 61000-6-2<br>DIN EN 61000-6-3  |
| Shock resistance                            |                        | DIN EN 60068-2-27      50 g (11 ms)   |
| Vibration resistance                        |                        | DIN EN 60068-2-6      20 g (10...2000 Hz)   |
| MTTF  | [years]                | 784   |
| Pressure equipment directive                |                        | sound engineering practice; can be used for group 2 fluids; group 1 fluids on request           |
| <b>Mechanical data</b>                      |                        |   |
| Weight                                      | [g]                    | 57.5  |
| Housing                                     |                        | tubular   |
| Dimensions                                  | [mm]                   | Ø 18.9 / L = 66.9   |
| Material                                    |                        | stainless steel (630/1.4542/17-4 PH); stainless steel (1.4404 / 316L); PEI                      |
| Materials (wetted parts)                    |                        | stainless steel (630/1.4542/17-4 PH)  |
| Min. pressure cycles                        |                        | 60 million; (at 1.2 times nominal pressure)   |
| Tightening torque                           | [Nm]                   | < 50; (recommended tightening torque; Depends on lubrication, seal and pressure rating)         |
| Process connection                          |                        | threaded connection 1/4" NPT external thread  |
| Restrictor element integrated               |                        | no (can be retrofitted)   |

# PT2424



## Pressure transmitter

PT-020PSEN14-A-ZVG/US/ IW

### Remarks

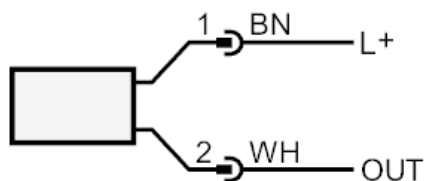
|               |   |
|---------------|---|
| Remarks       | BFSL = Best Fit Straight Line<br>LS = limit value setting |
| Pack quantity | 1 pcs.  |

### Electrical connection

Connector: 1 x M12; coding: A



### Connection



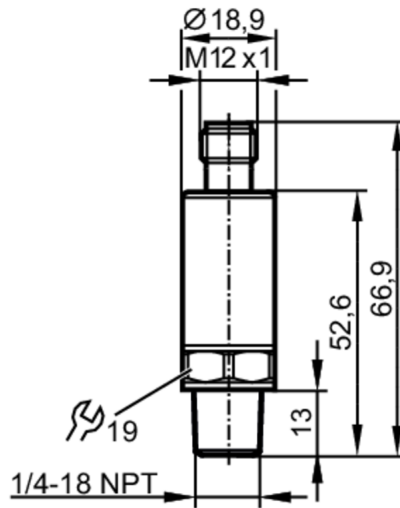
OUT            analog output  
                 Colors to DIN EN 60947-5-2  
                 Core colors :  
BN =            brown  
WH =            white

# PT2432



## Pressure transmitter

PT-300PSEN14-A-ZVG/US/ IW



### Product characteristics

|                              |  |               |
|------------------------------|--|---------------|
| Number of inputs and outputs | Number of analog outputs: 1                  |               |
| Measuring range              | 0...3000 psi                                 | 0...20680 kPa |
| Process connection           | threaded connection 1/4" NPT external thread |               |

### Application

|  |                             |          |
|--|-----------------------------|----------|
| Application                                    | for industrial applications |          |
| Media  | liquids and gases           |          |
| Medium temperature [°C]                        | -40...90                    |          |
| Min. burst pressure                            | 14500 psi                   | 100 MPa  |
| Pressure rating                                | 7250 psi                    | 50 MPa   |
| Note on pressure rating                        | static                      |          |
| Vacuum resistance                              | -14.5 psi                   | -0.1 MPa |
| Type of pressure                               | relative pressure           |          |
| MAWP (for applications according to CRN) [psi] | 7250                        |          |

### Electrical data

|                                 |                 |  |
|---------------------------------|-----------------|--|
| Operating voltage [V]           | 8.5...36 DC     |  |
| Min. insulation resistance [MΩ] | 100; (500 V DC) |  |
| Protection class                | III             |  |
| Reverse polarity protection     | yes             |  |
| Power-on delay time [s]         | < 0.1           |  |

### Inputs / outputs

|                              |                             |
|------------------------------|-----------------------------|
| Number of inputs and outputs | Number of analog outputs: 1 |
|------------------------------|-----------------------------|

### Outputs

|                          |               |
|--------------------------|---------------|
| Total number of outputs  | 1             |
| Output signal            | analog signal |
| Number of analog outputs | 1             |

# PT2432



## Pressure transmitter

PT-300PSEN14-A-ZVG/US/ IW

|   |                        |   |
|---|------------------------|---|
| Analog current output                       | [mA]                   | 4...20  |
| Max. load                                   | [Ω]                    | ( $U_b - 8,5 \text{ V}$ ) / 21,5 mA; @8,5V= 0 Ω; @12V max. 160 Ω; @24V max. 720 Ω               |
| Short-circuit proof                         |                        | yes   |
| Overload protection                         |                        | yes   |
| <b>Measuring/setting range</b>              |                        |   |
| Measuring range                             |                        | 0...3000 psi      0...20680 kPa   |
| <b>Accuracy / deviations</b>                |                        |   |
| Repeatability                               | [% of the span]        | < ± 0,05; (with temperature fluctuations < 10 K)  |
| Characteristics deviation                   | [% of the span]        | < ± 0,5; (incl. drift when overtightened, zero point and span error, non-linearity, hysteresis) |
| Linearity deviation                         | [% of the span]        | < ± 0,1 (BFSL) / < ± 0,2 (LS)   |
| Hysteresis deviation                        | [% of the span]        | < ± 0,2   |
| Long-term stability                         | [% of the span]        | < ± 0,1; (per 6 months)   |
| Temperature coefficient zero point and span | [% of the span / 10 K] | < 0,1 (-25...90 °C) / < 0,2 (-40...-25 °C)  |
| <b>Reaction times</b>                       |                        |   |
| Step response time analog output            | [ms]                   | 1   |
| <b>Operating conditions</b>                 |                        |   |
| Ambient temperature                         | [°C]                   | -40...90  |
| Storage temperature                         | [°C]                   | -40...100   |
| Protection                                  |                        | IP 67; IP 69K   |
| <b>Tests / approvals</b>                    |                        |   |
| EMC   |                        | DIN EN 61000-6-2<br>DIN EN 61000-6-3  |
| Shock resistance                            |                        | 50 g (11 ms)  |
| Vibration resistance                        |                        | 20 g (10...2000 Hz)   |
| MTTF  | [years]                | 784   |
| Pressure equipment directive                |                        | sound engineering practice; can be used for group 2 fluids; group 1 fluids on request           |
| <b>Mechanical data</b>                      |                        |   |
| Weight                                      | [g]                    | 60.3  |
| Housing                                     |                        | tubular   |
| Dimensions                                  | [mm]                   | Ø 18.9 / L = 66.9   |
| Material                                    |                        | stainless steel (630/1.4542/17-4 PH); stainless steel (1.4404 / 316L); PEI                      |
| Materials (wetted parts)                    |                        | stainless steel (630/1.4542/17-4 PH)  |
| Min. pressure cycles                        |                        | 60 million; (at 1.2 times nominal pressure)   |
| Tightening torque                           | [Nm]                   | < 50; (recommended tightening torque; Depends on lubrication, seal and pressure rating)         |
| Process connection                          |                        | threaded connection 1/4" NPT external thread  |
| Restrictor element integrated               |                        | no (can be retrofitted)   |

# PT2432



## Pressure transmitter

PT-300PSEN14-A-ZVG/US/ IW

### Remarks

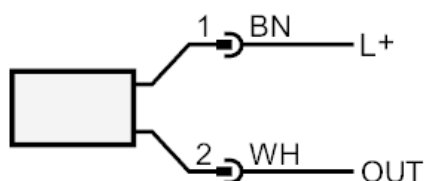
|               |   |
|---------------|---|
| Remarks       | BFSL = Best Fit Straight Line<br>LS = limit value setting |
| Pack quantity | 1 pcs.  |

### Electrical connection

Connector: 1 x M12; coding: A



### Connection



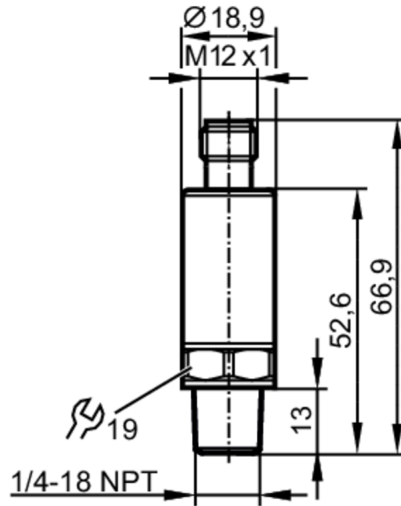
OUT            analog output  
                 Colors to DIN EN 60947-5-2  
                 Core colors :  
BN =            brown  
WH =            white

# PT2434



## Pressure transmitter

PT-030PSEN14-A-ZVG/US/ IW



### Product characteristics

|                              |  |              |
|------------------------------|--|--------------|
| Number of inputs and outputs | Number of analog outputs: 1                  |              |
| Measuring range              | 0...300 psi                                  | 0...2000 kPa |
| Process connection           | threaded connection 1/4" NPT external thread |              |

### Application

|  |                             |          |
|--|-----------------------------|----------|
| Application                                    | for industrial applications |          |
| Media  | liquids and gases           |          |
| Medium temperature [°C]                        | -40...90                    |          |
| Min. burst pressure                            | 8700 psi                    | 60 MPa   |
| Pressure rating                                | 940 psi                     | 6.5 MPa  |
| Note on pressure rating                        | static                      |          |
| Vacuum resistance                              | -14.5 psi                   | -0.1 MPa |
| Type of pressure                               | relative pressure           |          |
| MAWP (for applications according to CRN) [psi] | 940                         |          |

### Electrical data

|                                 |                 |  |
|---------------------------------|-----------------|--|
| Operating voltage [V]           | 8.5...36 DC     |  |
| Min. insulation resistance [MΩ] | 100; (500 V DC) |  |
| Protection class                | III             |  |
| Reverse polarity protection     | yes             |  |
| Power-on delay time [s]         | < 0.1           |  |

### Inputs / outputs

|                              |                             |  |
|------------------------------|-----------------------------|--|
| Number of inputs and outputs | Number of analog outputs: 1 |  |
|------------------------------|-----------------------------|--|

### Outputs

|                          |               |  |
|--------------------------|---------------|--|
| Total number of outputs  | 1             |  |
| Output signal            | analog signal |  |
| Number of analog outputs | 1             |  |

# PT2434



## Pressure transmitter

PT-030PSEN14-A-ZVG/US/ IW

|   |                        |  |
|---|------------------------|--|
| Analog current output                       | [mA]                   | 4...20   |
| Max. load                                   | [Ω]                    | $(U_b - 8,5 \text{ V}) / 21,5 \text{ mA}$ ; @8,5V= 0 Ω; @12V max. 160 Ω; @24V max. 720 Ω             |
| Short-circuit proof                         |                        | yes  |
| Overload protection                         |                        | yes  |
| <b>Measuring/setting range</b>              |                        |  |
| Measuring range                             | 0...300 psi            | 0...2000 kPa   |
| <b>Accuracy / deviations</b>                |                        |  |
| Repeatability                               | [% of the span]        | $< \pm 0,05$ ; (with temperature fluctuations $< 10 \text{ K}$ )                                     |
| Characteristics deviation                   | [% of the span]        | $< \pm 0,5$ ; (incl. drift when overtightened, zero point and span error, non-linearity, hysteresis) |
| Linearity deviation                         | [% of the span]        | $< \pm 0,1$ (BFSL) / $< \pm 0,2$ (LS)  |
| Hysteresis deviation                        | [% of the span]        | $< \pm 0,2$  |
| Long-term stability                         | [% of the span]        | $< \pm 0,1$ ; (per 6 months)   |
| Temperature coefficient zero point and span | [% of the span / 10 K] | $< 0,1$ (-25...90 °C) / $< 0,2$ (-40...-25 °C)   |
| <b>Reaction times</b>                       |                        |  |
| Step response time analog output            | [ms]                   | 1  |
| <b>Operating conditions</b>                 |                        |  |
| Ambient temperature                         | [°C]                   | -40...90   |
| Storage temperature                         | [°C]                   | -40...100  |
| Protection                                  |                        | IP 67; IP 69K  |
| <b>Tests / approvals</b>                    |                        |  |
| EMC   | DIN EN 61000-6-2       |  |
|   | DIN EN 61000-6-3       |  |
| Shock resistance                            | DIN EN 60068-2-27      | 50 g (11 ms)   |
| Vibration resistance                        | DIN EN 60068-2-6       | 20 g (10...2000 Hz)  |
| MTTF  | [years]                | 784  |
| Pressure equipment directive                |                        | sound engineering practice; can be used for group 2 fluids; group 1 fluids on request                |
| <b>Mechanical data</b>                      |                        |  |
| Weight                                      | [g]                    | 58   |
| Housing                                     |                        | tubular  |
| Dimensions                                  | [mm]                   | Ø 18.9 / L = 66.9  |
| Material                                    |                        | stainless steel (630/1.4542/17-4 PH); stainless steel (1.4404 / 316L); PEI                           |
| Materials (wetted parts)                    |                        | stainless steel (630/1.4542/17-4 PH)   |
| Min. pressure cycles                        |                        | 60 million; (at 1.2 times nominal pressure)  |
| Tightening torque                           | [Nm]                   | $< 50$ ; (recommended tightening torque; Depends on lubrication, seal and pressure rating)           |
| Process connection                          |                        | threaded connection 1/4" NPT external thread   |
| Restrictor element integrated               |                        | no (can be retrofitted)  |

# PT2434



## Pressure transmitter

PT-030PSEN14-A-ZVG/US/ IW

### Remarks

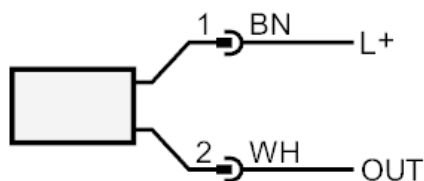
|               |   |
|---------------|---|
| Remarks       | BFSL = Best Fit Straight Line<br>LS = limit value setting |
| Pack quantity | 1 pcs.  |

### Electrical connection

Connector: 1 x M12; coding: A



### Connection



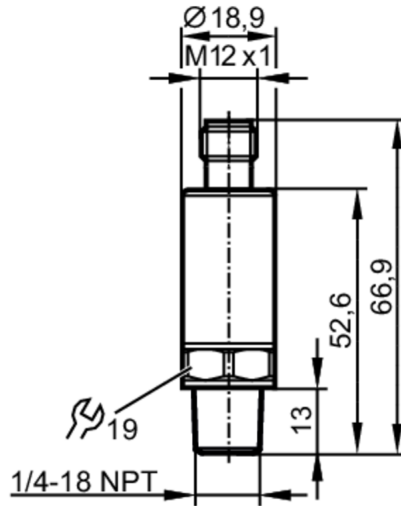
OUT            analog output  
                 Colors to DIN EN 60947-5-2  
                 Core colors :  
BN =            brown  
WH =            white

# PT2443



## Pressure transmitter

PT-050PSEN14-A-ZVG/US/ IW



| Product characteristics                        |  |
|--|--|
| Number of inputs and outputs                   | Number of analog outputs: 1                  |
| Measuring range                                | 0...500 psi      0...3450 kPa                |
| Process connection                             | threaded connection 1/4" NPT external thread |
| Application                                    |  |
| Application                                    | for industrial applications                  |
| Media  | liquids and gases                            |
| Medium temperature [°C]                        | -40...90                                     |
| Min. burst pressure                            | 11600 psi      80 MPa                        |
| Pressure rating                                | 1450 psi      10 MPa                         |
| Note on pressure rating                        | static                                       |
| Vacuum resistance                              | -14.5 psi      -0.1 MPa                      |
| Type of pressure                               | relative pressure                            |
| MAWP (for applications according to CRN) [psi] | 1450   |
| Electrical data                                |  |
| Operating voltage [V]                          | 8.5...36 DC                                  |
| Min. insulation resistance [MΩ]                | 100; (500 V DC)                              |
| Protection class                               | III  |
| Reverse polarity protection                    | yes  |
| Power-on delay time [s]                        | < 0.1  |
| Inputs / outputs                               |  |
| Number of inputs and outputs                   | Number of analog outputs: 1                  |
| Outputs  |  |
| Total number of outputs                        | 1  |
| Output signal                                  | analog signal                                |
| Number of analog outputs                       | 1  |

# PT2443



## Pressure transmitter

PT-050PSEN14-A-ZVG/US/ IW

|   |                        |   |
|---|------------------------|---|
| Analog current output                       | [mA]                   | 4...20  |
| Max. load                                   | [Ω]                    | ( $U_b - 8,5 \text{ V}$ ) / 21,5 mA; @8,5V= 0 Ω; @12V max. 160 Ω; @24V max. 720 Ω               |
| Short-circuit proof                         |                        | yes   |
| Overload protection                         |                        | yes   |
| <b>Measuring/setting range</b>              |                        |   |
| Measuring range                             |                        | 0...500 psi      0...3450 kPa   |
| <b>Accuracy / deviations</b>                |                        |   |
| Repeatability                               | [% of the span]        | < ± 0,05; (with temperature fluctuations < 10 K)  |
| Characteristics deviation                   | [% of the span]        | < ± 0,5; (incl. drift when overtightened, zero point and span error, non-linearity, hysteresis) |
| Linearity deviation                         | [% of the span]        | < ± 0,1 (BFSL) / < ± 0,2 (LS)   |
| Hysteresis deviation                        | [% of the span]        | < ± 0,2   |
| Long-term stability                         | [% of the span]        | < ± 0,1; (per 6 months)   |
| Temperature coefficient zero point and span | [% of the span / 10 K] | < 0,1 (-25...90 °C) / < 0,2 (-40...-25 °C)  |
| <b>Reaction times</b>                       |                        |   |
| Step response time analog output            | [ms]                   | 1   |
| <b>Operating conditions</b>                 |                        |   |
| Ambient temperature                         | [°C]                   | -40...90  |
| Storage temperature                         | [°C]                   | -40...100   |
| Protection                                  |                        | IP 67; IP 69K   |
| <b>Tests / approvals</b>                    |                        |   |
| EMC   |                        | DIN EN 61000-6-2<br>DIN EN 61000-6-3  |
| Shock resistance                            |                        | 50 g (11 ms)  |
| Vibration resistance                        |                        | 20 g (10...2000 Hz)   |
| MTTF  | [years]                | 784   |
| Pressure equipment directive                |                        | sound engineering practice; can be used for group 2 fluids; group 1 fluids on request           |
| <b>Mechanical data</b>                      |                        |   |
| Weight                                      | [g]                    | 57.5  |
| Housing                                     |                        | tubular   |
| Dimensions                                  | [mm]                   | Ø 18.9 / L = 66.9   |
| Material                                    |                        | stainless steel (630/1.4542/17-4 PH); stainless steel (1.4404 / 316L); PEI                      |
| Materials (wetted parts)                    |                        | stainless steel (630/1.4542/17-4 PH)  |
| Min. pressure cycles                        |                        | 60 million; (at 1.2 times nominal pressure)   |
| Tightening torque                           | [Nm]                   | < 50; (recommended tightening torque; Depends on lubrication, seal and pressure rating)         |
| Process connection                          |                        | threaded connection 1/4" NPT external thread  |
| Restrictor element integrated               |                        | no (can be retrofitted)   |

# PT2443



## Pressure transmitter

PT-050PSEN14-A-ZVG/US/ IW

### Remarks

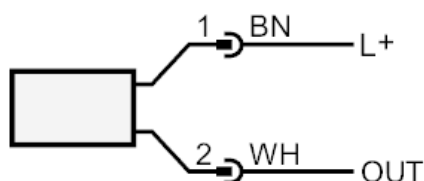
|               |   |
|---------------|---|
| Remarks       | BFSL = Best Fit Straight Line<br>LS = limit value setting |
| Pack quantity | 1 pcs.  |

### Electrical connection

Connector: 1 x M12; coding: A



### Connection



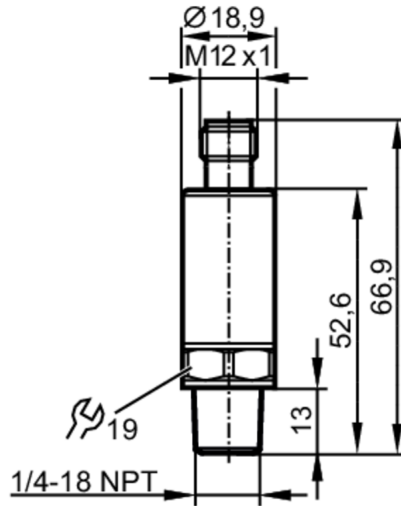
OUT            analog output  
                 Colors to DIN EN 60947-5-2  
                 Core colors :  
BN =            brown  
WH =            white

# PT2494



## Pressure transmitter

PT-020PSEN14-A-ZVG/US/ IW



### Product characteristics

|                              |  |                 |
|------------------------------|--|-----------------|
| Number of inputs and outputs | Number of analog outputs: 1                  |                 |
| Measuring range              | -14.5...200 psi                              | -100...1380 kPa |
| Process connection           | threaded connection 1/4" NPT external thread |                 |

### Application

|  |                             |          |
|--|-----------------------------|----------|
| Application                                    | for industrial applications |          |
| Media  | liquids and gases           |          |
| Medium temperature [°C]                        | -40...90                    |          |
| Min. burst pressure                            | 6525 psi                    | 45 MPa   |
| Pressure rating                                | 580 psi                     | 4 MPa    |
| Note on pressure rating                        | static                      |          |
| Vacuum resistance                              | -14.5 psi                   | -0.1 MPa |
| Type of pressure                               | relative pressure; vacuum   |          |
| MAWP (for applications according to CRN) [psi] | 580                         |          |

### Electrical data

|                                 |                 |  |
|---------------------------------|-----------------|--|
| Operating voltage [V]           | 8.5...36 DC     |  |
| Min. insulation resistance [MΩ] | 100; (500 V DC) |  |
| Protection class                | III             |  |
| Reverse polarity protection     | yes             |  |
| Power-on delay time [s]         | < 0.1           |  |

### Inputs / outputs

|                              |                             |
|------------------------------|-----------------------------|
| Number of inputs and outputs | Number of analog outputs: 1 |
|------------------------------|-----------------------------|

### Outputs

|                          |               |
|--------------------------|---------------|
| Total number of outputs  | 1             |
| Output signal            | analog signal |
| Number of analog outputs | 1             |

# PT2494



## Pressure transmitter

PT-020PSEN14-A-ZVG/US/ IW

|   |                        |   |
|---|------------------------|---|
| Analog current output                       | [mA]                   | 4...20  |
| Max. load                                   | [Ω]                    | ( $U_b - 8,5 \text{ V}$ ) / 21,5 mA; @8,5V= 0 Ω; @12V max. 160 Ω; @24V max. 720 Ω               |
| Short-circuit proof                         |                        | yes   |
| Overload protection                         |                        | yes   |
| <b>Measuring/setting range</b>              |                        |   |
| Measuring range                             |                        | -14.5...200 psi      -100...1380 kPa  |
| <b>Accuracy / deviations</b>                |                        |   |
| Repeatability                               | [% of the span]        | < ± 0,05; (with temperature fluctuations < 10 K)  |
| Characteristics deviation                   | [% of the span]        | < ± 0,5; (incl. drift when overtightened, zero point and span error, non-linearity, hysteresis) |
| Linearity deviation                         | [% of the span]        | < ± 0,1 (BFSL) / < ± 0,2 (LS)   |
| Hysteresis deviation                        | [% of the span]        | < ± 0,2   |
| Long-term stability                         | [% of the span]        | < ± 0,1; (per 6 months)   |
| Temperature coefficient zero point and span | [% of the span / 10 K] | < 0,1 (-25...90 °C) / < 0,2 (-40...-25 °C)  |
| <b>Reaction times</b>                       |                        |   |
| Step response time analog output            | [ms]                   | 1   |
| <b>Operating conditions</b>                 |                        |   |
| Ambient temperature                         | [°C]                   | -40...90  |
| Storage temperature                         | [°C]                   | -40...100   |
| Protection                                  |                        | IP 67; IP 69K   |
| <b>Tests / approvals</b>                    |                        |   |
| EMC   |                        | DIN EN 61000-6-2<br>DIN EN 61000-6-3  |
| Shock resistance                            |                        | 50 g (11 ms)  |
| Vibration resistance                        |                        | 20 g (10...2000 Hz)   |
| MTTF  | [years]                | 787   |
| UL approval                                 |                        | UL approval number J027   |
| Pressure equipment directive                |                        | sound engineering practice; can be used for group 2 fluids; group 1 fluids on request           |
| <b>Mechanical data</b>                      |                        |   |
| Weight                                      | [g]                    | 58  |
| Housing                                     |                        | tubular   |
| Dimensions                                  | [mm]                   | Ø 18.9 / L = 66.9   |
| Material                                    |                        | stainless steel (630/1.4542/17-4 PH); stainless steel (1.4404 / 316L); PEI                      |
| Materials (wetted parts)                    |                        | stainless steel (630/1.4542/17-4 PH)  |
| Min. pressure cycles                        |                        | 60 million; (at 1.2 times nominal pressure)   |
| Tightening torque                           | [Nm]                   | < 50; (recommended tightening torque; Depends on lubrication, seal and pressure rating)         |
| Process connection                          |                        | threaded connection 1/4" NPT external thread  |
| Restrictor element integrated               |                        | no (can be retrofitted)   |

# PT2494



## Pressure transmitter

PT-020PSEN14-A-ZVG/US/ IW

### Remarks

Remarks

BFSL = Best Fit Straight Line

LS = limit value setting

Pack quantity

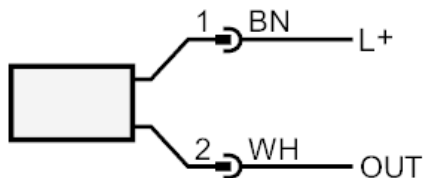
1 pcs.

### Electrical connection

Connector: 1 x M12; coding: A



### Connection



OUT            analog output  
                 Colors to DIN EN 60947-5-2  
                 Core colors :  
BN =            brown  
WH =            white

# PT3540



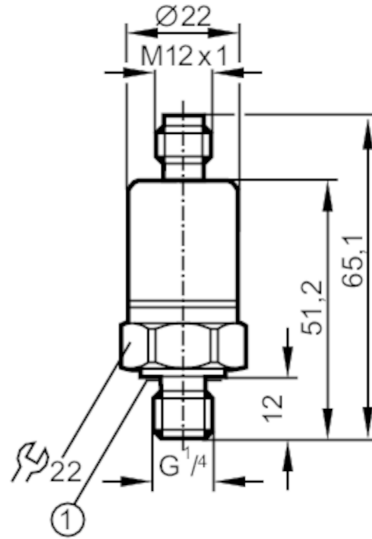
## Pressure transmitter

PT-400-SBG14-A-ZVG/US/ IW

Article to be discontinued

Alternative articles: PT5400

When selecting an alternative article and accessories please note that technical data may differ!



1 sealing  
Tightening torque 25 Nm



### Product characteristics

|                              |   |              |            |
|------------------------------|---|--------------|------------|
| Number of inputs and outputs | Number of analog outputs: 1               |              |            |
| Measuring range              | 0...400 bar                               | 0...5800 psi | 0...40 MPa |
| Process connection           | threaded connection G 1/4 external thread |              |            |

### Application

|                         |                             |           |         |
|-------------------------|-----------------------------|-----------|---------|
| Application             | for industrial applications |           |         |
| Media                   | liquids and gases           |           |         |
| Medium temperature [°C] | -25...90                    |           |         |
| Min. burst pressure     | 1600 bar                    | 23200 psi | 160 MPa |
| Pressure rating         | 600 bar                     | 8700 psi  | 60 MPa  |
| Type of pressure        | relative pressure           |           |         |

### Electrical data

|                                 |                 |  |  |
|---------------------------------|-----------------|--|--|
| Operating voltage [V]           | 8.5...36 DC     |  |  |
| Min. insulation resistance [MΩ] | 100; (500 V DC) |  |  |
| Protection class                | III             |  |  |
| Reverse polarity protection     | yes             |  |  |

### Inputs / outputs

|                              |                             |  |  |
|------------------------------|-----------------------------|--|--|
| Number of inputs and outputs | Number of analog outputs: 1 |  |  |
|------------------------------|-----------------------------|--|--|

### Outputs

|                         |               |  |  |
|-------------------------|---------------|--|--|
| Total number of outputs | 1             |  |  |
| Output signal           | analog signal |  |  |

# PT3540



## Pressure transmitter

PT-400-SBG14-A-ZVG/US/ IW

|                            |  |
|----------------------------|--|
| Number of analog outputs   | 1  |
| Analog current output [mA] | 4...20   |
| Max. load [ $\Omega$ ]     | 775; ( $U_b = 24\text{ V}$ ; ( $U_b - 8,5\text{ V}$ ) / 20 mA) |

### Measuring/setting range

|                 |             |              |            |
|-----------------|-------------|--------------|------------|
| Measuring range | 0...400 bar | 0...5800 psi | 0...40 MPa |
|-----------------|-------------|--------------|------------|

### Accuracy / deviations

|   |   |
|---|---|
| Repeatability [% of the span]                             | $< \pm 0,1$ ; (with temperature fluctuations $< 10\text{ K}$ )            |
| Characteristics deviation [% of the span]                 | $< \pm 1,0$ ; (incl. drift due to tightening torque, zero and span error) |
| Linearity deviation [% of the span]                       | $< \pm 0,25$ (BFSL) / $< \pm 0,5$ (LS)                                    |
| Hysteresis deviation [% of the span]                      | $< \pm 0,2$   |
| Long-term stability [% of the span]                       | $< \pm 0,1$ ; (per 6 months)  |
| Temperature coefficient zero point [% of the span / 10 K] | $< \pm 0,1$ ; ( $-25...90\text{ }^\circ\text{C}$ )                        |
| Temperature coefficient span [% of the span / 10 K]       | $< \pm 0,1$ ; ( $-25...90\text{ }^\circ\text{C}$ )                        |

### Reaction times

|                                       |   |
|---------------------------------------|---|
| Step response time analog output [ms] | 3 |
|---------------------------------------|---|

### Operating conditions

|  |               |
|--|---------------|
| Ambient temperature [ $^\circ\text{C}$ ] | $-25...90$    |
| Storage temperature [ $^\circ\text{C}$ ] | $-40...100$   |
| Protection                               | IP 67; IP 69K |

### Tests / approvals

|                              |   |                          |
|------------------------------|---|--------------------------|
| EMC                          | EN 61000-4-2 ESD  | 4 kV CD / 8 kV AD        |
|                              | EN 61000-4-3 HF radiated  | 10 V/m                   |
|                              | EN 61000-4-4 Burst  | 4 kV coupling clamp      |
|                              | EN 61000-4-5 Surge  | 1 kV signal for DC units |
|                              | EN 61000-4-6 HF conducted   | 10 V                     |
|                              | Shock resistance  | DIN IEC 68-2-27          |
| Vibration resistance         | DIN IEC 68-2-6  | 20 g (10...2000 Hz)      |
| MTTF [years]                 |   | 1579                     |
| Pressure equipment directive | sound engineering practice; can be used for group 2 fluids; group 1 fluids on request |                          |

### Mechanical data

|                          |   |
|--------------------------|---|
| Weight [g]               | 83  |
| Housing                  | tubular                                       |
| Dimensions [mm]          | $\varnothing 22 / L = 65,1$                   |
| Material                 | stainless steel (1.4404 / 316L); PA           |
| Materials (wetted parts) | stainless steel (1.4404 / 316L); sealing: FKM |
| Min. pressure cycles     | 50 million                                    |
| Process connection       | threaded connection G 1/4 external thread     |

# PT3540



## Pressure transmitter

PT-400-SBG14-A-ZVG/US/ IW

Restrictor element integrated | no (can be retrofitted)

### Remarks

Remarks | BFSL = Best Fit Straight Line

LS = limit value setting

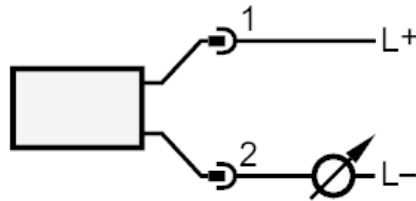
Pack quantity | 1 pcs.

### Electrical connection

Connector: 1 x M12; coding: A



### Connection



# PT3541



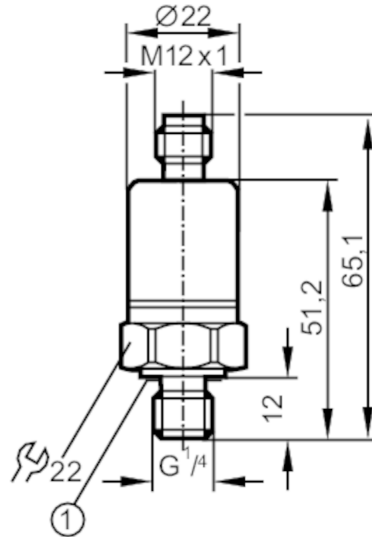
## Pressure transmitter

PT-250-SBG14-A-ZVG/US/ IW

Article to be discontinued

Alternative articles: PT5401

When selecting an alternative article and accessories please note that technical data may differ!



1 sealing  
Tightening torque 25 Nm



### Product characteristics

|                              |   |              |            |
|------------------------------|---|--------------|------------|
| Number of inputs and outputs | Number of analog outputs: 1               |              |            |
| Measuring range              | 0...250 bar                               | 0...3625 psi | 0...25 MPa |
| Process connection           | threaded connection G 1/4 external thread |              |            |

### Application

|                         |                             |           |         |
|-------------------------|-----------------------------|-----------|---------|
| Application             | for industrial applications |           |         |
| Media                   | liquids and gases           |           |         |
| Medium temperature [°C] | -25...90                    |           |         |
| Min. burst pressure     | 1000 bar                    | 14500 psi | 100 MPa |
| Pressure rating         | 400 bar                     | 5800 psi  | 40 MPa  |
| Type of pressure        | relative pressure           |           |         |

### Electrical data

|                                 |                 |  |  |
|---------------------------------|-----------------|--|--|
| Operating voltage [V]           | 8.5...36 DC     |  |  |
| Min. insulation resistance [MΩ] | 100; (500 V DC) |  |  |
| Protection class                | III             |  |  |
| Reverse polarity protection     | yes             |  |  |

### Inputs / outputs

|                              |                             |  |  |
|------------------------------|-----------------------------|--|--|
| Number of inputs and outputs | Number of analog outputs: 1 |  |  |
|------------------------------|-----------------------------|--|--|

### Outputs

|                         |               |  |  |
|-------------------------|---------------|--|--|
| Total number of outputs | 1             |  |  |
| Output signal           | analog signal |  |  |

# PT3541



## Pressure transmitter

PT-250-SBG14-A-ZVG/US/ IW

|                            |  |
|----------------------------|--|
| Number of analog outputs   | 1  |
| Analog current output [mA] | 4...20   |
| Max. load [ $\Omega$ ]     | 775; ( $U_b = 24\text{ V}$ ; ( $U_b - 8,5\text{ V}$ ) / 20 mA) |

### Measuring/setting range

|                 |             |              |            |
|-----------------|-------------|--------------|------------|
| Measuring range | 0...250 bar | 0...3625 psi | 0...25 MPa |
|-----------------|-------------|--------------|------------|

### Accuracy / deviations

|   |   |
|---|---|
| Repeatability [% of the span]                             | $< \pm 0,1$ ; (with temperature fluctuations $< 10\text{ K}$ )            |
| Characteristics deviation [% of the span]                 | $< \pm 1,0$ ; (incl. drift due to tightening torque, zero and span error) |
| Linearity deviation [% of the span]                       | $< \pm 0,25$ (BFSL) / $< \pm 0,5$ (LS)                                    |
| Hysteresis deviation [% of the span]                      | $< \pm 0,2$   |
| Long-term stability [% of the span]                       | $< \pm 0,1$ ; (per 6 months)  |
| Temperature coefficient zero point [% of the span / 10 K] | $< \pm 0,1$ ; ( $-25...90\text{ }^\circ\text{C}$ )                        |
| Temperature coefficient span [% of the span / 10 K]       | $< \pm 0,1$ ; ( $-25...90\text{ }^\circ\text{C}$ )                        |

### Reaction times

|                                       |   |
|---------------------------------------|---|
| Step response time analog output [ms] | 3 |
|---------------------------------------|---|

### Operating conditions

|  |               |
|--|---------------|
| Ambient temperature [ $^\circ\text{C}$ ] | $-25...90$    |
| Storage temperature [ $^\circ\text{C}$ ] | $-40...100$   |
| Protection                               | IP 67; IP 69K |

### Tests / approvals

|                              |   |                          |
|------------------------------|---|--------------------------|
| EMC                          | EN 61000-4-2 ESD  | 4 kV CD / 8 kV AD        |
|                              | EN 61000-4-3 HF radiated  | 10 V/m                   |
|                              | EN 61000-4-4 Burst  | 4 kV coupling clamp      |
|                              | EN 61000-4-5 Surge  | 1 kV signal for DC units |
|                              | EN 61000-4-6 HF conducted   | 10 V                     |
|                              | Shock resistance  | DIN IEC 68-2-27          |
| Vibration resistance         | DIN IEC 68-2-6  | 20 g (10...2000 Hz)      |
| MTTF [years]                 |   | 1579                     |
| Pressure equipment directive | sound engineering practice; can be used for group 2 fluids; group 1 fluids on request |                          |

### Mechanical data

|                          |   |
|--------------------------|---|
| Weight [g]               | 82.5  |
| Housing                  | tubular                                       |
| Dimensions [mm]          | $\varnothing 22 / L = 65.1$                   |
| Material                 | stainless steel (1.4404 / 316L); PA           |
| Materials (wetted parts) | stainless steel (1.4404 / 316L); sealing: FKM |
| Min. pressure cycles     | 50 million                                    |
| Process connection       | threaded connection G 1/4 external thread     |

# PT3541



## Pressure transmitter

PT-250-SBG14-A-ZVG/US/ IW

Restrictor element integrated | no (can be retrofitted)

### Remarks

Remarks | BFSL = Best Fit Straight Line

LS = limit value setting

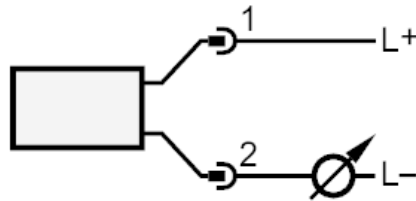
Pack quantity | 1 pcs.

### Electrical connection

Connector: 1 x M12; coding: A



### Connection



# PT3542



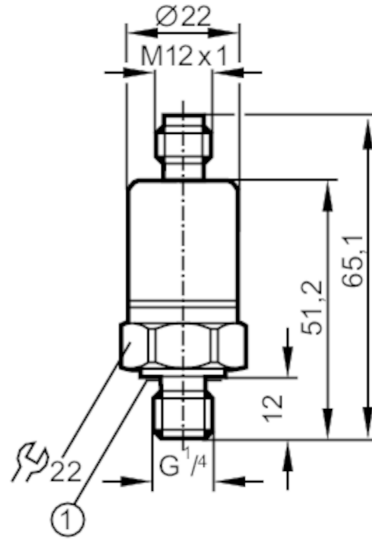
## Pressure transmitter

PT-100-SBG14-A-ZVG/US/ IW

Article to be discontinued

Alternative articles: PT5402

When selecting an alternative article and accessories please note that technical data may differ!



1 sealing  
Tightening torque 25 Nm



### Product characteristics

|                              |   |              |            |
|------------------------------|---|--------------|------------|
| Number of inputs and outputs | Number of analog outputs: 1               |              |            |
| Measuring range              | 0...100 bar                               | 0...1450 psi | 0...10 MPa |
| Process connection           | threaded connection G 1/4 external thread |              |            |

### Application

|                         |                             |           |         |
|-------------------------|-----------------------------|-----------|---------|
| Application             | for industrial applications |           |         |
| Media                   | liquids and gases           |           |         |
| Medium temperature [°C] | -25...90                    |           |         |
| Min. burst pressure     | 1000 bar                    | 14500 psi | 100 MPa |
| Pressure rating         | 200 bar                     | 2900 psi  | 20 MPa  |
| Type of pressure        | relative pressure           |           |         |

### Electrical data

|                                 |                 |  |  |
|---------------------------------|-----------------|--|--|
| Operating voltage [V]           | 8.5...36 DC     |  |  |
| Min. insulation resistance [MΩ] | 100; (500 V DC) |  |  |
| Protection class                | III             |  |  |
| Reverse polarity protection     | yes             |  |  |

### Inputs / outputs

|                              |                             |  |  |
|------------------------------|-----------------------------|--|--|
| Number of inputs and outputs | Number of analog outputs: 1 |  |  |
|------------------------------|-----------------------------|--|--|

### Outputs

|                         |               |  |  |
|-------------------------|---------------|--|--|
| Total number of outputs | 1             |  |  |
| Output signal           | analog signal |  |  |

# PT3542



## Pressure transmitter

PT-100-SBG14-A-ZVG/US/ IW

|                            |  |
|----------------------------|--|
| Number of analog outputs   | 1  |
| Analog current output [mA] | 4...20   |
| Max. load [ $\Omega$ ]     | 775; ( $U_b = 24\text{ V}$ ; ( $U_b - 8,5\text{ V}$ ) / 20 mA) |

### Measuring/setting range

|                 |             |              |            |
|-----------------|-------------|--------------|------------|
| Measuring range | 0...100 bar | 0...1450 psi | 0...10 MPa |
|-----------------|-------------|--------------|------------|

### Accuracy / deviations

|   |   |
|---|---|
| Repeatability [% of the span]                             | $< \pm 0,1$ ; (with temperature fluctuations $< 10\text{ K}$ )            |
| Characteristics deviation [% of the span]                 | $< \pm 1,0$ ; (incl. drift due to tightening torque, zero and span error) |
| Linearity deviation [% of the span]                       | $< \pm 0,25$ (BFSL) / $< \pm 0,5$ (LS)                                    |
| Hysteresis deviation [% of the span]                      | $< \pm 0,2$   |
| Long-term stability [% of the span]                       | $< \pm 0,1$ ; (per 6 months)  |
| Temperature coefficient zero point [% of the span / 10 K] | $< \pm 0,1$ ; ( $-25...90\text{ }^\circ\text{C}$ )                        |
| Temperature coefficient span [% of the span / 10 K]       | $< \pm 0,1$ ; ( $-25...90\text{ }^\circ\text{C}$ )                        |

### Reaction times

|                                       |   |
|---------------------------------------|---|
| Step response time analog output [ms] | 3 |
|---------------------------------------|---|

### Operating conditions

|  |               |
|--|---------------|
| Ambient temperature [ $^\circ\text{C}$ ] | $-25...90$    |
| Storage temperature [ $^\circ\text{C}$ ] | $-40...100$   |
| Protection                               | IP 67; IP 69K |

### Tests / approvals

|                              |   |                          |
|------------------------------|---|--------------------------|
| EMC                          | EN 61000-4-2 ESD  | 4 kV CD / 8 kV AD        |
|                              | EN 61000-4-3 HF radiated  | 10 V/m                   |
|                              | EN 61000-4-4 Burst  | 4 kV coupling clamp      |
|                              | EN 61000-4-5 Surge  | 1 kV signal for DC units |
|                              | EN 61000-4-6 HF conducted   | 10 V                     |
|                              | Shock resistance  | DIN IEC 68-2-27          |
| Vibration resistance         | DIN IEC 68-2-6  | 20 g (10...2000 Hz)      |
| MTTF [years]                 |   | 1579                     |
| Pressure equipment directive | sound engineering practice; can be used for group 2 fluids; group 1 fluids on request |                          |

### Mechanical data

|                          |   |
|--------------------------|---|
| Weight [g]               | 81.5  |
| Housing                  | tubular                                       |
| Dimensions [mm]          | $\varnothing 22 / L = 65.1$                   |
| Material                 | stainless steel (1.4404 / 316L); PA           |
| Materials (wetted parts) | stainless steel (1.4404 / 316L); sealing: FKM |
| Min. pressure cycles     | 50 million                                    |
| Process connection       | threaded connection G 1/4 external thread     |

# PT3542



## Pressure transmitter

PT-100-SBG14-A-ZVG/US/ IW

Restrictor element integrated | no (can be retrofitted)

### Remarks

Remarks | BFSL = Best Fit Straight Line

LS = limit value setting

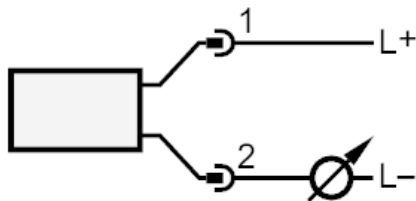
Pack quantity | 1 pcs.

### Electrical connection

Connector: 1 x M12; coding: A



### Connection



# PT3543



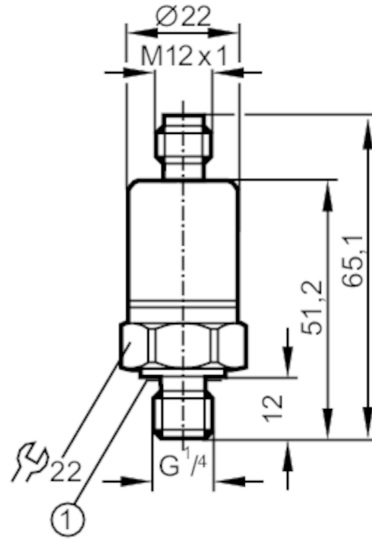
## Pressure transmitter

PT-025-SBG14-A-ZVG/US/ IW

Article to be discontinued

Alternative articles: PT5403

When selecting an alternative article and accessories please note that technical data may differ!



- 1 sealing  
Tightening torque 25 Nm



### Product characteristics

|                              |   |             |             |
|------------------------------|---|-------------|-------------|
| Number of inputs and outputs | Number of analog outputs: 1               |             |             |
| Measuring range              | 0...25 bar                                | 0...363 psi | 0...2.5 MPa |
| Process connection           | threaded connection G 1/4 external thread |             |             |

### Application

|                         |                             |          |        |
|-------------------------|-----------------------------|----------|--------|
| Application             | for industrial applications |          |        |
| Media                   | liquids and gases           |          |        |
| Medium temperature [°C] | -25...90                    |          |        |
| Min. burst pressure     | 600 bar                     | 7253 psi | 60 MPa |
| Pressure rating         | 60 bar                      | 870 psi  | 6 MPa  |
| Type of pressure        | relative pressure           |          |        |

### Electrical data

|                                 |                 |  |  |
|---------------------------------|-----------------|--|--|
| Operating voltage [V]           | 8.5...36 DC     |  |  |
| Min. insulation resistance [MΩ] | 100; (500 V DC) |  |  |
| Protection class                | III             |  |  |
| Reverse polarity protection     | yes             |  |  |

### Inputs / outputs

|                              |                             |  |  |
|------------------------------|-----------------------------|--|--|
| Number of inputs and outputs | Number of analog outputs: 1 |  |  |
|------------------------------|-----------------------------|--|--|

### Outputs

|                         |               |  |  |
|-------------------------|---------------|--|--|
| Total number of outputs | 1             |  |  |
| Output signal           | analog signal |  |  |

# PT3543



## Pressure transmitter

PT-025-SBG14-A-ZVG/US/ IW

|                            |  |
|----------------------------|--|
| Number of analog outputs   | 1  |
| Analog current output [mA] | 4...20   |
| Max. load [ $\Omega$ ]     | 775; ( $U_b = 24\text{ V}$ ; ( $U_b - 8,5\text{ V}$ ) / 20 mA) |

### Measuring/setting range

|                 |            |             |             |
|-----------------|------------|-------------|-------------|
| Measuring range | 0...25 bar | 0...363 psi | 0...2.5 MPa |
|-----------------|------------|-------------|-------------|

### Accuracy / deviations

|   |   |
|---|---|
| Repeatability [% of the span]                             | $< \pm 0,1$ ; (with temperature fluctuations $< 10\text{ K}$ )            |
| Characteristics deviation [% of the span]                 | $< \pm 1,8$ ; (incl. drift due to tightening torque, zero and span error) |
| Linearity deviation [% of the span]                       | $< \pm 0,25$ (BFSL) / $< \pm 0,5$ (LS)                                    |
| Hysteresis deviation [% of the span]                      | $< \pm 0,2$   |
| Long-term stability [% of the span]                       | $< \pm 0,1$ ; (per 6 months)  |
| Temperature coefficient zero point [% of the span / 10 K] | $< \pm 0,1$ ; ( $-25...90\text{ }^\circ\text{C}$ )                        |
| Temperature coefficient span [% of the span / 10 K]       | $< \pm 0,1$ ; ( $-25...90\text{ }^\circ\text{C}$ )                        |

### Reaction times

|                                       |   |
|---------------------------------------|---|
| Step response time analog output [ms] | 3 |
|---------------------------------------|---|

### Operating conditions

|  |               |
|--|---------------|
| Ambient temperature [ $^\circ\text{C}$ ] | $-25...90$    |
| Storage temperature [ $^\circ\text{C}$ ] | $-40...100$   |
| Protection                               | IP 67; IP 69K |

### Tests / approvals

|                              |   |                          |
|------------------------------|---|--------------------------|
| EMC                          | EN 61000-4-2 ESD  | 4 kV CD / 8 kV AD        |
|                              | EN 61000-4-3 HF radiated  | 10 V/m                   |
|                              | EN 61000-4-4 Burst  | 4 kV coupling clamp      |
|                              | EN 61000-4-5 Surge  | 1 kV signal for DC units |
|                              | EN 61000-4-6 HF conducted   | 10 V                     |
|                              | Shock resistance  | DIN IEC 68-2-27          |
| Vibration resistance         | DIN IEC 68-2-6  | 20 g (10...2000 Hz)      |
| MTTF [years]                 |   | 1579                     |
| Pressure equipment directive | sound engineering practice; can be used for group 2 fluids; group 1 fluids on request |                          |

### Mechanical data

|                          |   |
|--------------------------|---|
| Weight [g]               | 81.6  |
| Housing                  | tubular                                       |
| Dimensions [mm]          | $\varnothing 22 / L = 65.1$                   |
| Material                 | stainless steel (1.4404 / 316L); PA           |
| Materials (wetted parts) | stainless steel (1.4404 / 316L); sealing: FKM |
| Min. pressure cycles     | 50 million                                    |
| Process connection       | threaded connection G 1/4 external thread     |

# PT3543



## Pressure transmitter

PT-025-SBG14-A-ZVG/US/ IW

Restrictor element integrated | no (can be retrofitted)

### Remarks

Remarks | BFSL = Best Fit Straight Line

LS = limit value setting

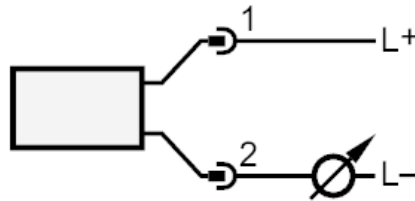
Pack quantity | 1 pcs.

### Electrical connection

Connector: 1 x M12; coding: A



### Connection



# PT3544



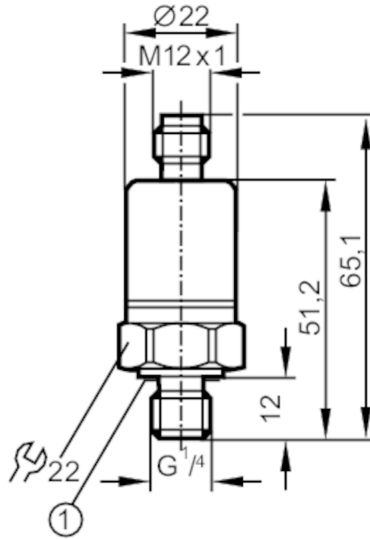
## Pressure transmitter

PT-010-RBG14-A-ZVG/US/ IW

Article to be discontinued

Alternative articles: PT5404

When selecting an alternative article and accessories please note that technical data may differ!



1 sealing  
Tightening torque 25 Nm



### Product characteristics

|                              |   |             |              |           |
|------------------------------|---|-------------|--------------|-----------|
| Number of inputs and outputs | Number of analog outputs: 1               |             |              |           |
| Measuring range              | 0...10 bar                                | 0...145 psi | 0...1000 kPa | 0...1 MPa |
| Process connection           | threaded connection G 1/4 external thread |             |              |           |

### Application

|                         |                             |          |         |  |
|-------------------------|-----------------------------|----------|---------|--|
| Application             | for industrial applications |          |         |  |
| Media                   | liquids and gases           |          |         |  |
| Medium temperature [°C] | -25...90                    |          |         |  |
| Min. burst pressure     | 300 bar                     | 4350 psi | 30 MPa  |  |
| Pressure rating         | 25 bar                      | 362 psi  | 2.5 MPa |  |
| Type of pressure        | relative pressure           |          |         |  |

### Electrical data

|                                 |                 |  |  |  |
|---------------------------------|-----------------|--|--|--|
| Operating voltage [V]           | 8.5...36 DC     |  |  |  |
| Min. insulation resistance [MΩ] | 100; (500 V DC) |  |  |  |
| Protection class                | III             |  |  |  |
| Reverse polarity protection     | yes             |  |  |  |

### Inputs / outputs

|                              |                             |  |  |  |
|------------------------------|-----------------------------|--|--|--|
| Number of inputs and outputs | Number of analog outputs: 1 |  |  |  |
|------------------------------|-----------------------------|--|--|--|

### Outputs

|                         |               |  |  |  |
|-------------------------|---------------|--|--|--|
| Total number of outputs | 1             |  |  |  |
| Output signal           | analog signal |  |  |  |

# PT3544



## Pressure transmitter

PT-010-RBG14-A-ZVG/US/ IW

|                            |  |
|----------------------------|--|
| Number of analog outputs   | 1  |
| Analog current output [mA] | 4...20   |
| Max. load [ $\Omega$ ]     | 775; ( $U_b = 24\text{ V}$ ; ( $U_b - 8,5\text{ V}$ ) / 20 mA) |

### Measuring/setting range

|                 |            |             |              |           |
|-----------------|------------|-------------|--------------|-----------|
| Measuring range | 0...10 bar | 0...145 psi | 0...1000 kPa | 0...1 MPa |
|-----------------|------------|-------------|--------------|-----------|

### Accuracy / deviations

|   |   |
|---|---|
| Repeatability [% of the span]                             | < $\pm 0,1$ ; (with temperature fluctuations < 10 K)                      |
| Characteristics deviation [% of the span]                 | < $\pm 1,0$ ; (incl. drift due to tightening torque, zero and span error) |
| Linearity deviation [% of the span]                       | < $\pm 0,25$ (BFSL) / < $\pm 0,5$ (LS)                                    |
| Hysteresis deviation [% of the span]                      | < $\pm 0,2$   |
| Long-term stability [% of the span]                       | < $\pm 0,1$ ; (per 6 months)  |
| Temperature coefficient zero point [% of the span / 10 K] | < $\pm 0,1$ ; (-25...90 °C)   |
| Temperature coefficient span [% of the span / 10 K]       | < $\pm 0,1$ ; (-25...90 °C)   |

### Reaction times

|                                       |   |
|---------------------------------------|---|
| Step response time analog output [ms] | 3 |
|---------------------------------------|---|

### Operating conditions

|                          |               |
|--------------------------|---------------|
| Ambient temperature [°C] | -25...90      |
| Storage temperature [°C] | -40...100     |
| Protection               | IP 67; IP 69K |

### Tests / approvals

|                              |   |                          |
|------------------------------|---|--------------------------|
| EMC                          | EN 61000-4-2 ESD  | 4 kV CD / 8 kV AD        |
|                              | EN 61000-4-3 HF radiated  | 10 V/m                   |
|                              | EN 61000-4-4 Burst  | 4 kV coupling clamp      |
|                              | EN 61000-4-5 Surge  | 1 kV signal for DC units |
|                              | EN 61000-4-6 HF conducted   | 10 V                     |
|                              | Shock resistance  | DIN IEC 68-2-27          |
| Vibration resistance         | DIN IEC 68-2-6  | 20 g (10...2000 Hz)      |
| MTTF [years]                 |   | 1579                     |
| Pressure equipment directive | sound engineering practice; can be used for group 2 fluids; group 1 fluids on request |                          |

### Mechanical data

|                          |   |
|--------------------------|---|
| Weight [g]               | 85  |
| Housing                  | tubular                                       |
| Dimensions [mm]          | $\varnothing 22$ / L = 65.1                   |
| Material                 | stainless steel (1.4404 / 316L); PA           |
| Materials (wetted parts) | stainless steel (1.4404 / 316L); sealing: FKM |
| Min. pressure cycles     | 50 million                                    |
| Process connection       | threaded connection G 1/4 external thread     |

# PT3544



## Pressure transmitter

PT-010-RBG14-A-ZVG/US/ IW

Restrictor element integrated | no (can be retrofitted)

### Remarks

Remarks | BFSL = Best Fit Straight Line

LS = limit value setting

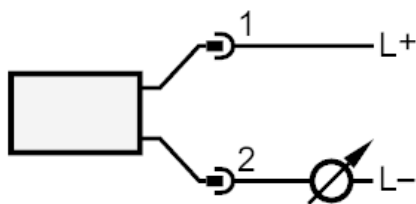
Pack quantity | 1 pcs.

### Electrical connection

Connector: 1 x M12; coding: A



### Connection

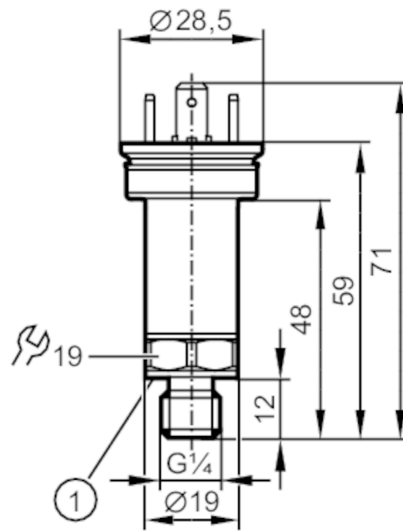


# PT5000



## Pressure transmitter

PT-400-SEG14-A-ZVG/VE



1 sealing



### Product characteristics

|                              |   |              |            |
|------------------------------|---|--------------|------------|
| Number of inputs and outputs | Number of analog outputs: 1                                   |              |            |
| Measuring range              | 0...400 bar   | 0...5800 psi | 0...40 MPa |
| Process connection           | threaded connection G 1/4 external thread (DIN EN ISO 1179-2) |              |            |

### Application

|                         |  |           |         |
|-------------------------|--|-----------|---------|
| Measuring element       | metallic thin film cell                              |           |         |
| Application             | for mobile applications; for industrial applications |           |         |
| Media                   | liquids and gases                                    |           |         |
| Medium temperature [°C] | -40...125  |           |         |
| Min. burst pressure     | 1700 bar   | 24655 psi | 170 MPa |
| Pressure rating         | 1000 bar   | 14500 psi | 100 MPa |
| Note on pressure rating | static   |           |         |
| Vacuum resistance       | -1000 mbar   | -0.1 MPa  |         |
| Type of pressure        | relative pressure                                    |           |         |

### Electrical data

|                                 |                 |  |  |
|---------------------------------|-----------------|--|--|
| Operating voltage [V]           | 8...36 DC       |  |  |
| Min. insulation resistance [MΩ] | 100; (500 V DC) |  |  |
| Protection class                | III             |  |  |
| Reverse polarity protection     | yes             |  |  |
| Power-on delay time [s]         | < 0.1           |  |  |

### Inputs / outputs

|                              |                             |  |  |
|------------------------------|-----------------------------|--|--|
| Number of inputs and outputs | Number of analog outputs: 1 |  |  |
|------------------------------|-----------------------------|--|--|

### Outputs

|                          |               |  |  |
|--------------------------|---------------|--|--|
| Total number of outputs  | 1             |  |  |
| Output signal            | analog signal |  |  |
| Number of analog outputs | 1             |  |  |

# PT5000



## Pressure transmitter

PT-400-SEG14-A-ZVG/VE

|                       |      |  |
|-----------------------|------|--|
| Analog current output | [mA] | 4...20   |
| Max. load             | [Ω]  | ( $U_b - 8\text{ V}$ ) / 21,5 mA ; @8V= 0 Ω ; @12V max. 200 Ω; @24V max. 750 Ω |
| Short-circuit proof   |      | yes  |
| Overload protection   |      | yes  |

### Measuring/setting range

|                 |             |              |            |
|-----------------|-------------|--------------|------------|
| Measuring range | 0...400 bar | 0...5800 psi | 0...40 MPa |
|-----------------|-------------|--------------|------------|

### Accuracy / deviations

|                                    |                        |   |
|------------------------------------|------------------------|---|
| Repeatability                      | [% of the span]        | < ± 0,05; (with temperature fluctuations < 10 K)  |
| Characteristics deviation          | [% of the span]        | < ± 0,5; (incl. drift when overtightened, zero point and span error, non-linearity, hysteresis) |
| Linearity deviation                | [% of the span]        | < ± 0,1 (BFSL) / < ± 0,2 (LS)   |
| Hysteresis deviation               | [% of the span]        | < ± 0,2   |
| Long-term stability                | [% of the span]        | < ± 0,1; (per 6 months)   |
| Temperature coefficient zero point | [% of the span / 10 K] | < ± 0,1 (0...80 °C); < ± 0,2 (-40...0 °C / 80...125 °C)   |
| Temperature coefficient span       | [% of the span / 10 K] | < ± 0,1 (0...80 °C); < ± 0,2 (-40...0 °C / 80...125 °C)   |

### Reaction times

|                                  |      |   |
|----------------------------------|------|---|
| Step response time analog output | [ms] | 2 |
|----------------------------------|------|---|

### Operating conditions

|                     |      |           |
|---------------------|------|-----------|
| Ambient temperature | [°C] | -40...100 |
| Storage temperature | [°C] | -40...100 |
| Protection          |      | IP 67     |

### Tests / approvals

|                              |   |  |
|------------------------------|---|--|
| EMC                          | Compliant with ECE R 10, rev. 5   | (E1 compliant)                         |
|                              | DIN EN ISO 13766-1 : 2018   | earth-moving and construction machines |
|                              | DIN EN ISO 14982 : 2009   | agricultural and forestry machines     |
|                              | ISO 11452-2   | 100 V/m                                |
|                              | ISO 7637-2 : 2011 pulse 1   | Test severity III. function state C    |
|                              | ISO 7637-2 : 2011 pulse 2b  | test severity IV. function state C     |
|                              | DIN EN 61326-1  |  |
| Shock resistance             | DIN EN 60068-2-27   | 500 g (1 ms)                           |
| Vibration resistance         | DIN EN 60068-2-6  | 20 g (10...2000 Hz)                    |
| MTTF                         | [years]   | 715                                    |
| UL approval                  | UL approval number  | J043                                   |
|                              | File number UL  | E174189                                |
| Pressure equipment directive | sound engineering practice; can be used for group 2 fluids; group 1 fluids on request |  |

### Mechanical data

|            |      |               |
|------------|------|---------------|
| Weight     | [g]  | 67.5          |
| Housing    |      | tubular       |
| Dimensions | [mm] | Ø 19 / L = 71 |

# PT5000



## Pressure transmitter

PT-400-SEG14-A-ZVG/VE

|                               |  |
|-------------------------------|--|
| Material                      | stainless steel (630/1.4542/17-4 PH); stainless steel (1.4404 / 316L); PPS                 |
| Materials (wetted parts)      | stainless steel (630/1.4542/17-4 PH); stainless steel (1.4305 / 303)                       |
| Min. pressure cycles          | 60 million; (at 1.2 times nominal pressure)  |
| Tightening torque [Nm]        | 25...35; (recommended tightening torque; Depends on lubrication, seal and pressure rating) |
| Process connection            | threaded connection G 1/4 external thread (DIN EN ISO 1179-2)                              |
| Process connection sealing    | FKM (DIN EN ISO 1179-2)  |
| Restrictor element integrated | yes  |

### Remarks

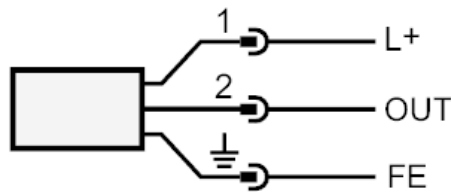
|               |   |
|---------------|---|
| Remarks       | BFSL = Best Fit Straight Line<br>LS = limit value setting |
| Pack quantity | 1 pcs.  |

### Electrical connection

Connector: 1 x valve plug type A DIN (EN175301-803-A)



### Connection



OUT analog output  
FE functional earth

# PT5000

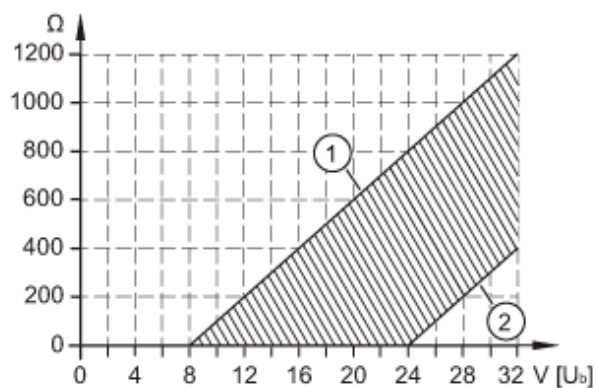


## Pressure transmitter

PT-400-SEG14-A-ZVG/VE

### Diagrams and graphs

Characteristic load curve current output



1: Max. load

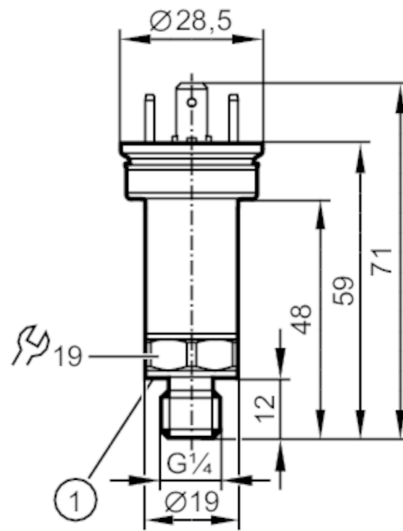
2: Min. load

# PT5001



## Pressure transmitter

PT-250-SEG14-A-ZVG/VE



1 sealing



### Product characteristics

|                              |   |              |            |
|------------------------------|---|--------------|------------|
| Number of inputs and outputs | Number of analog outputs: 1                                   |              |            |
| Measuring range              | 0...250 bar   | 0...3625 psi | 0...25 MPa |
| Process connection           | threaded connection G 1/4 external thread (DIN EN ISO 1179-2) |              |            |

### Application

|                         |  |           |          |
|-------------------------|--|-----------|----------|
| Measuring element       | metallic thin film cell                              |           |          |
| Application             | for mobile applications; for industrial applications |           |          |
| Media                   | liquids and gases                                    |           |          |
| Medium temperature [°C] | -40...125  |           |          |
| Min. burst pressure     | 1200 bar   | 17400 psi | 120 MPa  |
| Pressure rating         | 625 bar  | 9060 psi  | 62.5 MPa |
| Note on pressure rating | static   |           |          |
| Vacuum resistance       | -1000 mbar   | -0.1 MPa  |          |
| Type of pressure        | relative pressure                                    |           |          |

### Electrical data

|                                 |                 |  |  |
|---------------------------------|-----------------|--|--|
| Operating voltage [V]           | 8...36 DC       |  |  |
| Min. insulation resistance [MΩ] | 100; (500 V DC) |  |  |
| Protection class                | III             |  |  |
| Reverse polarity protection     | yes             |  |  |
| Power-on delay time [s]         | < 0.1           |  |  |

### Inputs / outputs

|                              |                             |  |  |
|------------------------------|-----------------------------|--|--|
| Number of inputs and outputs | Number of analog outputs: 1 |  |  |
|------------------------------|-----------------------------|--|--|

### Outputs

|                          |               |  |  |
|--------------------------|---------------|--|--|
| Total number of outputs  | 1             |  |  |
| Output signal            | analog signal |  |  |
| Number of analog outputs | 1             |  |  |

# PT5001



## Pressure transmitter

PT-250-SEG14-A-ZVG/VE

|                       |      |  |
|-----------------------|------|--|
| Analog current output | [mA] | 4...20   |
| Max. load             | [Ω]  | ( $U_b - 8\text{ V}$ ) / 21,5 mA ; @8V= 0 Ω ; @12V max. 200 Ω; @24V max. 750 Ω |
| Short-circuit proof   |      | yes  |
| Overload protection   |      | yes  |

### Measuring/setting range

|                 |             |              |            |
|-----------------|-------------|--------------|------------|
| Measuring range | 0...250 bar | 0...3625 psi | 0...25 MPa |
|-----------------|-------------|--------------|------------|

### Accuracy / deviations

|                                    |                        |   |
|------------------------------------|------------------------|---|
| Repeatability                      | [% of the span]        | < ± 0,05; (with temperature fluctuations < 10 K)  |
| Characteristics deviation          | [% of the span]        | < ± 0,5; (incl. drift when overtightened, zero point and span error, non-linearity, hysteresis) |
| Linearity deviation                | [% of the span]        | < ± 0,1 (BFSL) / < ± 0,2 (LS)   |
| Hysteresis deviation               | [% of the span]        | < ± 0,2   |
| Long-term stability                | [% of the span]        | < ± 0,1; (per 6 months)   |
| Temperature coefficient zero point | [% of the span / 10 K] | < ± 0,1 (0...80 °C); < ± 0,2 (-40...0 °C / 80...125 °C)   |
| Temperature coefficient span       | [% of the span / 10 K] | < ± 0,1 (0...80 °C); < ± 0,2 (-40...0 °C / 80...125 °C)   |

### Reaction times

|                                  |      |   |
|----------------------------------|------|---|
| Step response time analog output | [ms] | 2 |
|----------------------------------|------|---|

### Operating conditions

|                     |      |           |
|---------------------|------|-----------|
| Ambient temperature | [°C] | -40...100 |
| Storage temperature | [°C] | -40...100 |
| Protection          |      | IP 67     |

### Tests / approvals

|                              |   |  |
|------------------------------|---|--|
| EMC                          | Compliant with ECE R 10, rev. 5   | (E1 compliant)                         |
|                              | DIN EN ISO 13766-1 : 2018   | earth-moving and construction machines |
|                              | DIN EN ISO 14982 : 2009   | agricultural and forestry machines     |
|                              | ISO 11452-2   | 100 V/m                                |
|                              | ISO 7637-2 : 2011 pulse 1   | Test severity III. function state C    |
|                              | ISO 7637-2 : 2011 pulse 2b  | test severity IV. function state C     |
|                              | DIN EN 61326-1  |  |
| Shock resistance             | DIN EN 60068-2-27   | 500 g (1 ms)                           |
| Vibration resistance         | DIN EN 60068-2-6  | 20 g (10...2000 Hz)                    |
| MTTF                         | [years]   | 715                                    |
| UL approval                  | UL approval number  | J033                                   |
|                              | File number UL  | E174189                                |
| Pressure equipment directive | sound engineering practice; can be used for group 2 fluids; group 1 fluids on request |  |

### Mechanical data

|            |      |               |
|------------|------|---------------|
| Weight     | [g]  | 67.5          |
| Housing    |      | tubular       |
| Dimensions | [mm] | Ø 19 / L = 71 |

# PT5001



## Pressure transmitter

PT-250-SEG14-A-ZVG/VE

|                               |  |
|-------------------------------|--|
| Material                      | stainless steel (630/1.4542/17-4 PH); stainless steel (1.4404 / 316L); PPS                 |
| Materials (wetted parts)      | stainless steel (630/1.4542/17-4 PH); stainless steel (1.4305 / 303)                       |
| Min. pressure cycles          | 60 million; (at 1.2 times nominal pressure)  |
| Tightening torque [Nm]        | 25...35; (recommended tightening torque; Depends on lubrication, seal and pressure rating) |
| Process connection            | threaded connection G 1/4 external thread (DIN EN ISO 1179-2)                              |
| Process connection sealing    | FKM (DIN EN ISO 1179-2)  |
| Restrictor element integrated | yes  |

### Remarks

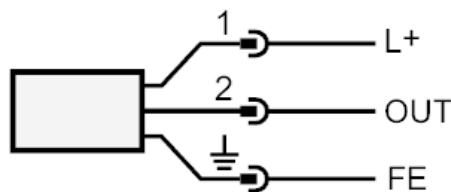
|               |   |
|---------------|---|
| Remarks       | BFSL = Best Fit Straight Line<br>LS = limit value setting |
| Pack quantity | 1 pcs.  |

### Electrical connection

Connector: 1 x valve plug type A DIN (EN175301-803-A)



### Connection



OUT analog output  
FE functional earth

# PT5001

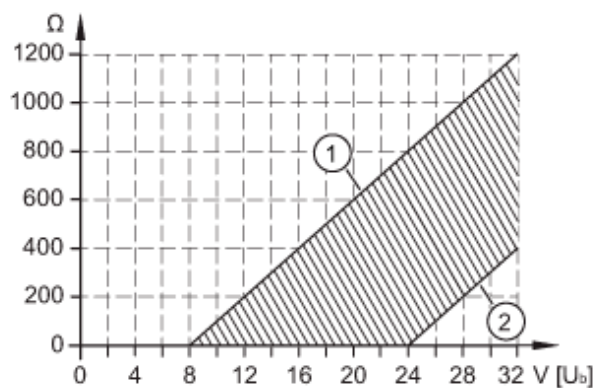


## Pressure transmitter

PT-250-SEG14-A-ZVG/VE

### Diagrams and graphs

Characteristic load curve current output



1: Max. load

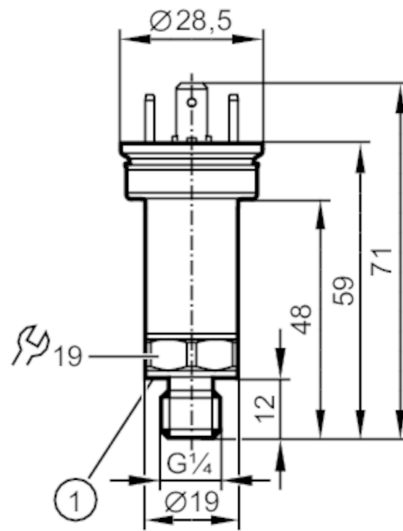
2: Min. load

# PT5002



## Pressure transmitter

PT-100-SEG14-A-ZVG/VE



1 sealing



### Product characteristics

|                              |   |              |            |
|------------------------------|---|--------------|------------|
| Number of inputs and outputs | Number of analog outputs: 1                                   |              |            |
| Measuring range              | 0...100 bar   | 0...1450 psi | 0...10 MPa |
| Process connection           | threaded connection G 1/4 external thread (DIN EN ISO 1179-2) |              |            |

### Application

|                         |  |           |         |
|-------------------------|--|-----------|---------|
| Measuring element       | metallic thin film cell                              |           |         |
| Application             | for mobile applications; for industrial applications |           |         |
| Media                   | liquids and gases                                    |           |         |
| Medium temperature [°C] | -40...125  |           |         |
| Min. burst pressure     | 1000 bar   | 14500 psi | 100 MPa |
| Pressure rating         | 250 bar  | 3625 psi  | 25 MPa  |
| Note on pressure rating | static   |           |         |
| Vacuum resistance       | -1000 mbar   | -0.1 MPa  |         |
| Type of pressure        | relative pressure                                    |           |         |

### Electrical data

|                                 |                 |  |  |
|---------------------------------|-----------------|--|--|
| Operating voltage [V]           | 8...36 DC       |  |  |
| Min. insulation resistance [MΩ] | 100; (500 V DC) |  |  |
| Protection class                | III             |  |  |
| Reverse polarity protection     | yes             |  |  |
| Power-on delay time [s]         | < 0.1           |  |  |

### Inputs / outputs

|                              |                             |  |  |
|------------------------------|-----------------------------|--|--|
| Number of inputs and outputs | Number of analog outputs: 1 |  |  |
|------------------------------|-----------------------------|--|--|

### Outputs

|                          |               |  |  |
|--------------------------|---------------|--|--|
| Total number of outputs  | 1             |  |  |
| Output signal            | analog signal |  |  |
| Number of analog outputs | 1             |  |  |

# PT5002



## Pressure transmitter

PT-100-SEG14-A-ZVG/VE

|                       |      |  |
|-----------------------|------|--|
| Analog current output | [mA] | 4...20   |
| Max. load             | [Ω]  | ( $U_b - 8\text{ V}$ ) / 21,5 mA ; @8V= 0 Ω ; @12V max. 200 Ω; @24V max. 750 Ω |
| Short-circuit proof   |      | yes  |
| Overload protection   |      | yes  |

### Measuring/setting range

|                 |             |              |            |
|-----------------|-------------|--------------|------------|
| Measuring range | 0...100 bar | 0...1450 psi | 0...10 MPa |
|-----------------|-------------|--------------|------------|

### Accuracy / deviations

|                                    |                        |   |
|------------------------------------|------------------------|---|
| Repeatability                      | [% of the span]        | < ± 0,05; (with temperature fluctuations < 10 K)  |
| Characteristics deviation          | [% of the span]        | < ± 0,5; (incl. drift when overtightened, zero point and span error, non-linearity, hysteresis) |
| Linearity deviation                | [% of the span]        | < ± 0,1 (BFSL) / < ± 0,2 (LS)   |
| Hysteresis deviation               | [% of the span]        | < ± 0,2   |
| Long-term stability                | [% of the span]        | < ± 0,1; (per 6 months)   |
| Temperature coefficient zero point | [% of the span / 10 K] | < ± 0,1 (0...80 °C); < ± 0,2 (-40...0 °C / 80...125 °C)   |
| Temperature coefficient span       | [% of the span / 10 K] | < ± 0,1 (0...80 °C); < ± 0,2 (-40...0 °C / 80...125 °C)   |

### Reaction times

|                                  |      |   |
|----------------------------------|------|---|
| Step response time analog output | [ms] | 2 |
|----------------------------------|------|---|

### Operating conditions

|                     |      |           |
|---------------------|------|-----------|
| Ambient temperature | [°C] | -40...100 |
| Storage temperature | [°C] | -40...100 |
| Protection          |      | IP 67     |

### Tests / approvals

|                              |   |  |
|------------------------------|---|--|
| EMC                          | Compliant with ECE R 10, rev. 5   | (E1 compliant)                         |
|                              | DIN EN ISO 13766-1 : 2018   | earth-moving and construction machines |
|                              | DIN EN ISO 14982 : 2009   | agricultural and forestry machines     |
|                              | ISO 11452-2   | 100 V/m                                |
|                              | ISO 7637-2 : 2011 pulse 1   | Test severity III. function state C    |
|                              | ISO 7637-2 : 2011 pulse 2b  | test severity IV. function state C     |
| Shock resistance             | DIN EN 61326-1  |  |
|                              | DIN EN 60068-2-27   | 500 g (1 ms)                           |
| Vibration resistance         | DIN EN 60068-2-6  | 20 g (10...2000 Hz)                    |
| MTTF                         | [years]   | 715                                    |
| UL approval                  | UL approval number  | J032                                   |
|                              | File number UL  | E174189                                |
| Pressure equipment directive | sound engineering practice; can be used for group 2 fluids; group 1 fluids on request |  |

### Mechanical data

|            |      |               |
|------------|------|---------------|
| Weight     | [g]  | 67.5          |
| Housing    |      | tubular       |
| Dimensions | [mm] | Ø 19 / L = 71 |

# PT5002



## Pressure transmitter

PT-100-SEG14-A-ZVG/VE

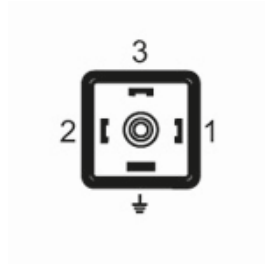
|                               |  |
|-------------------------------|--|
| Material                      | stainless steel (630/1.4542/17-4 PH); stainless steel (1.4404 / 316L); PPS                 |
| Materials (wetted parts)      | stainless steel (630/1.4542/17-4 PH); stainless steel (1.4305 / 303)                       |
| Min. pressure cycles          | 60 million; (at 1.2 times nominal pressure)  |
| Tightening torque [Nm]        | 25...35; (recommended tightening torque; Depends on lubrication, seal and pressure rating) |
| Process connection            | threaded connection G 1/4 external thread (DIN EN ISO 1179-2)                              |
| Process connection sealing    | FKM (DIN EN ISO 1179-2)  |
| Restrictor element integrated | yes  |

### Remarks

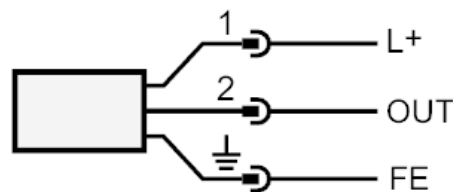
|               |   |
|---------------|---|
| Remarks       | BFSL = Best Fit Straight Line<br>LS = limit value setting |
| Pack quantity | 1 pcs.  |

### Electrical connection

Connector: 1 x valve plug type A DIN (EN175301-803-A)



### Connection



OUT analog output  
FE functional earth

# PT5002

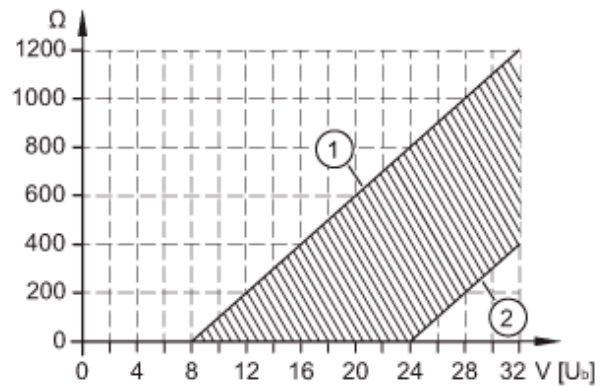


## Pressure transmitter

PT-100-SEG14-A-ZVG/VE

### Diagrams and graphs

Characteristic load curve current output



1: Max. load

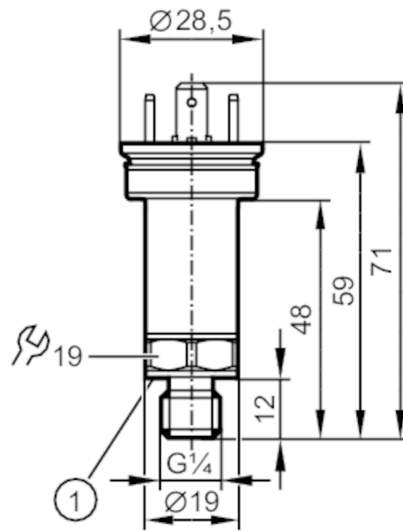
2: Min. load

# PT5003



## Pressure transmitter

PT-025-SEG14-A-ZVG/VE



1 sealing



### Product characteristics

|                              |   |             |             |
|------------------------------|---|-------------|-------------|
| Number of inputs and outputs | Number of analog outputs: 1                                   |             |             |
| Measuring range              | 0...25 bar  | 0...360 psi | 0...2.5 MPa |
| Process connection           | threaded connection G 1/4 external thread (DIN EN ISO 1179-2) |             |             |

### Application

|                         |  |          |         |
|-------------------------|--|----------|---------|
| Measuring element       | metallic thin film cell                              |          |         |
| Application             | for mobile applications; for industrial applications |          |         |
| Media                   | liquids and gases                                    |          |         |
| Medium temperature [°C] | -40...125  |          |         |
| Min. burst pressure     | 600 bar  | 8700 psi | 60 MPa  |
| Pressure rating         | 65 bar   | 940 psi  | 6.5 MPa |
| Note on pressure rating | static   |          |         |
| Vacuum resistance       | -1000 mbar   | -0.1 MPa |         |
| Type of pressure        | relative pressure                                    |          |         |

### Electrical data

|                                 |                 |  |  |
|---------------------------------|-----------------|--|--|
| Operating voltage [V]           | 8...36 DC       |  |  |
| Min. insulation resistance [MΩ] | 100; (500 V DC) |  |  |
| Protection class                | III             |  |  |
| Reverse polarity protection     | yes             |  |  |
| Power-on delay time [s]         | < 0.1           |  |  |

### Inputs / outputs

|                              |                             |  |  |
|------------------------------|-----------------------------|--|--|
| Number of inputs and outputs | Number of analog outputs: 1 |  |  |
|------------------------------|-----------------------------|--|--|

### Outputs

|                          |               |  |  |
|--------------------------|---------------|--|--|
| Total number of outputs  | 1             |  |  |
| Output signal            | analog signal |  |  |
| Number of analog outputs | 1             |  |  |

# PT5003



## Pressure transmitter

PT-025-SEG14-A-ZVG/VE

|                       |      |  |
|-----------------------|------|--|
| Analog current output | [mA] | 4...20   |
| Max. load             | [Ω]  | (U <sub>b</sub> - 8 V) / 21,5 mA ; @8V= 0 Ω ; @12V max. 200 Ω; @24V max. 750 Ω |
| Short-circuit proof   |      | yes  |
| Overload protection   |      | yes  |

### Measuring/setting range

|                 |            |             |             |
|-----------------|------------|-------------|-------------|
| Measuring range | 0...25 bar | 0...360 psi | 0...2.5 MPa |
|-----------------|------------|-------------|-------------|

### Accuracy / deviations

|                                    |                        |   |
|------------------------------------|------------------------|---|
| Repeatability                      | [% of the span]        | < ± 0,05; (with temperature fluctuations < 10 K)  |
| Characteristics deviation          | [% of the span]        | < ± 0,5; (incl. drift when overtightened, zero point and span error, non-linearity, hysteresis) |
| Linearity deviation                | [% of the span]        | < ± 0,1 (BFSL) / < ± 0,2 (LS)   |
| Hysteresis deviation               | [% of the span]        | < ± 0,2   |
| Long-term stability                | [% of the span]        | < ± 0,1; (per 6 months)   |
| Temperature coefficient zero point | [% of the span / 10 K] | < ± 0,1 (0...80 °C); < ± 0,2 (-40...0 °C / 80...125 °C)   |
| Temperature coefficient span       | [% of the span / 10 K] | < ± 0,1 (0...80 °C); < ± 0,2 (-40...0 °C / 80...125 °C)   |

### Reaction times

|                                  |      |   |
|----------------------------------|------|---|
| Step response time analog output | [ms] | 2 |
|----------------------------------|------|---|

### Operating conditions

|                     |      |           |
|---------------------|------|-----------|
| Ambient temperature | [°C] | -40...100 |
| Storage temperature | [°C] | -40...100 |
| Protection          |      | IP 67     |

### Tests / approvals

|                              |   |  |
|------------------------------|---|--|
| EMC                          | Compliant with ECE R 10, rev. 5   | (E1 compliant)                         |
|                              | DIN EN ISO 13766-1 : 2018   | earth-moving and construction machines |
|                              | DIN EN ISO 14982 : 2009   | agricultural and forestry machines     |
|                              | ISO 11452-2   | 100 V/m                                |
|                              | ISO 7637-2 : 2011 pulse 1   | Test severity III. function state C    |
|                              | ISO 7637-2 : 2011 pulse 2b  | test severity IV. function state C     |
|                              | DIN EN 61326-1  |  |
| Shock resistance             | DIN EN 60068-2-27   | 500 g (1 ms)                           |
| Vibration resistance         | DIN EN 60068-2-6  | 20 g (10...2000 Hz)                    |
| MTTF                         | [years]   | 715                                    |
| UL approval                  | UL approval number  | J032                                   |
|                              | File number UL  | E174189                                |
| Pressure equipment directive | sound engineering practice; can be used for group 2 fluids; group 1 fluids on request |  |

### Mechanical data

|            |      |               |
|------------|------|---------------|
| Weight     | [g]  | 67            |
| Housing    |      | tubular       |
| Dimensions | [mm] | Ø 19 / L = 71 |

# PT5003



## Pressure transmitter

PT-025-SEG14-A-ZVG/VE

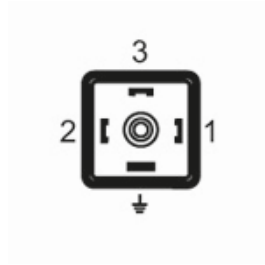
|                               |  |
|-------------------------------|--|
| Material                      | stainless steel (630/1.4542/17-4 PH); stainless steel (1.4404 / 316L); PPS                 |
| Materials (wetted parts)      | stainless steel (630/1.4542/17-4 PH); stainless steel (1.4305 / 303)                       |
| Min. pressure cycles          | 60 million; (at 1.2 times nominal pressure)  |
| Tightening torque [Nm]        | 25...35; (recommended tightening torque; Depends on lubrication, seal and pressure rating) |
| Process connection            | threaded connection G 1/4 external thread (DIN EN ISO 1179-2)                              |
| Process connection sealing    | FKM (DIN EN ISO 1179-2)  |
| Restrictor element integrated | yes  |

### Remarks

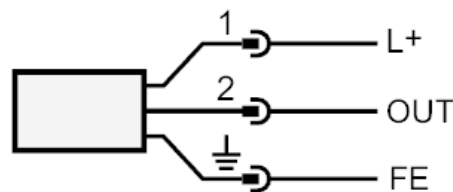
|               |   |
|---------------|---|
| Remarks       | BFSL = Best Fit Straight Line<br>LS = limit value setting |
| Pack quantity | 1 pcs.  |

### Electrical connection

Connector: 1 x valve plug type A DIN (EN175301-803-A)



### Connection



|     |                  |
|-----|------------------|
| OUT | analog output    |
| FE  | functional earth |

# PT5003

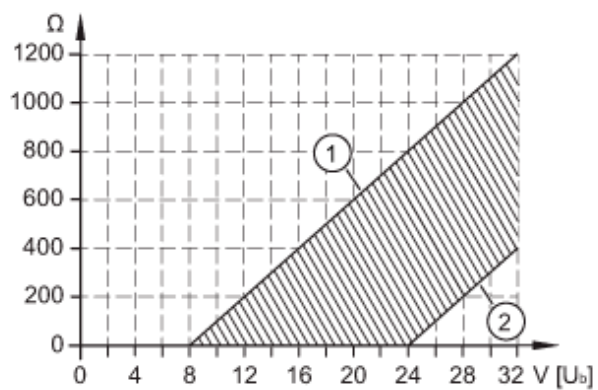


## Pressure transmitter

PT-025-SEG14-A-ZVG/VE

### Diagrams and graphs

Characteristic load curve current output



1: Max. load

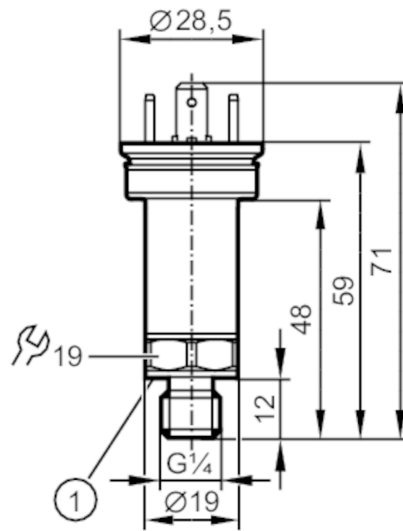
2: Min. load

# PT5004



## Pressure transmitter

PT-010-SEG14-A-ZVG/VE



1 sealing



### Product characteristics

|                              |   |             |              |           |
|------------------------------|---|-------------|--------------|-----------|
| Number of inputs and outputs | Number of analog outputs: 1                                   |             |              |           |
| Measuring range              | 0...10 bar  | 0...145 psi | 0...1000 kPa | 0...1 MPa |
| Process connection           | threaded connection G 1/4 external thread (DIN EN ISO 1179-2) |             |              |           |

### Application

|                         |  |          |         |
|-------------------------|--|----------|---------|
| Measuring element       | metallic thin film cell                              |          |         |
| Application             | for mobile applications; for industrial applications |          |         |
| Media                   | liquids and gases                                    |          |         |
| Medium temperature [°C] | -40...125  |          |         |
| Min. burst pressure     | 300 bar  | 4350 psi | 30 MPa  |
| Pressure rating         | 25 bar   | 360 psi  | 2.5 MPa |
| Note on pressure rating | static   |          |         |
| Vacuum resistance       | -1000 mbar   | -0.1 MPa |         |
| Type of pressure        | relative pressure                                    |          |         |

### Electrical data

|                                 |                 |  |  |
|---------------------------------|-----------------|--|--|
| Operating voltage [V]           | 8...36 DC       |  |  |
| Min. insulation resistance [MΩ] | 100; (500 V DC) |  |  |
| Protection class                | III             |  |  |
| Reverse polarity protection     | yes             |  |  |
| Power-on delay time [s]         | < 0.1           |  |  |

### Inputs / outputs

|                              |                             |  |  |
|------------------------------|-----------------------------|--|--|
| Number of inputs and outputs | Number of analog outputs: 1 |  |  |
|------------------------------|-----------------------------|--|--|

### Outputs

|                            |               |  |  |
|----------------------------|---------------|--|--|
| Output signal              | analog signal |  |  |
| Number of analog outputs   | 1             |  |  |
| Analog current output [mA] | 4...20        |  |  |

# PT5004



## Pressure transmitter

PT-010-SEG14-A-ZVG/VE

|                     |     |  |
|---------------------|-----|--|
| Max. load           | [Ω] | (U <sub>b</sub> - 8 V) / 21,5 mA ; @8V= 0 Ω ; @12V max. 200 Ω; @24V max. 750 Ω |
| Short-circuit proof |     | yes  |
| Overload protection |     | yes  |

### Measuring/setting range

|                 |            |             |              |           |
|-----------------|------------|-------------|--------------|-----------|
| Measuring range | 0...10 bar | 0...145 psi | 0...1000 kPa | 0...1 MPa |
|-----------------|------------|-------------|--------------|-----------|

### Accuracy / deviations

|                                    |                        |   |
|------------------------------------|------------------------|---|
| Repeatability                      | [% of the span]        | < ± 0,05; (with temperature fluctuations < 10 K)  |
| Characteristics deviation          | [% of the span]        | < ± 0,5; (incl. drift when overtightened, zero point and span error, non-linearity, hysteresis) |
| Linearity deviation                | [% of the span]        | < ± 0,1 (BFSL) / < ± 0,2 (LS)   |
| Hysteresis deviation               | [% of the span]        | < ± 0,2   |
| Long-term stability                | [% of the span]        | < ± 0,1; (per 6 months)   |
| Temperature coefficient zero point | [% of the span / 10 K] | < ± 0,1 (0...80 °C); < ± 0,2 (-40...0 °C / 80...125 °C)   |
| Temperature coefficient span       | [% of the span / 10 K] | < ± 0,1 (0...80 °C); < ± 0,2 (-40...0 °C / 80...125 °C)   |

### Reaction times

|                                  |      |   |
|----------------------------------|------|---|
| Step response time analog output | [ms] | 2 |
|----------------------------------|------|---|

### Operating conditions

|                     |      |           |
|---------------------|------|-----------|
| Ambient temperature | [°C] | -40...100 |
| Storage temperature | [°C] | -40...100 |
| Protection          |      | IP 67     |

### Tests / approvals

|                              |   |  |
|------------------------------|---|--|
| EMC                          | Compliant with ECE R 10, rev. 5   | (E1 compliant)                         |
|                              | DIN EN ISO 13766-1 : 2018   | earth-moving and construction machines |
|                              | DIN EN ISO 14982 : 2009   | agricultural and forestry machines     |
|                              | ISO 11452-2   | 100 V/m                                |
|                              | ISO 7637-2 : 2011 pulse 1   | Test severity III. function state C    |
|                              | ISO 7637-2 : 2011 pulse 2b  | test severity IV. function state C     |
|                              | DIN EN 61326-1  |  |
| Shock resistance             | DIN EN 60068-2-27   | 500 g (1 ms)                           |
| Vibration resistance         | DIN EN 60068-2-6  | 20 g (10...2000 Hz)                    |
| MTTF                         | [years]   | 715                                    |
| UL approval                  | UL approval number  | J078                                   |
|                              | File number UL  | E174189                                |
| Pressure equipment directive | sound engineering practice; can be used for group 2 fluids; group 1 fluids on request |  |

### Mechanical data

|            |      |  |
|------------|------|--|
| Weight     | [g]  | 67   |
| Housing    |      | tubular  |
| Dimensions | [mm] | Ø 19 / L = 71  |
| Material   |      | stainless steel (630/1.4542/17-4 PH); stainless steel (1.4404 / 316L); PPS |

# PT5004



## Pressure transmitter

PT-010-SEG14-A-ZVG/VE

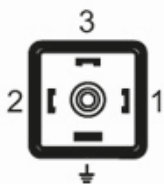
|                               |  |
|-------------------------------|--|
| Materials (wetted parts)      | stainless steel (630/1.4542/17-4 PH); stainless steel (1.4305 / 303)                       |
| Min. pressure cycles          | 60 million; (at 1.2 times nominal pressure)  |
| Tightening torque [Nm]        | 25...35; (recommended tightening torque; Depends on lubrication, seal and pressure rating) |
| Process connection            | threaded connection G 1/4 external thread (DIN EN ISO 1179-2)                              |
| Process connection sealing    | FKM (DIN EN ISO 1179-2)  |
| Restrictor element integrated | yes  |

### Remarks

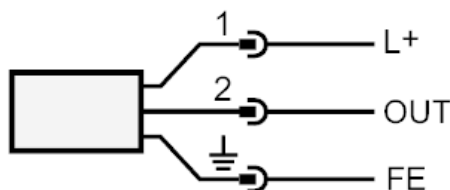
|               |   |
|---------------|---|
| Remarks       | BFSL = Best Fit Straight Line<br>LS = limit value setting |
| Pack quantity | 1 pcs.  |

### Electrical connection

Connector: 1 x valve plug type A DIN (EN175301-803-A)



### Connection



OUT            analog output  
FE             functional earth

# PT5004

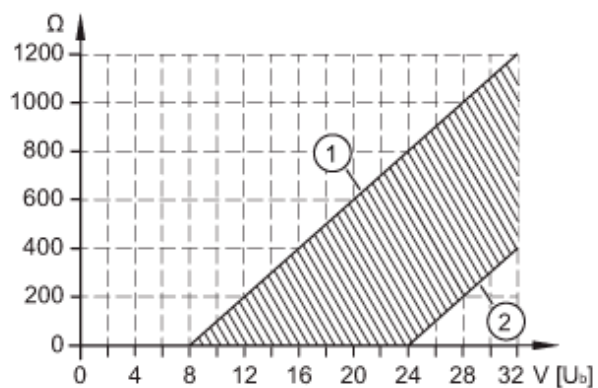


## Pressure transmitter

PT-010-SEG14-A-ZVG/VE

### Diagrams and graphs

Characteristic load curve current output



1: Max. load

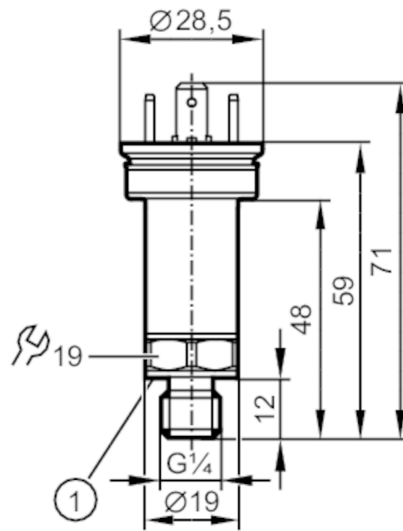
2: Min. load

# PT5012



## Pressure transmitter

PT-160-SEG14-A-ZVG/VE



1 sealing



### Product characteristics

|                              |   |              |            |
|------------------------------|---|--------------|------------|
| Number of inputs and outputs | Number of analog outputs: 1                                   |              |            |
| Measuring range              | 0...160 bar   | 0...2320 psi | 0...16 MPa |
| Process connection           | threaded connection G 1/4 external thread (DIN EN ISO 1179-2) |              |            |

### Application

|                         |  |           |         |
|-------------------------|--|-----------|---------|
| Measuring element       | metallic thin film cell                              |           |         |
| Application             | for mobile applications; for industrial applications |           |         |
| Media                   | liquids and gases                                    |           |         |
| Medium temperature [°C] | -40...125  |           |         |
| Min. burst pressure     | 1100 bar   | 15950 psi | 110 MPa |
| Pressure rating         | 400 bar  | 5800 psi  | 40 MPa  |
| Note on pressure rating | static   |           |         |
| Vacuum resistance       | -1000 mbar   | -0.1 MPa  |         |
| Type of pressure        | relative pressure                                    |           |         |

### Electrical data

|                                 |                 |  |  |
|---------------------------------|-----------------|--|--|
| Operating voltage [V]           | 8...36 DC       |  |  |
| Min. insulation resistance [MΩ] | 100; (500 V DC) |  |  |
| Protection class                | III             |  |  |
| Reverse polarity protection     | yes             |  |  |
| Power-on delay time [s]         | < 0.1           |  |  |

### Inputs / outputs

|                              |                             |  |  |
|------------------------------|-----------------------------|--|--|
| Number of inputs and outputs | Number of analog outputs: 1 |  |  |
|------------------------------|-----------------------------|--|--|

### Outputs

|                          |               |  |  |
|--------------------------|---------------|--|--|
| Total number of outputs  | 1             |  |  |
| Output signal            | analog signal |  |  |
| Number of analog outputs | 1             |  |  |

# PT5012



## Pressure transmitter

PT-160-SEG14-A-ZVG/VE

|                       |      |  |
|-----------------------|------|--|
| Analog current output | [mA] | 4...20   |
| Max. load             | [Ω]  | (U <sub>b</sub> - 8 V) / 21,5 mA ; @8V= 0 Ω ; @12V max. 200 Ω; @24V max. 750 Ω |
| Short-circuit proof   |      | yes  |
| Overload protection   |      | yes  |

### Measuring/setting range

|                 |             |              |            |
|-----------------|-------------|--------------|------------|
| Measuring range | 0...160 bar | 0...2320 psi | 0...16 MPa |
|-----------------|-------------|--------------|------------|

### Accuracy / deviations

|                                    |                        |   |
|------------------------------------|------------------------|---|
| Repeatability                      | [% of the span]        | < ± 0,05; (with temperature fluctuations < 10 K)  |
| Characteristics deviation          | [% of the span]        | < ± 0,5; (incl. drift when overtightened, zero point and span error, non-linearity, hysteresis) |
| Linearity deviation                | [% of the span]        | < ± 0,1 (BFSL) / < ± 0,2 (LS)   |
| Hysteresis deviation               | [% of the span]        | < ± 0,2   |
| Long-term stability                | [% of the span]        | < ± 0,1; (per 6 months)   |
| Temperature coefficient zero point | [% of the span / 10 K] | < ± 0,1 (0...80 °C); < ± 0,2 (-40...0 °C / 80...125 °C)   |
| Temperature coefficient span       | [% of the span / 10 K] | < ± 0,1 (0...80 °C); < ± 0,2 (-40...0 °C / 80...125 °C)   |

### Reaction times

|                                  |      |   |
|----------------------------------|------|---|
| Step response time analog output | [ms] | 2 |
|----------------------------------|------|---|

### Operating conditions

|                     |      |           |
|---------------------|------|-----------|
| Ambient temperature | [°C] | -40...100 |
| Storage temperature | [°C] | -40...100 |
| Protection          |      | IP 67     |

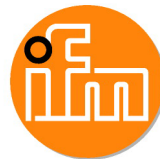
### Tests / approvals

|                              |   |  |
|------------------------------|---|--|
| EMC                          | Compliant with ECE R 10, rev. 5   | (E1 compliant)                         |
|                              | DIN EN ISO 13766-1 : 2018   | earth-moving and construction machines |
|                              | DIN EN ISO 14982 : 2009   | agricultural and forestry machines     |
|                              | ISO 11452-2   | 100 V/m                                |
|                              | ISO 7637-2 : 2011 pulse 1   | Test severity III. function state C    |
|                              | ISO 7637-2 : 2011 pulse 2b  | test severity IV. function state C     |
|                              | DIN EN 61326-1  |  |
| Shock resistance             | DIN EN 60068-2-27   | 500 g (1 ms)                           |
| Vibration resistance         | DIN EN 60068-2-6  | 20 g (10...2000 Hz)                    |
| MTTF                         | [years]   | 715                                    |
| UL approval                  | UL approval number  | J033                                   |
|                              | File number UL  | E174189                                |
| Pressure equipment directive | sound engineering practice; can be used for group 2 fluids; group 1 fluids on request |  |

### Mechanical data

|            |      |               |
|------------|------|---------------|
| Weight     | [g]  | 68            |
| Housing    |      | tubular       |
| Dimensions | [mm] | Ø 19 / L = 71 |

# PT5012



## Pressure transmitter

PT-160-SEG14-A-ZVG/VE

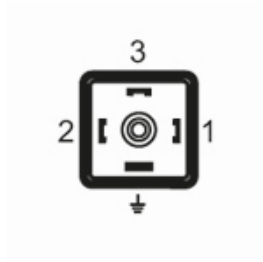
|                               |  |
|-------------------------------|--|
| Material                      | stainless steel (630/1.4542/17-4 PH); stainless steel (1.4404 / 316L); PPS                 |
| Materials (wetted parts)      | stainless steel (630/1.4542/17-4 PH); stainless steel (1.4305 / 303)                       |
| Min. pressure cycles          | 60 million; (at 1.2 times nominal pressure)  |
| Tightening torque [Nm]        | 25...35; (recommended tightening torque; Depends on lubrication, seal and pressure rating) |
| Process connection            | threaded connection G 1/4 external thread (DIN EN ISO 1179-2)                              |
| Process connection sealing    | FKM (DIN EN ISO 1179-2)  |
| Restrictor element integrated | yes  |

### Remarks

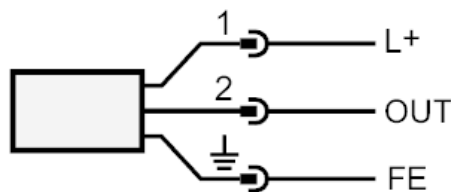
|               |   |
|---------------|---|
| Remarks       | BFSL = Best Fit Straight Line<br>LS = limit value setting |
| Pack quantity | 1 pcs.  |

### Electrical connection

Connector: 1 x valve plug type A DIN (EN175301-803-A)



### Connection



OUT            analog output  
FE            functional earth

# PT5012

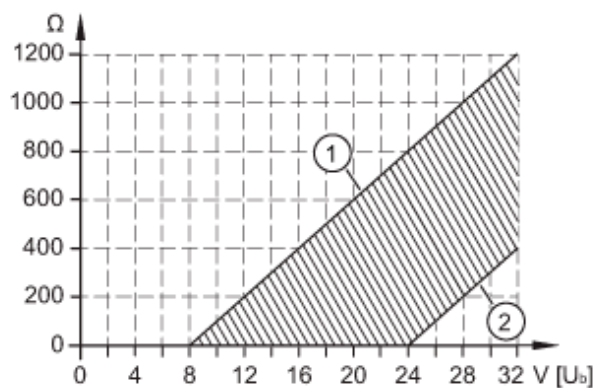


## Pressure transmitter

PT-160-SEG14-A-ZVG/VE

### Diagrams and graphs

Characteristic load curve current output



1: Max. load

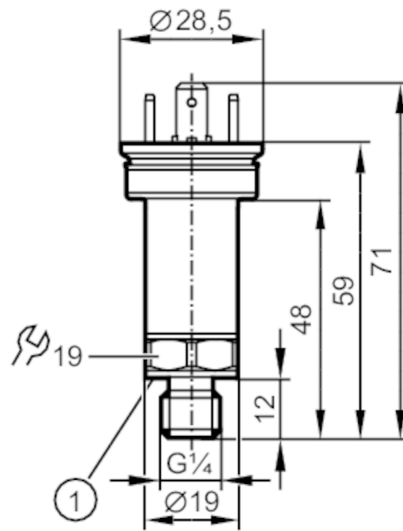
2: Min. load

# PT5014



## Pressure transmitter

PT-016-SEG14-A-ZVG/VE



1 sealing



### Product characteristics

|                              |   |             |             |
|------------------------------|---|-------------|-------------|
| Number of inputs and outputs | Number of analog outputs: 1                                   |             |             |
| Measuring range              | 0...16 bar  | 0...232 psi | 0...1.6 MPa |
| Process connection           | threaded connection G 1/4 external thread (DIN EN ISO 1179-2) |             |             |

### Application

|                         |  |          |        |
|-------------------------|--|----------|--------|
| Measuring element       | metallic thin film cell                              |          |        |
| Application             | for mobile applications; for industrial applications |          |        |
| Media                   | liquids and gases                                    |          |        |
| Medium temperature [°C] | -40...125  |          |        |
| Min. burst pressure     | 450 bar  | 6525 psi | 45 MPa |
| Pressure rating         | 40 bar   | 580 psi  | 4 MPa  |
| Note on pressure rating | static   |          |        |
| Vacuum resistance       | -1000 mbar   | -0.1 MPa |        |
| Type of pressure        | relative pressure                                    |          |        |

### Electrical data

|                                 |                 |  |  |
|---------------------------------|-----------------|--|--|
| Operating voltage [V]           | 8...36 DC       |  |  |
| Min. insulation resistance [MΩ] | 100; (500 V DC) |  |  |
| Protection class                | III             |  |  |
| Reverse polarity protection     | yes             |  |  |
| Power-on delay time [s]         | < 0.1           |  |  |

### Inputs / outputs

|                              |                             |  |  |
|------------------------------|-----------------------------|--|--|
| Number of inputs and outputs | Number of analog outputs: 1 |  |  |
|------------------------------|-----------------------------|--|--|

### Outputs

|                            |               |  |  |
|----------------------------|---------------|--|--|
| Output signal              | analog signal |  |  |
| Number of analog outputs   | 1             |  |  |
| Analog current output [mA] | 4...20        |  |  |

# PT5014



## Pressure transmitter

PT-016-SEG14-A-ZVG/VE

|                     |     |  |
|---------------------|-----|--|
| Max. load           | [Ω] | (U <sub>b</sub> - 8 V) / 21,5 mA ; @8V= 0 Ω ; @12V max. 200 Ω; @24V max. 750 Ω |
| Short-circuit proof |     | yes  |
| Overload protection |     | yes  |

### Measuring/setting range

|                 |            |             |             |
|-----------------|------------|-------------|-------------|
| Measuring range | 0...16 bar | 0...232 psi | 0...1.6 MPa |
|-----------------|------------|-------------|-------------|

### Accuracy / deviations

|                                    |                        |   |
|------------------------------------|------------------------|---|
| Repeatability                      | [% of the span]        | < ± 0,05; (with temperature fluctuations < 10 K)  |
| Characteristics deviation          | [% of the span]        | < ± 0,5; (incl. drift when overtightened, zero point and span error, non-linearity, hysteresis) |
| Linearity deviation                | [% of the span]        | < ± 0,1 (BFSL) / < ± 0,2 (LS)   |
| Hysteresis deviation               | [% of the span]        | < ± 0,2   |
| Long-term stability                | [% of the span]        | < ± 0,1; (per 6 months)   |
| Temperature coefficient zero point | [% of the span / 10 K] | < ± 0,1 (0...80 °C); < ± 0,2 (-40...0 °C / 80...125 °C)   |
| Temperature coefficient span       | [% of the span / 10 K] | < ± 0,1 (0...80 °C); < ± 0,2 (-40...0 °C / 80...125 °C)   |

### Reaction times

|                                  |      |   |
|----------------------------------|------|---|
| Step response time analog output | [ms] | 2 |
|----------------------------------|------|---|

### Operating conditions

|                     |      |           |
|---------------------|------|-----------|
| Ambient temperature | [°C] | -40...100 |
| Storage temperature | [°C] | -40...100 |
| Protection          |      | IP 67     |

### Tests / approvals

|                              |   |  |
|------------------------------|---|--|
| EMC                          | Compliant with ECE R 10, rev. 5   | (E1 compliant)                         |
|                              | DIN EN ISO 13766-1 : 2018   | earth-moving and construction machines |
|                              | DIN EN ISO 14982 : 2009   | agricultural and forestry machines     |
|                              | ISO 11452-2   | 100 V/m                                |
|                              | ISO 7637-2 : 2011 pulse 1   | Test severity III. function state C    |
|                              | ISO 7637-2 : 2011 pulse 2b  | test severity IV. function state C     |
|                              | DIN EN 61326-1  |  |
| Shock resistance             | DIN EN 60068-2-27   | 500 g (1 ms)                           |
| Vibration resistance         | DIN EN 60068-2-6  | 20 g (10...2000 Hz)                    |
| MTTF                         | [years]   | 715                                    |
| UL approval                  | UL approval number  | J078                                   |
|                              | File number UL  | E174189                                |
| Pressure equipment directive | sound engineering practice; can be used for group 2 fluids; group 1 fluids on request |  |

### Mechanical data

|            |      |  |
|------------|------|--|
| Weight     | [g]  | 67   |
| Housing    |      | tubular  |
| Dimensions | [mm] | Ø 19 / L = 71  |
| Material   |      | stainless steel (630/1.4542/17-4 PH); stainless steel (1.4404 / 316L); PPS |

# PT5014



## Pressure transmitter

PT-016-SEG14-A-ZVG/VE

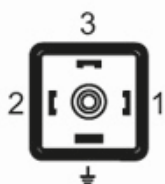
|                               |  |
|-------------------------------|--|
| Materials (wetted parts)      | stainless steel (630/1.4542/17-4 PH); stainless steel (1.4305 / 303)                       |
| Min. pressure cycles          | 60 million; (at 1.2 times nominal pressure)  |
| Tightening torque [Nm]        | 25...35; (recommended tightening torque; Depends on lubrication, seal and pressure rating) |
| Process connection            | threaded connection G 1/4 external thread (DIN EN ISO 1179-2)                              |
| Process connection sealing    | FKM (DIN EN ISO 1179-2)  |
| Restrictor element integrated | yes  |

### Remarks

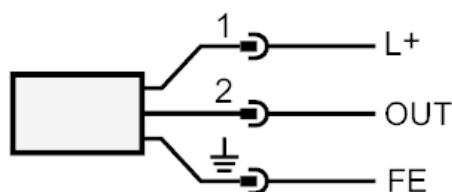
|               |   |
|---------------|---|
| Remarks       | BFSL = Best Fit Straight Line<br>LS = limit value setting |
| Pack quantity | 1 pcs.  |

### Electrical connection

Connector: 1 x valve plug type A DIN (EN175301-803-A)



### Connection



OUT            analog output  
FE             functional earth

# PT5014

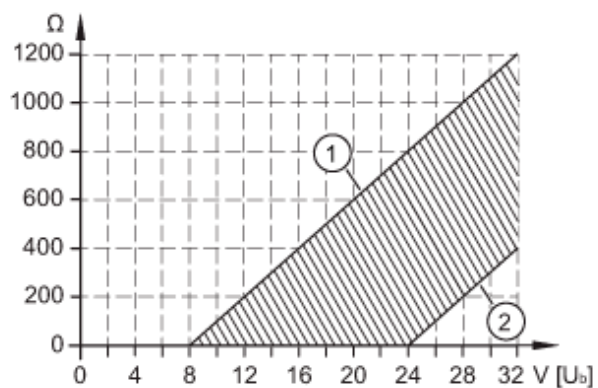


## Pressure transmitter

PT-016-SEG14-A-ZVG/VE

### Diagrams and graphs

Characteristic load curve current output



1: Max. load

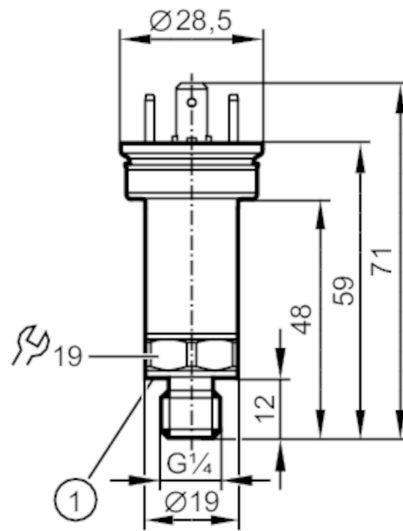
2: Min. load

# PT5015



## Pressure transmitter

PT-006-SEG14-A-ZVG/VE



1 sealing



### Product characteristics

|                              |   |            |             |             |
|------------------------------|---|------------|-------------|-------------|
| Number of inputs and outputs | Number of analog outputs: 1                                   |            |             |             |
| Measuring range              | 0...6 bar   | 0...87 psi | 0...600 kPa | 0...0.6 MPa |
| Process connection           | threaded connection G 1/4 external thread (DIN EN ISO 1179-2) |            |             |             |

### Application

|                         |  |          |         |
|-------------------------|--|----------|---------|
| Measuring element       | metallic thin film cell                              |          |         |
| Application             | for mobile applications; for industrial applications |          |         |
| Media                   | liquids and gases                                    |          |         |
| Medium temperature [°C] | -40...125  |          |         |
| Min. burst pressure     | 200 bar  | 2900 psi | 20 MPa  |
| Pressure rating         | 15 bar   | 215 psi  | 1.5 MPa |
| Note on pressure rating | static   |          |         |
| Vacuum resistance       | -1000 mbar   | -0.1 MPa |         |
| Type of pressure        | relative pressure                                    |          |         |

### Electrical data

|                                 |                 |  |  |
|---------------------------------|-----------------|--|--|
| Operating voltage [V]           | 8...36 DC       |  |  |
| Min. insulation resistance [MΩ] | 100; (500 V DC) |  |  |
| Protection class                | III             |  |  |
| Reverse polarity protection     | yes             |  |  |
| Power-on delay time [s]         | < 0.1           |  |  |

### Inputs / outputs

|                              |                             |
|------------------------------|-----------------------------|
| Number of inputs and outputs | Number of analog outputs: 1 |
|------------------------------|-----------------------------|

### Outputs

|                            |               |
|----------------------------|---------------|
| Output signal              | analog signal |
| Number of analog outputs   | 1             |
| Analog current output [mA] | 4...20        |

# PT5015



## Pressure transmitter

PT-006-SEG14-A-ZVG/VE

|                     |     |  |
|---------------------|-----|--|
| Max. load           | [Ω] | (U <sub>b</sub> - 8 V) / 21,5 mA ; @8V= 0 Ω ; @12V max. 200 Ω; @24V max. 750 Ω |
| Short-circuit proof |     | yes  |
| Overload protection |     | yes  |

### Measuring/setting range

|                 |           |            |             |             |
|-----------------|-----------|------------|-------------|-------------|
| Measuring range | 0...6 bar | 0...87 psi | 0...600 kPa | 0...0.6 MPa |
|-----------------|-----------|------------|-------------|-------------|

### Accuracy / deviations

|                                    |                        |   |
|------------------------------------|------------------------|---|
| Repeatability                      | [% of the span]        | < ± 0,05; (with temperature fluctuations < 10 K)  |
| Characteristics deviation          | [% of the span]        | < ± 0,5; (incl. drift when overtightened, zero point and span error, non-linearity, hysteresis) |
| Linearity deviation                | [% of the span]        | < ± 0,1 (BFSL) / < ± 0,2 (LS)   |
| Hysteresis deviation               | [% of the span]        | < ± 0,2   |
| Long-term stability                | [% of the span]        | < ± 0,1; (per 6 months)   |
| Temperature coefficient zero point | [% of the span / 10 K] | < ± 0,1 (0...80 °C); < ± 0,2 (-40...0 °C / 80...125 °C)   |
| Temperature coefficient span       | [% of the span / 10 K] | < ± 0,1 (0...80 °C); < ± 0,2 (-40...0 °C / 80...125 °C)   |

### Reaction times

|                                  |      |   |
|----------------------------------|------|---|
| Step response time analog output | [ms] | 2 |
|----------------------------------|------|---|

### Operating conditions

|                     |      |           |
|---------------------|------|-----------|
| Ambient temperature | [°C] | -40...100 |
| Storage temperature | [°C] | -40...100 |
| Protection          |      | IP 67     |

### Tests / approvals

|                              |   |  |
|------------------------------|---|--|
| EMC                          | Compliant with ECE R 10, rev. 5   | (E1 compliant)                         |
|                              | DIN EN ISO 13766-1 : 2018   | earth-moving and construction machines |
|                              | DIN EN ISO 14982 : 2009   | agricultural and forestry machines     |
|                              | ISO 11452-2   | 100 V/m                                |
|                              | ISO 7637-2 : 2011 pulse 1   | Test severity III. function state C    |
|                              | ISO 7637-2 : 2011 pulse 2b  | test severity IV. function state C     |
|                              | DIN EN 61326-1  |  |
| Shock resistance             | DIN EN 60068-2-27   | 500 g (1 ms)                           |
| Vibration resistance         | DIN EN 60068-2-6  | 20 g (10...2000 Hz)                    |
| MTTF                         | [years]   | 715                                    |
| UL approval                  | UL approval number  | J078                                   |
|                              | File number UL  | E174189                                |
| Pressure equipment directive | sound engineering practice; can be used for group 2 fluids; group 1 fluids on request |  |

### Mechanical data

|            |      |  |
|------------|------|--|
| Weight     | [g]  | 67   |
| Housing    |      | tubular  |
| Dimensions | [mm] | Ø 19 / L = 71  |
| Material   |      | stainless steel (630/1.4542/17-4 PH); stainless steel (1.4404 / 316L); PPS |

# PT5015



## Pressure transmitter

PT-006-SEG14-A-ZVG/VE

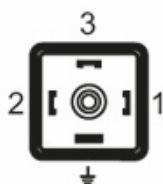
|                               |  |
|-------------------------------|--|
| Materials (wetted parts)      | stainless steel (630/1.4542/17-4 PH); stainless steel (1.4305 / 303)                       |
| Min. pressure cycles          | 60 million; (at 1.2 times nominal pressure)  |
| Tightening torque [Nm]        | 25...35; (recommended tightening torque; Depends on lubrication, seal and pressure rating) |
| Process connection            | threaded connection G 1/4 external thread (DIN EN ISO 1179-2)                              |
| Process connection sealing    | FKM (DIN EN ISO 1179-2)  |
| Restrictor element integrated | yes  |

### Remarks

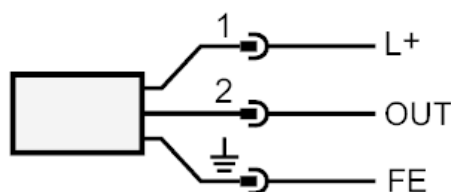
|               |   |
|---------------|---|
| Remarks       | BFSL = Best Fit Straight Line<br>LS = limit value setting |
| Pack quantity | 1 pcs.  |

### Electrical connection

Connector: 1 x valve plug type A DIN (EN175301-803-A)



### Connection



OUT            analog output  
FE             functional earth

# PT5015

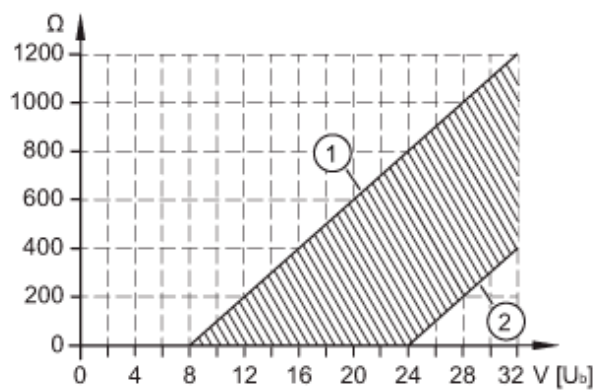


## Pressure transmitter

PT-006-SEG14-A-ZVG/VE

### Diagrams and graphs

Characteristic load curve current output



1: Max. load

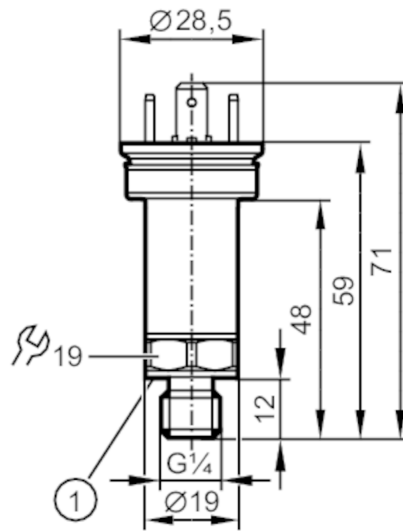
2: Min. load

# PT5023



## Pressure transmitter

PT-060-SEG14-A-ZVG/VE



1 sealing



### Product characteristics

|                              |   |             |           |
|------------------------------|---|-------------|-----------|
| Number of inputs and outputs | Number of analog outputs: 1                                   |             |           |
| Measuring range              | 0...60 bar  | 0...870 psi | 0...6 MPa |
| Process connection           | threaded connection G 1/4 external thread (DIN EN ISO 1179-2) |             |           |

### Application

|                         |  |           |        |
|-------------------------|--|-----------|--------|
| Measuring element       | metallic thin film cell                              |           |        |
| Application             | for mobile applications; for industrial applications |           |        |
| Media                   | liquids and gases                                    |           |        |
| Medium temperature [°C] | -40...125  |           |        |
| Min. burst pressure     | 900 bar  | 13050 psi | 90 MPa |
| Pressure rating         | 150 bar  | 2175 psi  | 15 MPa |
| Note on pressure rating | static   |           |        |
| Vacuum resistance       | -1000 mbar   | -0.1 MPa  |        |
| Type of pressure        | relative pressure                                    |           |        |

### Electrical data

|                                 |                 |  |  |
|---------------------------------|-----------------|--|--|
| Operating voltage [V]           | 8...36 DC       |  |  |
| Min. insulation resistance [MΩ] | 100; (500 V DC) |  |  |
| Protection class                | III             |  |  |
| Reverse polarity protection     | yes             |  |  |
| Power-on delay time [s]         | < 0.1           |  |  |

### Inputs / outputs

|                              |                             |  |  |
|------------------------------|-----------------------------|--|--|
| Number of inputs and outputs | Number of analog outputs: 1 |  |  |
|------------------------------|-----------------------------|--|--|

### Outputs

|                          |               |  |  |
|--------------------------|---------------|--|--|
| Total number of outputs  | 1             |  |  |
| Output signal            | analog signal |  |  |
| Number of analog outputs | 1             |  |  |

# PT5023



## Pressure transmitter

PT-060-SEG14-A-ZVG/VE

|                       |      |  |
|-----------------------|------|--|
| Analog current output | [mA] | 4...20   |
| Max. load             | [Ω]  | ( $U_b - 8\text{ V}$ ) / 21,5 mA ; @8V= 0 Ω ; @12V max. 200 Ω; @24V max. 750 Ω |
| Short-circuit proof   |      | yes  |
| Overload protection   |      | yes  |

### Measuring/setting range

|                 |            |             |           |
|-----------------|------------|-------------|-----------|
| Measuring range | 0...60 bar | 0...870 psi | 0...6 MPa |
|-----------------|------------|-------------|-----------|

### Accuracy / deviations

|                                    |                        |   |
|------------------------------------|------------------------|---|
| Repeatability                      | [% of the span]        | < ± 0,05; (with temperature fluctuations < 10 K)  |
| Characteristics deviation          | [% of the span]        | < ± 0,5; (incl. drift when overtightened, zero point and span error, non-linearity, hysteresis) |
| Linearity deviation                | [% of the span]        | < ± 0,1 (BFSL) / < ± 0,2 (LS)   |
| Hysteresis deviation               | [% of the span]        | < ± 0,2   |
| Long-term stability                | [% of the span]        | < ± 0,1; (per 6 months)   |
| Temperature coefficient zero point | [% of the span / 10 K] | < ± 0,1 (0...80 °C); < ± 0,2 (-40...0 °C / 80...125 °C)   |
| Temperature coefficient span       | [% of the span / 10 K] | < ± 0,1 (0...80 °C); < ± 0,2 (-40...0 °C / 80...125 °C)   |

### Reaction times

|                                  |      |   |
|----------------------------------|------|---|
| Step response time analog output | [ms] | 2 |
|----------------------------------|------|---|

### Operating conditions

|                     |      |           |
|---------------------|------|-----------|
| Ambient temperature | [°C] | -40...100 |
| Storage temperature | [°C] | -40...100 |
| Protection          |      | IP 67     |

### Tests / approvals

|                              |   |  |
|------------------------------|---|--|
| EMC                          | Compliant with ECE R 10, rev. 5   | (E1 compliant)                         |
|                              | DIN EN ISO 13766-1 : 2018   | earth-moving and construction machines |
|                              | DIN EN ISO 14982 : 2009   | agricultural and forestry machines     |
|                              | ISO 11452-2   | 100 V/m                                |
|                              | ISO 7637-2 : 2011 pulse 1   | Test severity III. function state C    |
|                              | ISO 7637-2 : 2011 pulse 2b  | test severity IV. function state C     |
|                              | DIN EN 61326-1  |  |
| Shock resistance             | DIN EN 60068-2-27   | 500 g (1 ms)                           |
| Vibration resistance         | DIN EN 60068-2-6  | 20 g (10...2000 Hz)                    |
| MTTF                         | [years]   | 715                                    |
| UL approval                  | UL approval number  | J032                                   |
|                              | File number UL  | E174189                                |
| Pressure equipment directive | sound engineering practice; can be used for group 2 fluids; group 1 fluids on request |  |

### Mechanical data

|            |      |               |
|------------|------|---------------|
| Weight     | [g]  | 67            |
| Housing    |      | tubular       |
| Dimensions | [mm] | Ø 19 / L = 71 |

# PT5023



## Pressure transmitter

PT-060-SEG14-A-ZVG/VE

|                               |  |
|-------------------------------|--|
| Material                      | stainless steel (630/1.4542/17-4 PH); stainless steel (1.4404 / 316L); PPS                 |
| Materials (wetted parts)      | stainless steel (630/1.4542/17-4 PH); stainless steel (1.4305 / 303)                       |
| Min. pressure cycles          | 60 million; (at 1.2 times nominal pressure)  |
| Tightening torque [Nm]        | 25...35; (recommended tightening torque; Depends on lubrication, seal and pressure rating) |
| Process connection            | threaded connection G 1/4 external thread (DIN EN ISO 1179-2)                              |
| Process connection sealing    | FKM (DIN EN ISO 1179-2)  |
| Restrictor element integrated | yes  |

### Remarks

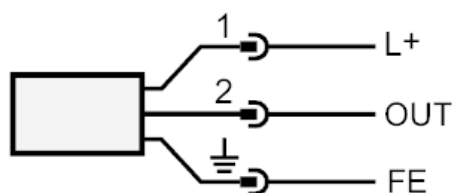
|               |   |
|---------------|---|
| Remarks       | BFSL = Best Fit Straight Line<br>LS = limit value setting |
| Pack quantity | 1 pcs.  |

### Electrical connection

Connector: 1 x valve plug type A DIN (EN175301-803-A)



### Connection



OUT analog output  
FE functional earth

# PT5023

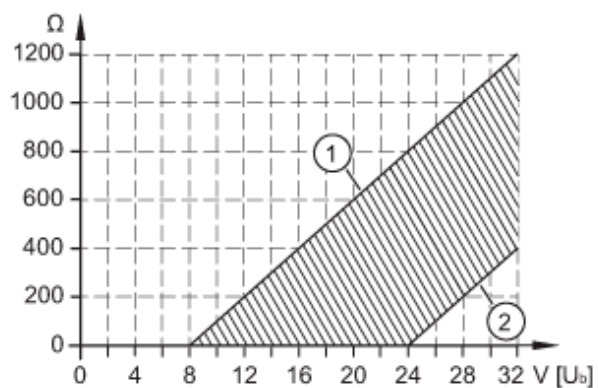


## Pressure transmitter

PT-060-SEG14-A-ZVG/VE

### Diagrams and graphs

Characteristic load curve current output



1: Max. load

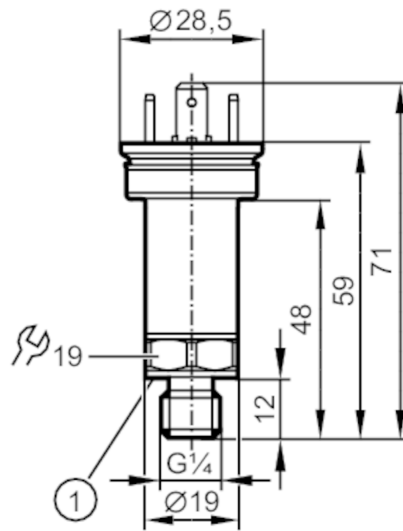
2: Min. load

# PT5043



## Pressure transmitter

PT-040-SEG14-A-ZVG/VE



1 sealing



### Product characteristics

|                              |   |             |           |
|------------------------------|---|-------------|-----------|
| Number of inputs and outputs | Number of analog outputs: 1                                   |             |           |
| Measuring range              | 0...40 bar  | 0...580 psi | 0...4 MPa |
| Process connection           | threaded connection G 1/4 external thread (DIN EN ISO 1179-2) |             |           |

### Application

|                         |  |           |        |
|-------------------------|--|-----------|--------|
| Measuring element       | metallic thin film cell                              |           |        |
| Application             | for mobile applications; for industrial applications |           |        |
| Media                   | liquids and gases                                    |           |        |
| Medium temperature [°C] | -40...125  |           |        |
| Min. burst pressure     | 800 bar  | 11600 psi | 80 MPa |
| Pressure rating         | 100 bar  | 1450 psi  | 10 MPa |
| Note on pressure rating | static   |           |        |
| Vacuum resistance       | -1000 mbar   | -0.1 MPa  |        |
| Type of pressure        | relative pressure                                    |           |        |

### Electrical data

|                                 |                 |  |  |
|---------------------------------|-----------------|--|--|
| Operating voltage [V]           | 8...36 DC       |  |  |
| Min. insulation resistance [MΩ] | 100; (500 V DC) |  |  |
| Protection class                | III             |  |  |
| Reverse polarity protection     | yes             |  |  |
| Power-on delay time [s]         | < 0.1           |  |  |

### Inputs / outputs

|                              |                             |  |  |
|------------------------------|-----------------------------|--|--|
| Number of inputs and outputs | Number of analog outputs: 1 |  |  |
|------------------------------|-----------------------------|--|--|

### Outputs

|                          |               |  |  |
|--------------------------|---------------|--|--|
| Total number of outputs  | 1             |  |  |
| Output signal            | analog signal |  |  |
| Number of analog outputs | 1             |  |  |

# PT5043



## Pressure transmitter

PT-040-SEG14-A-ZVG/VE

|                       |      |  |
|-----------------------|------|--|
| Analog current output | [mA] | 4...20   |
| Max. load             | [Ω]  | (U <sub>b</sub> - 8 V) / 21,5 mA ; @8V= 0 Ω ; @12V max. 200 Ω; @24V max. 750 Ω |
| Short-circuit proof   |      | yes  |
| Overload protection   |      | yes  |

### Measuring/setting range

|                 |            |             |           |
|-----------------|------------|-------------|-----------|
| Measuring range | 0...40 bar | 0...580 psi | 0...4 MPa |
|-----------------|------------|-------------|-----------|

### Accuracy / deviations

|                                    |                        |   |
|------------------------------------|------------------------|---|
| Repeatability                      | [% of the span]        | < ± 0,05; (with temperature fluctuations < 10 K)  |
| Characteristics deviation          | [% of the span]        | < ± 0,5; (incl. drift when overtightened, zero point and span error, non-linearity, hysteresis) |
| Linearity deviation                | [% of the span]        | < ± 0,1 (BFSL) / < ± 0,2 (LS)   |
| Hysteresis deviation               | [% of the span]        | < ± 0,2   |
| Long-term stability                | [% of the span]        | < ± 0,1; (per 6 months)   |
| Temperature coefficient zero point | [% of the span / 10 K] | < ± 0,1 (0...80 °C); < ± 0,2 (-40...0 °C / 80...125 °C)   |
| Temperature coefficient span       | [% of the span / 10 K] | < ± 0,1 (0...80 °C); < ± 0,2 (-40...0 °C / 80...125 °C)   |

### Reaction times

|                                  |      |   |
|----------------------------------|------|---|
| Step response time analog output | [ms] | 2 |
|----------------------------------|------|---|

### Operating conditions

|                     |      |           |
|---------------------|------|-----------|
| Ambient temperature | [°C] | -40...100 |
| Storage temperature | [°C] | -40...100 |
| Protection          |      | IP 67     |

### Tests / approvals

|                              |   |  |
|------------------------------|---|--|
| EMC                          | Compliant with ECE R 10, rev. 5   | (E1 compliant)                         |
|                              | DIN EN ISO 13766-1 : 2018   | earth-moving and construction machines |
|                              | DIN EN ISO 14982 : 2009   | agricultural and forestry machines     |
|                              | ISO 11452-2   | 100 V/m                                |
|                              | ISO 7637-2 : 2011 pulse 1   | Test severity III. function state C    |
|                              | ISO 7637-2 : 2011 pulse 2b  | test severity IV. function state C     |
|                              | DIN EN 61326-1  |  |
| Shock resistance             | DIN EN 60068-2-27   | 500 g (1 ms)                           |
| Vibration resistance         | DIN EN 60068-2-6  | 20 g (10...2000 Hz)                    |
| MTTF                         | [years]   | 715                                    |
| UL approval                  | UL approval number  | J032                                   |
|                              | File number UL  | E174189                                |
| Pressure equipment directive | sound engineering practice; can be used for group 2 fluids; group 1 fluids on request |  |

### Mechanical data

|            |      |               |
|------------|------|---------------|
| Weight     | [g]  | 67            |
| Housing    |      | tubular       |
| Dimensions | [mm] | Ø 19 / L = 71 |

# PT5043



## Pressure transmitter

PT-040-SEG14-A-ZVG/VE

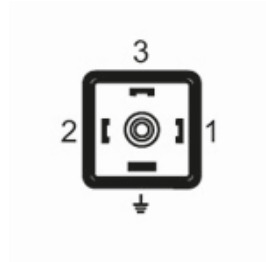
|                               |  |
|-------------------------------|--|
| Material                      | stainless steel (630/1.4542/17-4 PH); stainless steel (1.4404 / 316L); PPS                 |
| Materials (wetted parts)      | stainless steel (630/1.4542/17-4 PH); stainless steel (1.4305 / 303)                       |
| Min. pressure cycles          | 60 million; (at 1.2 times nominal pressure)  |
| Tightening torque [Nm]        | 25...35; (recommended tightening torque; Depends on lubrication, seal and pressure rating) |
| Process connection            | threaded connection G 1/4 external thread (DIN EN ISO 1179-2)                              |
| Process connection sealing    | FKM (DIN EN ISO 1179-2)  |
| Restrictor element integrated | yes  |

### Remarks

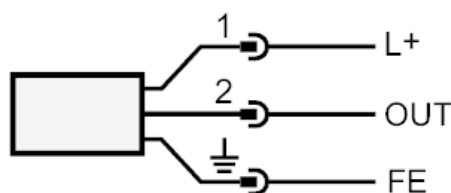
|               |   |
|---------------|---|
| Remarks       | BFSL = Best Fit Straight Line<br>LS = limit value setting |
| Pack quantity | 1 pcs.  |

### Electrical connection

Connector: 1 x valve plug type A DIN (EN175301-803-A)



### Connection



OUT analog output  
FE functional earth

# PT5043

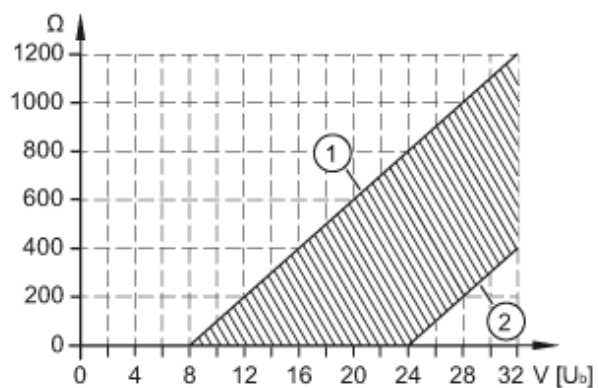


## Pressure transmitter

PT-040-SEG14-A-ZVG/VE

### Diagrams and graphs

Characteristic load curve current output



1: Max. load

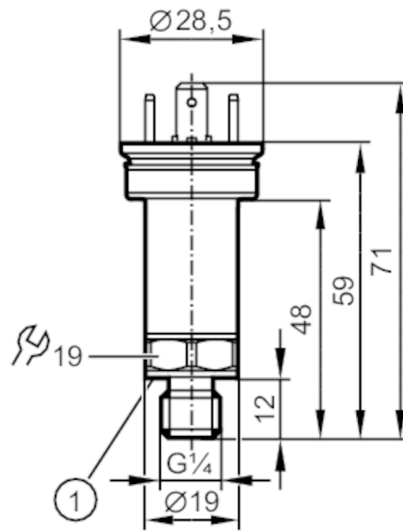
2: Min. load

# PT5060



## Pressure transmitter

PT-600-SEG14-A-ZVG/VE



1 sealing



### Product characteristics

|                              |   |              |            |
|------------------------------|---|--------------|------------|
| Number of inputs and outputs | Number of analog outputs: 1                                   |              |            |
| Measuring range              | 0...600 bar   | 0...8700 psi | 0...60 MPa |
| Process connection           | threaded connection G 1/4 external thread (DIN EN ISO 1179-2) |              |            |

### Application

|                         |  |           |         |
|-------------------------|--|-----------|---------|
| Measuring element       | metallic thin film cell                              |           |         |
| Application             | for mobile applications; for industrial applications |           |         |
| Media                   | liquids and gases                                    |           |         |
| Medium temperature [°C] | -40...125  |           |         |
| Min. burst pressure     | 2500 bar   | 36255 psi | 250 MPa |
| Pressure rating         | 1500 bar   | 21755 psi | 150 MPa |
| Note on pressure rating | static   |           |         |
| Vacuum resistance       | -1000 mbar   | -0.1 MPa  |         |
| Type of pressure        | relative pressure                                    |           |         |

### Electrical data

|                                 |                 |  |  |
|---------------------------------|-----------------|--|--|
| Operating voltage [V]           | 8...36 DC       |  |  |
| Min. insulation resistance [MΩ] | 100; (500 V DC) |  |  |
| Protection class                | III             |  |  |
| Reverse polarity protection     | yes             |  |  |
| Power-on delay time [s]         | < 0.1           |  |  |

### Inputs / outputs

|                              |                             |  |  |
|------------------------------|-----------------------------|--|--|
| Number of inputs and outputs | Number of analog outputs: 1 |  |  |
|------------------------------|-----------------------------|--|--|

### Outputs

|                          |               |  |  |
|--------------------------|---------------|--|--|
| Total number of outputs  | 1             |  |  |
| Output signal            | analog signal |  |  |
| Number of analog outputs | 1             |  |  |

# PT5060



## Pressure transmitter

PT-600-SEG14-A-ZVG/VE

|                       |      |  |
|-----------------------|------|--|
| Analog current output | [mA] | 4...20   |
| Max. load             | [Ω]  | ( $U_b - 8\text{ V}$ ) / 21,5 mA ; @8V= 0 Ω ; @12V max. 200 Ω; @24V max. 750 Ω |
| Short-circuit proof   |      | yes  |
| Overload protection   |      | yes  |

### Measuring/setting range

|                 |             |              |            |
|-----------------|-------------|--------------|------------|
| Measuring range | 0...600 bar | 0...8700 psi | 0...60 MPa |
|-----------------|-------------|--------------|------------|

### Accuracy / deviations

|                                    |                        |   |
|------------------------------------|------------------------|---|
| Repeatability                      | [% of the span]        | < ± 0,05; (with temperature fluctuations < 10 K)  |
| Characteristics deviation          | [% of the span]        | < ± 0,5; (incl. drift when overtightened, zero point and span error, non-linearity, hysteresis) |
| Linearity deviation                | [% of the span]        | < ± 0,1 (BFSL) / < ± 0,2 (LS)   |
| Hysteresis deviation               | [% of the span]        | < ± 0,2   |
| Long-term stability                | [% of the span]        | < ± 0,1; (per 6 months)   |
| Temperature coefficient zero point | [% of the span / 10 K] | < ± 0,1 (0...80 °C); < ± 0,2 (-40...0 °C / 80...125 °C)   |
| Temperature coefficient span       | [% of the span / 10 K] | < ± 0,1 (0...80 °C); < ± 0,2 (-40...0 °C / 80...125 °C)   |

### Reaction times

|                                  |      |   |
|----------------------------------|------|---|
| Step response time analog output | [ms] | 2 |
|----------------------------------|------|---|

### Operating conditions

|                     |      |           |
|---------------------|------|-----------|
| Ambient temperature | [°C] | -40...100 |
| Storage temperature | [°C] | -40...100 |
| Protection          |      | IP 67     |

### Tests / approvals

|                              |  |  |
|------------------------------|--|--|
| EMC                          | Compliant with ECE R 10, rev. 5                                    | (E1 compliant)                         |
|                              | DIN EN ISO 13766-1 : 2018  | earth-moving and construction machines |
|                              | DIN EN ISO 14982 : 2009  | agricultural and forestry machines     |
|                              | ISO 11452-2  | 100 V/m                                |
|                              | ISO 7637-2 : 2011 pulse 1  | Test severity III. function state C    |
|                              | ISO 7637-2 : 2011 pulse 2b   | test severity IV. function state C     |
|                              | DIN EN 61326-1   |  |
| Shock resistance             | DIN EN 60068-2-27  | 500 g (1 ms)                           |
| Vibration resistance         | DIN EN 60068-2-6   | 20 g (10...2000 Hz)                    |
| MTTF                         | [years]  | 715                                    |
| UL approval                  | UL approval number   | J044                                   |
|                              | File number UL   | E174189                                |
| Pressure equipment directive | Modul A; can be used for group 2 fluids; group 1 fluids on request |  |

### Mechanical data

|            |      |               |
|------------|------|---------------|
| Weight     | [g]  | 68            |
| Housing    |      | tubular       |
| Dimensions | [mm] | Ø 19 / L = 71 |

# PT5060



## Pressure transmitter

PT-600-SEG14-A-ZVG/VE

|                               |  |
|-------------------------------|--|
| Material                      | stainless steel (630/1.4542/17-4 PH); stainless steel (1.4404 / 316L); PPS                 |
| Materials (wetted parts)      | stainless steel (630/1.4542/17-4 PH); stainless steel (1.4305 / 303)                       |
| Min. pressure cycles          | 60 million; (at 1.2 times nominal pressure)  |
| Tightening torque [Nm]        | 30...50; (recommended tightening torque; Depends on lubrication, seal and pressure rating) |
| Process connection            | threaded connection G 1/4 external thread (DIN EN ISO 1179-2)                              |
| Process connection sealing    | FKM (DIN EN ISO 1179-2)  |
| Restrictor element integrated | yes  |

### Remarks

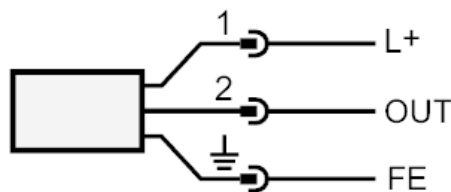
|               |   |
|---------------|---|
| Remarks       | BFSL = Best Fit Straight Line<br>LS = limit value setting |
| Pack quantity | 1 pcs.  |

### Electrical connection

Connector: 1 x valve plug type A DIN (EN175301-803-A)



### Connection



OUT analog output  
FE functional earth

# PT5060

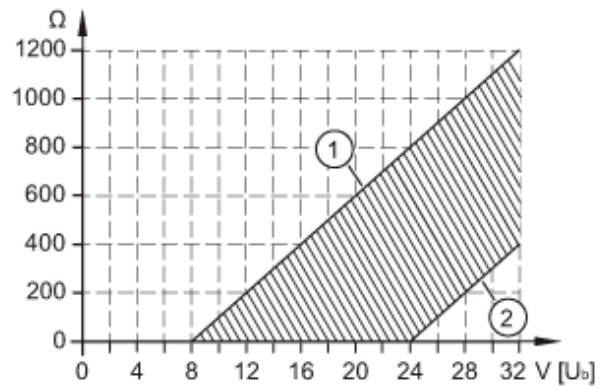


## Pressure transmitter

PT-600-SEG14-A-ZVG/VE

### Diagrams and graphs

Characteristic load curve current output



1: Max. load

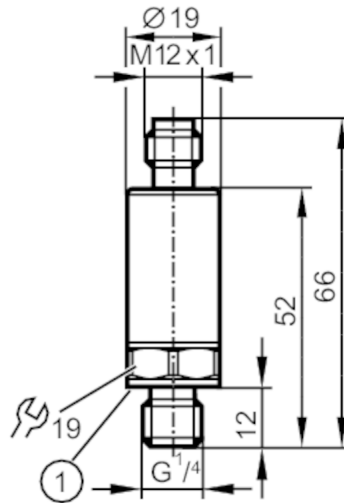
2: Min. load

# PT5300



## Pressure transmitter

PT-400-SEG14-A-ZVG/US/ IW



1 sealing



### Product characteristics

|                              |   |              |            |
|------------------------------|---|--------------|------------|
| Number of inputs and outputs | Number of analog outputs: 1                                   |              |            |
| Measuring range              | 0...400 bar   | 0...5800 psi | 0...40 MPa |
| Process connection           | threaded connection G 1/4 external thread (DIN EN ISO 1179-2) |              |            |

### Application

|                         |                             |           |         |
|-------------------------|-----------------------------|-----------|---------|
| Application             | for industrial applications |           |         |
| Media                   | liquids and gases           |           |         |
| Medium temperature [°C] | -40...90                    |           |         |
| Min. burst pressure     | 1700 bar                    | 24655 psi | 170 MPa |
| Pressure rating         | 1000 bar                    | 14500 psi | 100 MPa |
| Note on pressure rating | static                      |           |         |
| Vacuum resistance       | -1000 mbar                  | -0.1 MPa  |         |
| Type of pressure        | relative pressure           |           |         |

### Electrical data

|                                 |                 |  |  |
|---------------------------------|-----------------|--|--|
| Operating voltage [V]           | 8.5...36 DC     |  |  |
| Min. insulation resistance [MΩ] | 100; (500 V DC) |  |  |
| Protection class                | III             |  |  |
| Reverse polarity protection     | yes             |  |  |
| Power-on delay time [s]         | < 0.1           |  |  |

### Inputs / outputs

|                              |                             |  |  |
|------------------------------|-----------------------------|--|--|
| Number of inputs and outputs | Number of analog outputs: 1 |  |  |
|------------------------------|-----------------------------|--|--|

### Outputs

|                            |  |  |  |
|----------------------------|--|--|--|
| Total number of outputs    | 1  |  |  |
| Output signal              | analog signal  |  |  |
| Number of analog outputs   | 1  |  |  |
| Analog current output [mA] | 4...20   |  |  |
| Max. load [Ω]              | (U <sub>b</sub> – 8,5 V) / 21,5 mA; @8,5V= 0 Ω; @12V max. 160 Ω; @24V max. 720 Ω |  |  |
| Short-circuit proof        | yes  |  |  |

# PT5300



## Pressure transmitter

PT-400-SEG14-A-ZVG/US/ IW

|                     |     |
|---------------------|-----|
| Overload protection | yes |
|---------------------|-----|

### Measuring/setting range

|                 |             |              |            |
|-----------------|-------------|--------------|------------|
| Measuring range | 0...400 bar | 0...5800 psi | 0...40 MPa |
|-----------------|-------------|--------------|------------|

### Accuracy / deviations

|  |   |
|--|---|
| Repeatability [% of the span]                                      | < ± 0,05; (with temperature fluctuations < 10 K)  |
| Characteristics deviation [% of the span]                          | < ± 0,5; (incl. drift when overtightened, zero point and span error, non-linearity, hysteresis) |
| Linearity deviation [% of the span]                                | < ± 0,1 (BFSL) / < ± 0,2 (LS)   |
| Hysteresis deviation [% of the span]                               | < ± 0,2   |
| Long-term stability [% of the span]                                | < ± 0,1; (per 6 months)   |
| Temperature coefficient zero point and span [% of the span / 10 K] | < 0,1 (-25...90 °C) / < 0,2 (-40...-25 °C)  |

### Reaction times

|                                       |   |
|---------------------------------------|---|
| Step response time analog output [ms] | 1 |
|---------------------------------------|---|

### Operating conditions

|                          |               |
|--------------------------|---------------|
| Ambient temperature [°C] | -40...90      |
| Storage temperature [°C] | -40...100     |
| Protection               | IP 67; IP 69K |

### Tests / approvals

|                              |   |                     |
|------------------------------|---|---------------------|
| EMC                          | DIN EN 61000-6-2  |                     |
|                              | DIN EN 61000-6-3  |                     |
| Shock resistance             | DIN EN 60068-2-27   | 50 g (11 ms)        |
| Vibration resistance         | DIN EN 60068-2-6  | 20 g (10...2000 Hz) |
| MTTF [years]                 |   | 787                 |
| UL approval                  | UL approval number  | J028                |
| Pressure equipment directive | sound engineering practice; can be used for group 2 fluids; group 1 fluids on request |                     |

### Mechanical data

|                               |  |
|-------------------------------|--|
| Weight [g]                    | 60   |
| Housing                       | tubular  |
| Dimensions [mm]               | ∅ 19 / L = 66  |
| Material                      | stainless steel (630/1.4542/17-4 PH); stainless steel (1.4404 / 316L); PEI                 |
| Materials (wetted parts)      | stainless steel (630/1.4542/17-4 PH)   |
| Min. pressure cycles          | 60 million; (at 1.2 times nominal pressure)  |
| Tightening torque [Nm]        | 25...35; (recommended tightening torque; Depends on lubrication, seal and pressure rating) |
| Process connection            | threaded connection G 1/4 external thread (DIN EN ISO 1179-2)                              |
| Process connection sealing    | FKM (DIN EN ISO 1179-2)  |
| Restrictor element integrated | no (can be retrofitted)  |

# PT5300



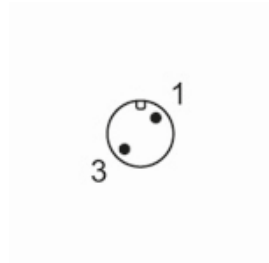
## Pressure transmitter

PT-400-SEG14-A-ZVG/US/ IW

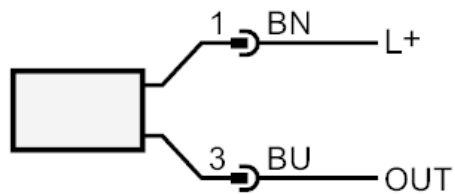
| Remarks       |   |
|---------------|---|
| Remarks       | BFSL = Best Fit Straight Line<br>LS = limit value setting |
| Pack quantity | 1 pcs.  |

## Electrical connection

Connector: 1 x M12; coding: A



## Connection

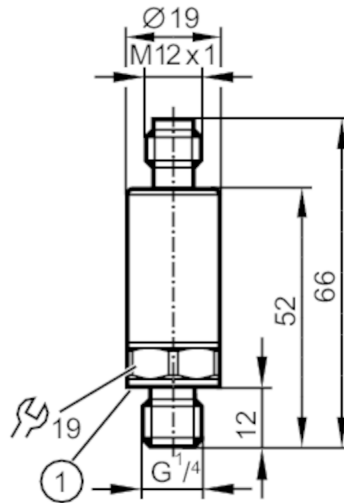


# PT5301



## Pressure transmitter

PT-250-SEG14-A-ZVG/US/ IW



1 sealing



### Product characteristics

|                              |   |              |            |
|------------------------------|---|--------------|------------|
| Number of inputs and outputs | Number of analog outputs: 1                                   |              |            |
| Measuring range              | 0...250 bar   | 0...3625 psi | 0...25 MPa |
| Process connection           | threaded connection G 1/4 external thread (DIN EN ISO 1179-2) |              |            |

### Application

|                         |                             |           |          |
|-------------------------|-----------------------------|-----------|----------|
| Application             | for industrial applications |           |          |
| Media                   | liquids and gases           |           |          |
| Medium temperature [°C] | -40...90                    |           |          |
| Min. burst pressure     | 1200 bar                    | 17400 psi | 120 MPa  |
| Pressure rating         | 625 bar                     | 9060 psi  | 62.5 MPa |
| Note on pressure rating | static                      |           |          |
| Vacuum resistance       | -1000 mbar                  | -0.1 MPa  |          |
| Type of pressure        | relative pressure           |           |          |

### Electrical data

|                                 |                 |  |  |
|---------------------------------|-----------------|--|--|
| Operating voltage [V]           | 8.5...36 DC     |  |  |
| Min. insulation resistance [MΩ] | 100; (500 V DC) |  |  |
| Protection class                | III             |  |  |
| Reverse polarity protection     | yes             |  |  |
| Power-on delay time [s]         | < 0.1           |  |  |

### Inputs / outputs

|                              |                             |  |  |
|------------------------------|-----------------------------|--|--|
| Number of inputs and outputs | Number of analog outputs: 1 |  |  |
|------------------------------|-----------------------------|--|--|

### Outputs

|                            |  |  |  |
|----------------------------|--|--|--|
| Total number of outputs    | 1  |  |  |
| Output signal              | analog signal  |  |  |
| Number of analog outputs   | 1  |  |  |
| Analog current output [mA] | 4...20   |  |  |
| Max. load [Ω]              | (U <sub>b</sub> – 8,5 V) / 21,5 mA; @8,5V= 0 Ω; @12V max. 160 Ω; @24V max. 720 Ω |  |  |
| Short-circuit proof        | yes  |  |  |

# PT5301



## Pressure transmitter

PT-250-SEG14-A-ZVG/US/ IW

|                     |     |
|---------------------|-----|
| Overload protection | yes |
|---------------------|-----|

### Measuring/setting range

|                 |             |              |            |
|-----------------|-------------|--------------|------------|
| Measuring range | 0...250 bar | 0...3625 psi | 0...25 MPa |
|-----------------|-------------|--------------|------------|

### Accuracy / deviations

|  |   |
|--|---|
| Repeatability [% of the span]                                      | < ± 0,05; (with temperature fluctuations < 10 K)  |
| Characteristics deviation [% of the span]                          | < ± 0,5; (incl. drift when overtightened, zero point and span error, non-linearity, hysteresis) |
| Linearity deviation [% of the span]                                | < ± 0,1 (BFSL) / < ± 0,2 (LS)   |
| Hysteresis deviation [% of the span]                               | < ± 0,2   |
| Long-term stability [% of the span]                                | < ± 0,1; (per 6 months)   |
| Temperature coefficient zero point and span [% of the span / 10 K] | < 0,1 (-25...90 °C) / < 0,2 (-40...-25 °C)  |

### Reaction times

|                                       |   |
|---------------------------------------|---|
| Step response time analog output [ms] | 1 |
|---------------------------------------|---|

### Operating conditions

|                          |               |
|--------------------------|---------------|
| Ambient temperature [°C] | -40...90      |
| Storage temperature [°C] | -40...100     |
| Protection               | IP 67; IP 69K |

### Tests / approvals

|                              |   |                     |
|------------------------------|---|---------------------|
| EMC                          | DIN EN 61000-6-2  |                     |
|                              | DIN EN 61000-6-3  |                     |
| Shock resistance             | DIN EN 60068-2-27   | 50 g (11 ms)        |
| Vibration resistance         | DIN EN 60068-2-6  | 20 g (10...2000 Hz) |
| MTTF [years]                 |   | 787                 |
| UL approval                  | UL approval number  | J028                |
| Pressure equipment directive | sound engineering practice; can be used for group 2 fluids; group 1 fluids on request |                     |

### Mechanical data

|                               |  |
|-------------------------------|--|
| Weight [g]                    | 60.5   |
| Housing                       | tubular  |
| Dimensions [mm]               | Ø 19 / L = 66  |
| Material                      | stainless steel (630/1.4542/17-4 PH); stainless steel (1.4404 / 316L); PEI                 |
| Materials (wetted parts)      | stainless steel (630/1.4542/17-4 PH)   |
| Min. pressure cycles          | 60 million; (at 1.2 times nominal pressure)  |
| Tightening torque [Nm]        | 25...35; (recommended tightening torque; Depends on lubrication, seal and pressure rating) |
| Process connection            | threaded connection G 1/4 external thread (DIN EN ISO 1179-2)                              |
| Process connection sealing    | FKM (DIN EN ISO 1179-2)  |
| Restrictor element integrated | no (can be retrofitted)  |

# PT5301



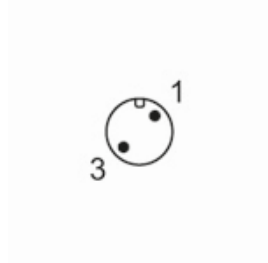
## Pressure transmitter

PT-250-SEG14-A-ZVG/US/ IW

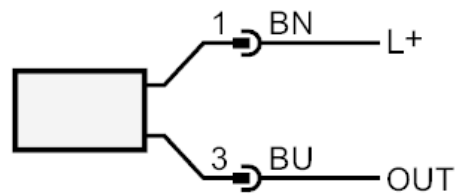
| Remarks       |   |
|---------------|---|
| Remarks       | BFSL = Best Fit Straight Line<br>LS = limit value setting |
| Pack quantity | 1 pcs.  |

### Electrical connection

Connector: 1 x M12; coding: A



### Connection



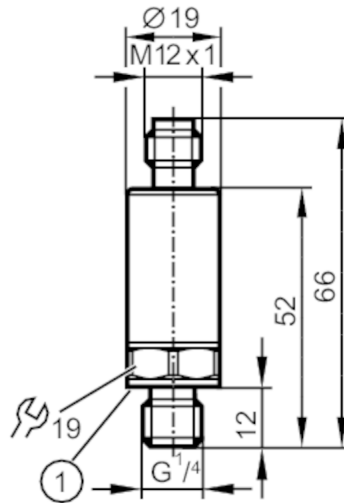
OUT            analog output  
                 Colors to DIN EN 60947-5-2  
                 Core colors :  
BN =            brown  
BU =            blue

# PT5302



## Pressure transmitter

PT-100-SEG14-A-ZVG/US/ IW



1 sealing



### Product characteristics

|                              |   |              |            |
|------------------------------|---|--------------|------------|
| Number of inputs and outputs | Number of analog outputs: 1                                   |              |            |
| Measuring range              | 0...100 bar   | 0...1450 psi | 0...10 MPa |
| Process connection           | threaded connection G 1/4 external thread (DIN EN ISO 1179-2) |              |            |

### Application

|                         |                             |           |         |
|-------------------------|-----------------------------|-----------|---------|
| Application             | for industrial applications |           |         |
| Media                   | liquids and gases           |           |         |
| Medium temperature [°C] | -40...90                    |           |         |
| Min. burst pressure     | 1000 bar                    | 14500 psi | 100 MPa |
| Pressure rating         | 250 bar                     | 3625 psi  | 25 MPa  |
| Note on pressure rating | static                      |           |         |
| Vacuum resistance       | -1000 mbar                  | -0.1 MPa  |         |
| Type of pressure        | relative pressure           |           |         |

### Electrical data

|                                 |                 |  |  |
|---------------------------------|-----------------|--|--|
| Operating voltage [V]           | 8.5...36 DC     |  |  |
| Min. insulation resistance [MΩ] | 100; (500 V DC) |  |  |
| Protection class                | III             |  |  |
| Reverse polarity protection     | yes             |  |  |
| Power-on delay time [s]         | < 0.1           |  |  |

### Inputs / outputs

|                              |                             |  |  |
|------------------------------|-----------------------------|--|--|
| Number of inputs and outputs | Number of analog outputs: 1 |  |  |
|------------------------------|-----------------------------|--|--|

### Outputs

|                            |  |  |  |
|----------------------------|--|--|--|
| Total number of outputs    | 1  |  |  |
| Output signal              | analog signal  |  |  |
| Number of analog outputs   | 1  |  |  |
| Analog current output [mA] | 4...20   |  |  |
| Max. load [Ω]              | (U <sub>b</sub> – 8,5 V) / 21,5 mA; @8,5V= 0 Ω; @12V max. 160 Ω; @24V max. 720 Ω |  |  |
| Short-circuit proof        | yes  |  |  |

# PT5302



## Pressure transmitter

PT-100-SEG14-A-ZVG/US/ IW

|                     |     |
|---------------------|-----|
| Overload protection | yes |
|---------------------|-----|

### Measuring/setting range

|                 |             |              |            |
|-----------------|-------------|--------------|------------|
| Measuring range | 0...100 bar | 0...1450 psi | 0...10 MPa |
|-----------------|-------------|--------------|------------|

### Accuracy / deviations

|  |   |
|--|---|
| Repeatability [% of the span]                                      | < ± 0,05; (with temperature fluctuations < 10 K)  |
| Characteristics deviation [% of the span]                          | < ± 0,5; (incl. drift when overtightened, zero point and span error, non-linearity, hysteresis) |
| Linearity deviation [% of the span]                                | < ± 0,1 (BFSL) / < ± 0,2 (LS)   |
| Hysteresis deviation [% of the span]                               | < ± 0,2   |
| Long-term stability [% of the span]                                | < ± 0,1; (per 6 months)   |
| Temperature coefficient zero point and span [% of the span / 10 K] | < 0,1 (-25...90 °C) / < 0,2 (-40...-25 °C)  |

### Reaction times

|                                       |   |
|---------------------------------------|---|
| Step response time analog output [ms] | 1 |
|---------------------------------------|---|

### Operating conditions

|                          |               |
|--------------------------|---------------|
| Ambient temperature [°C] | -40...90      |
| Storage temperature [°C] | -40...100     |
| Protection               | IP 67; IP 69K |

### Tests / approvals

|                              |   |                     |
|------------------------------|---|---------------------|
| EMC                          | DIN EN 61000-6-2  |                     |
|                              | DIN EN 61000-6-3  |                     |
| Shock resistance             | DIN EN 60068-2-27   | 50 g (11 ms)        |
| Vibration resistance         | DIN EN 60068-2-6  | 20 g (10...2000 Hz) |
| MTTF [years]                 |   | 787                 |
| UL approval                  | UL approval number  | J029                |
| Pressure equipment directive | sound engineering practice; can be used for group 2 fluids; group 1 fluids on request |                     |

### Mechanical data

|                               |  |
|-------------------------------|--|
| Weight [g]                    | 59   |
| Housing                       | tubular  |
| Dimensions [mm]               | Ø 19 / L = 66  |
| Material                      | stainless steel (630/1.4542/17-4 PH); stainless steel (1.4404 / 316L); PEI                 |
| Materials (wetted parts)      | stainless steel (630/1.4542/17-4 PH)   |
| Min. pressure cycles          | 60 million; (at 1.2 times nominal pressure)  |
| Tightening torque [Nm]        | 25...35; (recommended tightening torque; Depends on lubrication, seal and pressure rating) |
| Process connection            | threaded connection G 1/4 external thread (DIN EN ISO 1179-2)                              |
| Process connection sealing    | FKM (DIN EN ISO 1179-2)  |
| Restrictor element integrated | no (can be retrofitted)  |

# PT5302



## Pressure transmitter

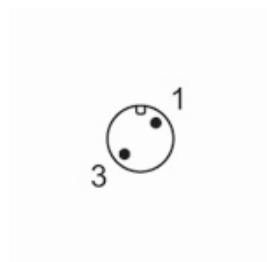
PT-100-SEG14-A-ZVG/US/ IW

### Remarks

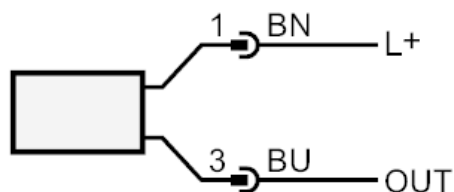
|               |   |
|---------------|---|
| Remarks       | BFSL = Best Fit Straight Line<br>LS = limit value setting |
| Pack quantity | 1 pcs.  |

### Electrical connection

Connector: 1 x M12; coding: A



### Connection



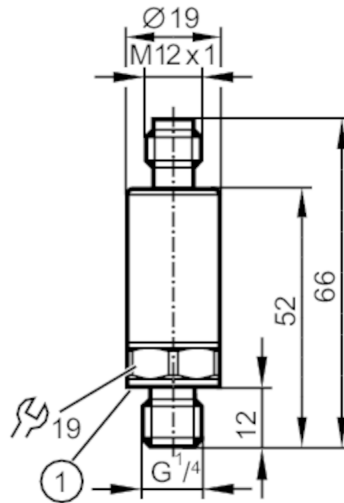
OUT            analog output  
                 Colors to DIN EN 60947-5-2  
                 Core colors :  
BN =            brown  
BU =            blue

# PT5303



## Pressure transmitter

PT-025-SEG14-A-ZVG/US/ IW



1 sealing



### Product characteristics

|                              |   |             |             |
|------------------------------|---|-------------|-------------|
| Number of inputs and outputs | Number of analog outputs: 1                                   |             |             |
| Measuring range              | 0...25 bar  | 0...360 psi | 0...2.5 MPa |
| Process connection           | threaded connection G 1/4 external thread (DIN EN ISO 1179-2) |             |             |

### Application

|                         |                             |          |         |
|-------------------------|-----------------------------|----------|---------|
| Application             | for industrial applications |          |         |
| Media                   | liquids and gases           |          |         |
| Medium temperature [°C] | -40...90                    |          |         |
| Min. burst pressure     | 600 bar                     | 8700 psi | 60 MPa  |
| Pressure rating         | 65 bar                      | 940 psi  | 6.5 MPa |
| Note on pressure rating | static                      |          |         |
| Vacuum resistance       | -1000 mbar                  | -0.1 MPa |         |
| Type of pressure        | relative pressure           |          |         |

### Electrical data

|                                 |                 |  |  |
|---------------------------------|-----------------|--|--|
| Operating voltage [V]           | 8.5...36 DC     |  |  |
| Min. insulation resistance [MΩ] | 100; (500 V DC) |  |  |
| Protection class                | III             |  |  |
| Reverse polarity protection     | yes             |  |  |
| Power-on delay time [s]         | < 0.1           |  |  |

### Inputs / outputs

|                              |                             |  |  |
|------------------------------|-----------------------------|--|--|
| Number of inputs and outputs | Number of analog outputs: 1 |  |  |
|------------------------------|-----------------------------|--|--|

### Outputs

|                            |  |  |  |
|----------------------------|--|--|--|
| Total number of outputs    | 1  |  |  |
| Output signal              | analog signal  |  |  |
| Number of analog outputs   | 1  |  |  |
| Analog current output [mA] | 4...20   |  |  |
| Max. load [Ω]              | (U <sub>b</sub> – 8,5 V) / 21,5 mA; @8,5V= 0 Ω; @12V max. 160 Ω; @24V max. 720 Ω |  |  |
| Short-circuit proof        | yes  |  |  |

# PT5303



## Pressure transmitter

PT-025-SEG14-A-ZVG/US/ IW

|                     |     |
|---------------------|-----|
| Overload protection | yes |
|---------------------|-----|

### Measuring/setting range

|                 |            |             |             |
|-----------------|------------|-------------|-------------|
| Measuring range | 0...25 bar | 0...360 psi | 0...2.5 MPa |
|-----------------|------------|-------------|-------------|

### Accuracy / deviations

|  |   |
|--|---|
| Repeatability [% of the span]                                      | < ± 0,05; (with temperature fluctuations < 10 K)  |
| Characteristics deviation [% of the span]                          | < ± 0,5; (incl. drift when overtightened, zero point and span error, non-linearity, hysteresis) |
| Linearity deviation [% of the span]                                | < ± 0,1 (BFSL) / < ± 0,2 (LS)   |
| Hysteresis deviation [% of the span]                               | < ± 0,2   |
| Long-term stability [% of the span]                                | < ± 0,1; (per 6 months)   |
| Temperature coefficient zero point and span [% of the span / 10 K] | < 0,1 (-25...90 °C) / < 0,2 (-40...-25 °C)  |

### Reaction times

|                                       |   |
|---------------------------------------|---|
| Step response time analog output [ms] | 1 |
|---------------------------------------|---|

### Operating conditions

|                          |               |
|--------------------------|---------------|
| Ambient temperature [°C] | -40...90      |
| Storage temperature [°C] | -40...100     |
| Protection               | IP 67; IP 69K |

### Tests / approvals

|                              |   |                     |
|------------------------------|---|---------------------|
| EMC                          | DIN EN 61000-6-2  |                     |
|                              | DIN EN 61000-6-3  |                     |
| Shock resistance             | DIN EN 60068-2-27   | 50 g (11 ms)        |
| Vibration resistance         | DIN EN 60068-2-6  | 20 g (10...2000 Hz) |
| MTTF [years]                 |   | 787                 |
| UL approval                  | UL approval number  | J029                |
| Pressure equipment directive | sound engineering practice; can be used for group 2 fluids; group 1 fluids on request |                     |

### Mechanical data

|                               |  |
|-------------------------------|--|
| Weight [g]                    | 58.5   |
| Housing                       | tubular  |
| Dimensions [mm]               | ∅ 19 / L = 66  |
| Material                      | stainless steel (630/1.4542/17-4 PH); stainless steel (1.4404 / 316L); PEI                 |
| Materials (wetted parts)      | stainless steel (630/1.4542/17-4 PH)   |
| Min. pressure cycles          | 60 million; (at 1.2 times nominal pressure)  |
| Tightening torque [Nm]        | 25...35; (recommended tightening torque; Depends on lubrication, seal and pressure rating) |
| Process connection            | threaded connection G 1/4 external thread (DIN EN ISO 1179-2)                              |
| Process connection sealing    | FKM (DIN EN ISO 1179-2)  |
| Restrictor element integrated | no (can be retrofitted)  |

# PT5303



## Pressure transmitter

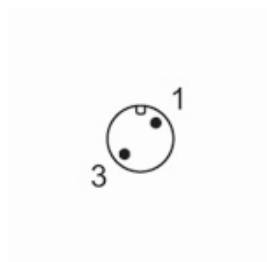
PT-025-SEG14-A-ZVG/US/ IW

### Remarks

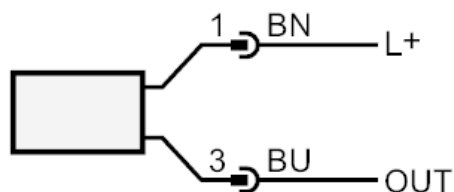
|               |   |
|---------------|---|
| Remarks       | BFSL = Best Fit Straight Line<br>LS = limit value setting |
| Pack quantity | 1 pcs.  |

### Electrical connection

Connector: 1 x M12; coding: A



### Connection



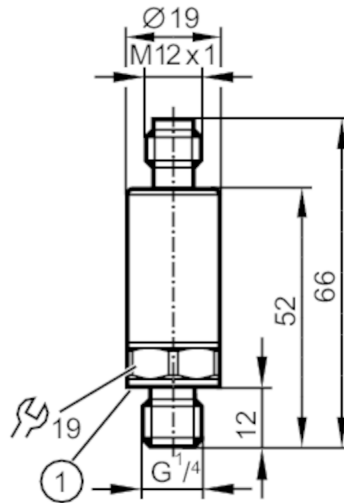
OUT            analog output  
                 Colors to DIN EN 60947-5-2  
                 Core colors :  
BN =            brown  
BU =            blue

# PT5304



## Pressure transmitter

PT-010-SEG14-A-ZVG/US/ IW



1 sealing



### Product characteristics

|                              |   |             |              |           |
|------------------------------|---|-------------|--------------|-----------|
| Number of inputs and outputs | Number of analog outputs: 1                                   |             |              |           |
| Measuring range              | 0...10 bar  | 0...145 psi | 0...1000 kPa | 0...1 MPa |
| Process connection           | threaded connection G 1/4 external thread (DIN EN ISO 1179-2) |             |              |           |

### Application

|                         |                             |          |         |
|-------------------------|-----------------------------|----------|---------|
| Application             | for industrial applications |          |         |
| Media                   | liquids and gases           |          |         |
| Medium temperature [°C] | -40...90                    |          |         |
| Min. burst pressure     | 300 bar                     | 4350 psi | 30 MPa  |
| Pressure rating         | 25 bar                      | 360 psi  | 2.5 MPa |
| Note on pressure rating | static                      |          |         |
| Vacuum resistance       | -1000 mbar                  | -0.1 MPa |         |
| Type of pressure        | relative pressure           |          |         |

### Electrical data

|                                 |                 |
|---------------------------------|-----------------|
| Operating voltage [V]           | 8.5...36 DC     |
| Min. insulation resistance [MΩ] | 100; (500 V DC) |
| Protection class                | III             |
| Reverse polarity protection     | yes             |
| Power-on delay time [s]         | < 0.1           |

### Inputs / outputs

|                              |                             |
|------------------------------|-----------------------------|
| Number of inputs and outputs | Number of analog outputs: 1 |
|------------------------------|-----------------------------|

### Outputs

|                            |   |
|----------------------------|---|
| Total number of outputs    | 1   |
| Output signal              | analog signal   |
| Number of analog outputs   | 1   |
| Analog current output [mA] | 4...20  |
| Max. load [Ω]              | ( $U_b - 8,5 V$ ) / 21,5 mA; @8,5V= 0 Ω; @12V max. 160 Ω; @24V max. 720 Ω |
| Short-circuit proof        | yes   |

# PT5304



## Pressure transmitter

PT-010-SEG14-A-ZVG/US/ IW

|  |   |             |                     |           |
|--|---|-------------|---------------------|-----------|
| Overload protection  | yes   |             |                     |           |
| <b>Measuring/setting range</b>                                     |   |             |                     |           |
| Measuring range  | 0...10 bar  | 0...145 psi | 0...1000 kPa        | 0...1 MPa |
| <b>Accuracy / deviations</b>                                       |   |             |                     |           |
| Repeatability [% of the span]                                      | < ± 0,05; (with temperature fluctuations < 10 K)  |             |                     |           |
| Characteristics deviation [% of the span]                          | < ± 0,5; (incl. drift when overtightened, zero point and span error, non-linearity, hysteresis) |             |                     |           |
| Linearity deviation [% of the span]                                | < ± 0,1 (BFSL) / < ± 0,2 (LS)   |             |                     |           |
| Hysteresis deviation [% of the span]                               | < ± 0,2   |             |                     |           |
| Long-term stability [% of the span]                                | < ± 0,1; (per 6 months)   |             |                     |           |
| Temperature coefficient zero point and span [% of the span / 10 K] | < 0,1 (-25...90 °C) / < 0,2 (-40...-25 °C)  |             |                     |           |
| <b>Reaction times</b>  |   |             |                     |           |
| Step response time analog output [ms]                              | 1   |             |                     |           |
| <b>Operating conditions</b>  |   |             |                     |           |
| Ambient temperature [°C]   | -40...90  |             |                     |           |
| Storage temperature [°C]   | -40...100   |             |                     |           |
| Protection   | IP 67; IP 69K   |             |                     |           |
| <b>Tests / approvals</b>   |   |             |                     |           |
| EMC  | DIN EN 61000-6-2  |             |                     |           |
|  | DIN EN 61000-6-3  |             |                     |           |
| Shock resistance   | DIN EN 60068-2-27   |             | 50 g (11 ms)        |           |
| Vibration resistance   | DIN EN 60068-2-6  |             | 20 g (10...2000 Hz) |           |
| MTTF [years]   | 787   |             |                     |           |
| UL approval  | UL approval number  |             | J029                |           |
| Pressure equipment directive                                       | sound engineering practice; can be used for group 2 fluids; group 1 fluids on request           |             |                     |           |
| <b>Mechanical data</b>   |   |             |                     |           |
| Weight [g]   | 58.5  |             |                     |           |
| Housing  | tubular   |             |                     |           |
| Dimensions [mm]  | Ø 19 / L = 66   |             |                     |           |
| Material   | stainless steel (630/1.4542/17-4 PH); stainless steel (1.4404 / 316L); PEI                      |             |                     |           |
| Materials (wetted parts)   | stainless steel (630/1.4542/17-4 PH)  |             |                     |           |
| Min. pressure cycles   | 60 million; (at 1.2 times nominal pressure)   |             |                     |           |
| Tightening torque [Nm]   | 25...35; (recommended tightening torque; Depends on lubrication, seal and pressure rating)      |             |                     |           |
| Process connection   | threaded connection G 1/4 external thread (DIN EN ISO 1179-2)                                   |             |                     |           |
| Process connection sealing   | FKM (DIN EN ISO 1179-2)   |             |                     |           |
| Restrictor element integrated                                      | no (can be retrofitted)   |             |                     |           |

# PT5304



## Pressure transmitter

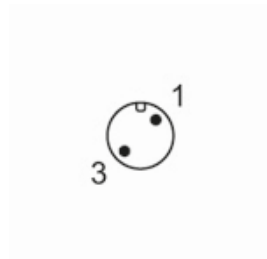
PT-010-SEG14-A-ZVG/US/ IW

### Remarks

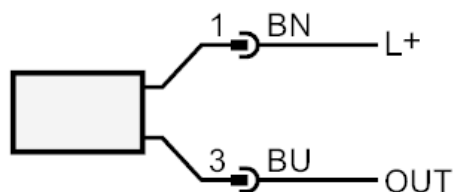
|               |                               |
|---------------|-------------------------------|
| Remarks       | BFSL = Best Fit Straight Line |
|               | LS = limit value setting      |
| Pack quantity | 1 pcs.                        |

### Electrical connection

Connector: 1 x M12; coding: A



### Connection



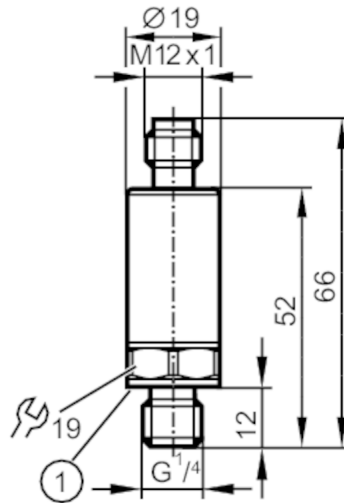
OUT            analog output  
                 Colors to DIN EN 60947-5-2  
                 Core colors :  
BN =            brown  
BU =            blue

# PT5312



## Pressure transmitter

PT-160-SEG14-A-ZVG/US/ IW



1 sealing



### Product characteristics

|                              |   |              |            |
|------------------------------|---|--------------|------------|
| Number of inputs and outputs | Number of analog outputs: 1                                   |              |            |
| Measuring range              | 0...160 bar   | 0...2320 psi | 0...16 MPa |
| Process connection           | threaded connection G 1/4 external thread (DIN EN ISO 1179-2) |              |            |

### Application

|                         |                             |           |         |
|-------------------------|-----------------------------|-----------|---------|
| Application             | for industrial applications |           |         |
| Media                   | liquids and gases           |           |         |
| Medium temperature [°C] | -40...90                    |           |         |
| Min. burst pressure     | 1100 bar                    | 15950 psi | 110 MPa |
| Pressure rating         | 400 bar                     | 5800 psi  | 40 MPa  |
| Note on pressure rating | static                      |           |         |
| Vacuum resistance       | -1000 mbar                  | -0.1 MPa  |         |
| Type of pressure        | relative pressure           |           |         |

### Electrical data

|                                 |                 |  |  |
|---------------------------------|-----------------|--|--|
| Operating voltage [V]           | 8.5...36 DC     |  |  |
| Min. insulation resistance [MΩ] | 100; (500 V DC) |  |  |
| Protection class                | III             |  |  |
| Reverse polarity protection     | yes             |  |  |
| Power-on delay time [s]         | < 0.1           |  |  |

### Inputs / outputs

|                              |                             |  |  |
|------------------------------|-----------------------------|--|--|
| Number of inputs and outputs | Number of analog outputs: 1 |  |  |
|------------------------------|-----------------------------|--|--|

### Outputs

|                            |  |  |  |
|----------------------------|--|--|--|
| Total number of outputs    | 1  |  |  |
| Output signal              | analog signal  |  |  |
| Number of analog outputs   | 1  |  |  |
| Analog current output [mA] | 4...20   |  |  |
| Max. load [Ω]              | (U <sub>b</sub> - 8,5 V) / 21,5 mA; @8,5V= 0 Ω; @12V max. 160 Ω; @24V max. 720 Ω |  |  |
| Short-circuit proof        | yes  |  |  |

# PT5312



## Pressure transmitter

PT-160-SEG14-A-ZVG/US/ IW

|                     |     |
|---------------------|-----|
| Overload protection | yes |
|---------------------|-----|

### Measuring/setting range

|                 |             |              |            |
|-----------------|-------------|--------------|------------|
| Measuring range | 0...160 bar | 0...2320 psi | 0...16 MPa |
|-----------------|-------------|--------------|------------|

### Accuracy / deviations

|  |   |
|--|---|
| Repeatability [% of the span]                                      | < ± 0,05; (with temperature fluctuations < 10 K)  |
| Characteristics deviation [% of the span]                          | < ± 0,5; (incl. drift when overtightened, zero point and span error, non-linearity, hysteresis) |
| Linearity deviation [% of the span]                                | < ± 0,1 (BFSL) / < ± 0,2 (LS)   |
| Hysteresis deviation [% of the span]                               | < ± 0,2   |
| Long-term stability [% of the span]                                | < ± 0,1; (per 6 months)   |
| Temperature coefficient zero point and span [% of the span / 10 K] | < 0,1 (-25...90 °C) / < 0,2 (-40...-25 °C)  |

### Reaction times

|                                       |   |
|---------------------------------------|---|
| Step response time analog output [ms] | 1 |
|---------------------------------------|---|

### Operating conditions

|                          |               |
|--------------------------|---------------|
| Ambient temperature [°C] | -40...90      |
| Storage temperature [°C] | -40...100     |
| Protection               | IP 67; IP 69K |

### Tests / approvals

|                              |   |                     |
|------------------------------|---|---------------------|
| EMC                          | DIN EN 61000-6-2  |                     |
|                              | DIN EN 61000-6-3  |                     |
| Shock resistance             | DIN EN 60068-2-27   | 50 g (11 ms)        |
| Vibration resistance         | DIN EN 60068-2-6  | 20 g (10...2000 Hz) |
| MTTF [years]                 |   | 787                 |
| UL approval                  | UL approval number  | J028                |
| Pressure equipment directive | sound engineering practice; can be used for group 2 fluids; group 1 fluids on request |                     |

### Mechanical data

|                               |  |
|-------------------------------|--|
| Weight [g]                    | 59.5   |
| Housing                       | tubular  |
| Dimensions [mm]               | Ø 19 / L = 66  |
| Material                      | stainless steel (630/1.4542/17-4 PH); stainless steel (1.4404 / 316L); PEI                 |
| Materials (wetted parts)      | stainless steel (630/1.4542/17-4 PH)   |
| Min. pressure cycles          | 60 million; (at 1.2 times nominal pressure)  |
| Tightening torque [Nm]        | 25...35; (recommended tightening torque; Depends on lubrication, seal and pressure rating) |
| Process connection            | threaded connection G 1/4 external thread (DIN EN ISO 1179-2)                              |
| Process connection sealing    | FKM (DIN EN ISO 1179-2)  |
| Restrictor element integrated | no (can be retrofitted)  |

# PT5312



## Pressure transmitter

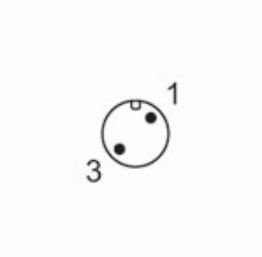
PT-160-SEG14-A-ZVG/US/ IW

### Remarks

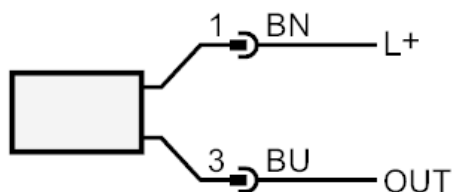
|               |   |
|---------------|---|
| Remarks       | BFSL = Best Fit Straight Line<br>LS = limit value setting |
| Pack quantity | 1 pcs.  |

### Electrical connection

Connector: 1 x M12; coding: A



### Connection



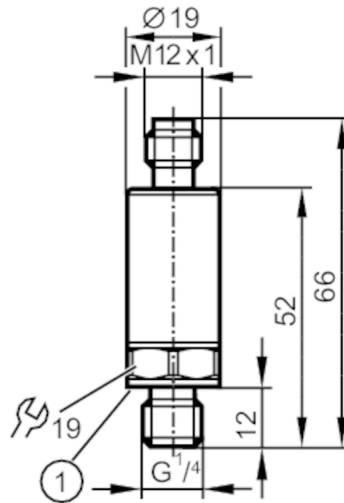
OUT            analog output  
                 Colors to DIN EN 60947-5-2  
                 Core colors :  
BN =            brown  
BU =            blue

# PT5314



## Pressure transmitter

PT-016-SEG14-A-ZVG/US/ IW



1 sealing



### Product characteristics

|                              |   |             |             |
|------------------------------|---|-------------|-------------|
| Number of inputs and outputs | Number of analog outputs: 1                                   |             |             |
| Measuring range              | 0...16 bar  | 0...232 psi | 0...1.6 MPa |
| Process connection           | threaded connection G 1/4 external thread (DIN EN ISO 1179-2) |             |             |

### Application

|                         |                             |          |        |
|-------------------------|-----------------------------|----------|--------|
| Application             | for industrial applications |          |        |
| Media                   | liquids and gases           |          |        |
| Medium temperature [°C] | -40...90                    |          |        |
| Min. burst pressure     | 450 bar                     | 6525 psi | 45 MPa |
| Pressure rating         | 40 bar                      | 580 psi  | 4 MPa  |
| Note on pressure rating | static                      |          |        |
| Vacuum resistance       | -1000 mbar                  | -0.1 MPa |        |
| Type of pressure        | relative pressure           |          |        |

### Electrical data

|                                 |                 |  |  |
|---------------------------------|-----------------|--|--|
| Operating voltage [V]           | 8.5...36 DC     |  |  |
| Min. insulation resistance [MΩ] | 100; (500 V DC) |  |  |
| Protection class                | III             |  |  |
| Reverse polarity protection     | yes             |  |  |
| Power-on delay time [s]         | < 0.1           |  |  |

### Inputs / outputs

|                              |                             |  |  |
|------------------------------|-----------------------------|--|--|
| Number of inputs and outputs | Number of analog outputs: 1 |  |  |
|------------------------------|-----------------------------|--|--|

### Outputs

|                            |  |  |  |
|----------------------------|--|--|--|
| Total number of outputs    | 1  |  |  |
| Output signal              | analog signal  |  |  |
| Number of analog outputs   | 1  |  |  |
| Analog current output [mA] | 4...20   |  |  |
| Max. load [Ω]              | (U <sub>b</sub> – 8,5 V) / 21,5 mA; @8,5V= 0 Ω; @12V max. 160 Ω; @24V max. 720 Ω |  |  |
| Short-circuit proof        | yes  |  |  |

# PT5314



## Pressure transmitter

PT-016-SEG14-A-ZVG/US/ IW

|                     |     |
|---------------------|-----|
| Overload protection | yes |
|---------------------|-----|

### Measuring/setting range

|                 |            |             |             |
|-----------------|------------|-------------|-------------|
| Measuring range | 0...16 bar | 0...232 psi | 0...1.6 MPa |
|-----------------|------------|-------------|-------------|

### Accuracy / deviations

|  |   |
|--|---|
| Repeatability [% of the span]                                      | < ± 0,05; (with temperature fluctuations < 10 K)  |
| Characteristics deviation [% of the span]                          | < ± 0,5; (incl. drift when overtightened, zero point and span error, non-linearity, hysteresis) |
| Linearity deviation [% of the span]                                | < ± 0,1 (BFSL) / < ± 0,2 (LS)   |
| Hysteresis deviation [% of the span]                               | < ± 0,2   |
| Long-term stability [% of the span]                                | < ± 0,1; (per 6 months)   |
| Temperature coefficient zero point and span [% of the span / 10 K] | < 0,1 (-25...90 °C) / < 0,2 (-40...-25 °C)  |

### Reaction times

|                                       |   |
|---------------------------------------|---|
| Step response time analog output [ms] | 1 |
|---------------------------------------|---|

### Operating conditions

|                          |               |
|--------------------------|---------------|
| Ambient temperature [°C] | -40...90      |
| Storage temperature [°C] | -40...100     |
| Protection               | IP 67; IP 69K |

### Tests / approvals

|                              |   |                     |
|------------------------------|---|---------------------|
| EMC                          | DIN EN 61000-6-2  |                     |
|                              | DIN EN 61000-6-3  |                     |
| Shock resistance             | DIN EN 60068-2-27   | 50 g (11 ms)        |
| Vibration resistance         | DIN EN 60068-2-6  | 20 g (10...2000 Hz) |
| MTTF [years]                 |   | 787                 |
| UL approval                  | UL approval number  | J029                |
| Pressure equipment directive | sound engineering practice; can be used for group 2 fluids; group 1 fluids on request |                     |

### Mechanical data

|                               |  |
|-------------------------------|--|
| Weight [g]                    | 58.5   |
| Housing                       | tubular  |
| Dimensions [mm]               | Ø 19 / L = 66  |
| Material                      | stainless steel (630/1.4542/17-4 PH); stainless steel (1.4404 / 316L); PEI                 |
| Materials (wetted parts)      | stainless steel (630/1.4542/17-4 PH)   |
| Min. pressure cycles          | 60 million; (at 1.2 times nominal pressure)  |
| Tightening torque [Nm]        | 25...35; (recommended tightening torque; Depends on lubrication, seal and pressure rating) |
| Process connection            | threaded connection G 1/4 external thread (DIN EN ISO 1179-2)                              |
| Process connection sealing    | FKM (DIN EN ISO 1179-2)  |
| Restrictor element integrated | no (can be retrofitted)  |

# PT5314



## Pressure transmitter

PT-016-SEG14-A-ZVG/US/ IW

### Remarks

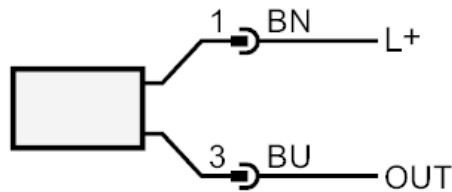
|               |   |
|---------------|---|
| Remarks       | BFSL = Best Fit Straight Line<br>LS = limit value setting |
| Pack quantity | 1 pcs.  |

### Electrical connection

Connector: 1 x M12; coding: A



### Connection



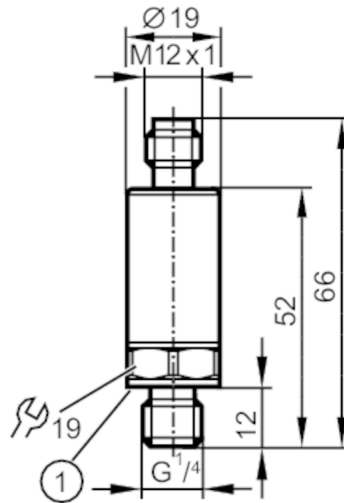
OUT            analog output  
                 Colors to DIN EN 60947-5-2  
                 Core colors :  
BN =            brown  
BU =            blue

# PT5315



## Pressure transmitter

PT-006-SEG14-A-ZVG/US / IW



1 sealing



### Product characteristics

|                              |   |            |             |             |
|------------------------------|---|------------|-------------|-------------|
| Number of inputs and outputs | Number of analog outputs: 1                                   |            |             |             |
| Measuring range              | 0...6 bar   | 0...87 psi | 0...600 kPa | 0...0.6 MPa |
| Process connection           | threaded connection G 1/4 external thread (DIN EN ISO 1179-2) |            |             |             |

### Application

|                         |                             |          |         |
|-------------------------|-----------------------------|----------|---------|
| Application             | for industrial applications |          |         |
| Media                   | liquids and gases           |          |         |
| Medium temperature [°C] | -40...90                    |          |         |
| Min. burst pressure     | 200 bar                     | 2900 psi | 20 MPa  |
| Pressure rating         | 15 bar                      | 215 psi  | 1.5 MPa |
| Note on pressure rating | static                      |          |         |
| Vacuum resistance       | -1000 mbar                  | -0.1 MPa |         |
| Type of pressure        | relative pressure           |          |         |

### Electrical data

|                                 |                 |
|---------------------------------|-----------------|
| Operating voltage [V]           | 8.5...36 DC     |
| Min. insulation resistance [MΩ] | 100; (500 V DC) |
| Protection class                | III             |
| Reverse polarity protection     | yes             |
| Power-on delay time [s]         | < 0.1           |

### Inputs / outputs

|                              |                             |
|------------------------------|-----------------------------|
| Number of inputs and outputs | Number of analog outputs: 1 |
|------------------------------|-----------------------------|

### Outputs

|                            |  |
|----------------------------|--|
| Total number of outputs    | 1  |
| Output signal              | analog signal  |
| Number of analog outputs   | 1  |
| Analog current output [mA] | 4...20   |
| Max. load [Ω]              | $(U_b - 8,5 \text{ V}) / 21,5 \text{ mA}$ ; @8,5V= 0 Ω; @12V max. 160 Ω; @24V max. 720 Ω |
| Short-circuit proof        | yes  |

# PT5315



## Pressure transmitter

PT-006-SEG14-A-ZVG/US/ IW

|                     |     |
|---------------------|-----|
| Overload protection | yes |
|---------------------|-----|

### Measuring/setting range

|                 |           |            |             |             |
|-----------------|-----------|------------|-------------|-------------|
| Measuring range | 0...6 bar | 0...87 psi | 0...600 kPa | 0...0.6 MPa |
|-----------------|-----------|------------|-------------|-------------|

### Accuracy / deviations

|  |   |
|--|---|
| Repeatability [% of the span]                                      | < ± 0,05; (with temperature fluctuations < 10 K)  |
| Characteristics deviation [% of the span]                          | < ± 0,5; (incl. drift when overtightened, zero point and span error, non-linearity, hysteresis) |
| Linearity deviation [% of the span]                                | < ± 0,1 (BFSL) / < ± 0,2 (LS)   |
| Hysteresis deviation [% of the span]                               | < ± 0,2   |
| Long-term stability [% of the span]                                | < ± 0,1; (per 6 months)   |
| Temperature coefficient zero point and span [% of the span / 10 K] | < 0,1 (-25...90 °C) / < 0,2 (-40...-25 °C)  |

### Reaction times

|                                       |   |
|---------------------------------------|---|
| Step response time analog output [ms] | 1 |
|---------------------------------------|---|

### Operating conditions

|                          |               |
|--------------------------|---------------|
| Ambient temperature [°C] | -40...90      |
| Storage temperature [°C] | -40...100     |
| Protection               | IP 67; IP 69K |

### Tests / approvals

|                              |   |                     |
|------------------------------|---|---------------------|
| EMC                          | DIN EN 61000-6-2  |                     |
|                              | DIN EN 61000-6-3  |                     |
| Shock resistance             | DIN EN 60068-2-27   | 50 g (11 ms)        |
| Vibration resistance         | DIN EN 60068-2-6  | 20 g (10...2000 Hz) |
| MTTF [years]                 |   | 787                 |
| UL approval                  | UL approval number  | J029                |
| Pressure equipment directive | sound engineering practice; can be used for group 2 fluids; group 1 fluids on request |                     |

### Mechanical data

|                               |  |
|-------------------------------|--|
| Weight [g]                    | 58   |
| Housing                       | tubular  |
| Dimensions [mm]               | ∅ 19 / L = 66  |
| Material                      | stainless steel (630/1.4542/17-4 PH); stainless steel (1.4404 / 316L); PEI                 |
| Materials (wetted parts)      | stainless steel (630/1.4542/17-4 PH)   |
| Min. pressure cycles          | 60 million; (at 1.2 times nominal pressure)  |
| Tightening torque [Nm]        | 25...35; (recommended tightening torque; Depends on lubrication, seal and pressure rating) |
| Process connection            | threaded connection G 1/4 external thread (DIN EN ISO 1179-2)                              |
| Process connection sealing    | FKM (DIN EN ISO 1179-2)  |
| Restrictor element integrated | no (can be retrofitted)  |

# PT5315



## Pressure transmitter

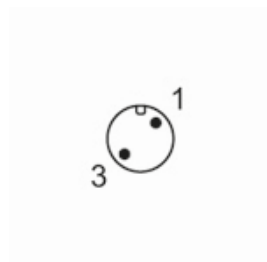
PT-006-SEG14-A-ZVG/US/ IW

### Remarks

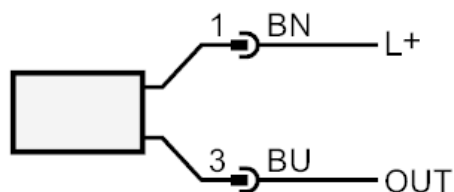
|               |   |
|---------------|---|
| Remarks       | BFSL = Best Fit Straight Line<br>LS = limit value setting |
| Pack quantity | 1 pcs.  |

### Electrical connection

Connector: 1 x M12; coding: A



### Connection



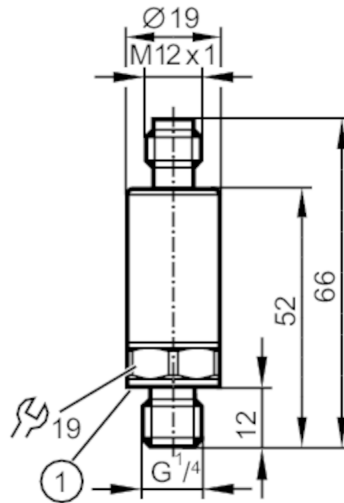
OUT            analog output  
                 Colors to DIN EN 60947-5-2  
                 Core colors :  
BN =            brown  
BU =            blue

# PT5343



## Pressure transmitter

PT-040-SEG14-A-ZVG/US/ IW



1 sealing



### Product characteristics

|                              |   |             |           |
|------------------------------|---|-------------|-----------|
| Number of inputs and outputs | Number of analog outputs: 1                                   |             |           |
| Measuring range              | 0...40 bar  | 0...580 psi | 0...4 MPa |
| Process connection           | threaded connection G 1/4 external thread (DIN EN ISO 1179-2) |             |           |

### Application

|                         |                             |           |        |
|-------------------------|-----------------------------|-----------|--------|
| Application             | for industrial applications |           |        |
| Media                   | liquids and gases           |           |        |
| Medium temperature [°C] | -40...90                    |           |        |
| Min. burst pressure     | 800 bar                     | 11600 psi | 80 MPa |
| Pressure rating         | 100 bar                     | 1450 psi  | 10 MPa |
| Note on pressure rating | static                      |           |        |
| Vacuum resistance       | -1000 mbar                  | -0.1 MPa  |        |
| Type of pressure        | relative pressure           |           |        |

### Electrical data

|                                 |                 |  |  |
|---------------------------------|-----------------|--|--|
| Operating voltage [V]           | 8.5...36 DC     |  |  |
| Min. insulation resistance [MΩ] | 100; (500 V DC) |  |  |
| Protection class                | III             |  |  |
| Reverse polarity protection     | yes             |  |  |
| Power-on delay time [s]         | < 0.1           |  |  |

### Inputs / outputs

|                              |                             |  |  |
|------------------------------|-----------------------------|--|--|
| Number of inputs and outputs | Number of analog outputs: 1 |  |  |
|------------------------------|-----------------------------|--|--|

### Outputs

|                            |  |  |  |
|----------------------------|--|--|--|
| Total number of outputs    | 1  |  |  |
| Output signal              | analog signal  |  |  |
| Number of analog outputs   | 1  |  |  |
| Analog current output [mA] | 4...20   |  |  |
| Max. load [Ω]              | (U <sub>b</sub> – 8,5 V) / 21,5 mA; @8,5V= 0 Ω; @12V max. 160 Ω; @24V max. 720 Ω |  |  |
| Short-circuit proof        | yes  |  |  |

# PT5343



## Pressure transmitter

PT-040-SEG14-A-ZVG/US/ IW

|                     |     |
|---------------------|-----|
| Overload protection | yes |
|---------------------|-----|

### Measuring/setting range

|                 |            |             |           |
|-----------------|------------|-------------|-----------|
| Measuring range | 0...40 bar | 0...580 psi | 0...4 MPa |
|-----------------|------------|-------------|-----------|

### Accuracy / deviations

|  |   |
|--|---|
| Repeatability [% of the span]                                      | < ± 0,05; (with temperature fluctuations < 10 K)  |
| Characteristics deviation [% of the span]                          | < ± 0,5; (incl. drift when overtightened, zero point and span error, non-linearity, hysteresis) |
| Linearity deviation [% of the span]                                | < ± 0,1 (BFSL) / < ± 0,2 (LS)   |
| Hysteresis deviation [% of the span]                               | < ± 0,2   |
| Long-term stability [% of the span]                                | < ± 0,1; (per 6 months)   |
| Temperature coefficient zero point and span [% of the span / 10 K] | < 0,1 (-25...90 °C) / < 0,2 (-40...-25 °C)  |

### Reaction times

|                                       |   |
|---------------------------------------|---|
| Step response time analog output [ms] | 1 |
|---------------------------------------|---|

### Operating conditions

|                          |               |
|--------------------------|---------------|
| Ambient temperature [°C] | -40...90      |
| Storage temperature [°C] | -40...100     |
| Protection               | IP 67; IP 69K |

### Tests / approvals

|                              |   |                     |
|------------------------------|---|---------------------|
| EMC                          | DIN EN 61000-6-2  |                     |
|                              | DIN EN 61000-6-3  |                     |
| Shock resistance             | DIN EN 60068-2-27   | 50 g (11 ms)        |
| Vibration resistance         | DIN EN 60068-2-6  | 20 g (10...2000 Hz) |
| MTTF [years]                 |   | 787                 |
| UL approval                  | UL approval number  | J029                |
| Pressure equipment directive | sound engineering practice; can be used for group 2 fluids; group 1 fluids on request |                     |

### Mechanical data

|                               |  |
|-------------------------------|--|
| Weight [g]                    | 59   |
| Housing                       | tubular  |
| Dimensions [mm]               | ∅ 19 / L = 66  |
| Material                      | stainless steel (630/1.4542/17-4 PH); stainless steel (1.4404 / 316L); PEI                 |
| Materials (wetted parts)      | stainless steel (630/1.4542/17-4 PH)   |
| Min. pressure cycles          | 60 million; (at 1.2 times nominal pressure)  |
| Tightening torque [Nm]        | 25...35; (recommended tightening torque; Depends on lubrication, seal and pressure rating) |
| Process connection            | threaded connection G 1/4 external thread (DIN EN ISO 1179-2)                              |
| Process connection sealing    | FKM (DIN EN ISO 1179-2)  |
| Restrictor element integrated | no (can be retrofitted)  |

# PT5343



## Pressure transmitter

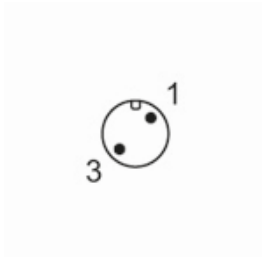
PT-040-SEG14-A-ZVG/US/ IW

### Remarks

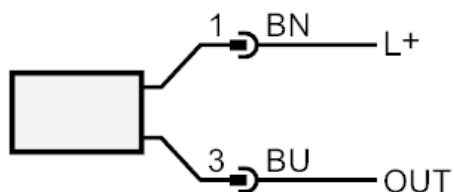
|               |   |
|---------------|---|
| Remarks       | BFSL = Best Fit Straight Line<br>LS = limit value setting |
| Pack quantity | 1 pcs.  |

### Electrical connection

Connector: 1 x M12; coding: A



### Connection



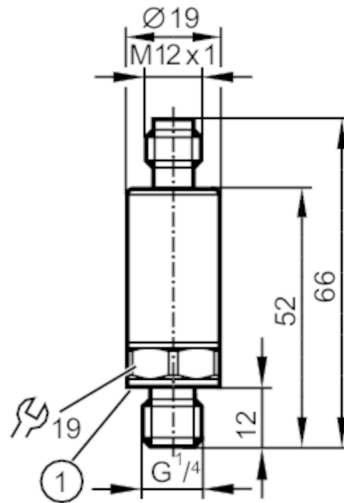
OUT1            analog output  
                  Colors to DIN EN 60947-5-2  
                  Core colors :  
BN =            brown  
BU =            blue

# PT5400



## Pressure transmitter

PT-400-SEG14-A-ZVG/US/ IW



1 sealing



### Product characteristics

|                              |   |              |            |
|------------------------------|---|--------------|------------|
| Number of inputs and outputs | Number of analog outputs: 1                                   |              |            |
| Measuring range              | 0...400 bar   | 0...5800 psi | 0...40 MPa |
| Process connection           | threaded connection G 1/4 external thread (DIN EN ISO 1179-2) |              |            |

### Application

|                         |                             |           |         |
|-------------------------|-----------------------------|-----------|---------|
| Application             | for industrial applications |           |         |
| Media                   | liquids and gases           |           |         |
| Medium temperature [°C] | -40...90                    |           |         |
| Min. burst pressure     | 1700 bar                    | 24655 psi | 170 MPa |
| Pressure rating         | 1000 bar                    | 14500 psi | 100 MPa |
| Note on pressure rating | static                      |           |         |
| Vacuum resistance       | -1000 mbar                  | -0.1 MPa  |         |
| Type of pressure        | relative pressure           |           |         |

### Electrical data

|                                 |                 |  |  |
|---------------------------------|-----------------|--|--|
| Operating voltage [V]           | 8.5...36 DC     |  |  |
| Min. insulation resistance [MΩ] | 100; (500 V DC) |  |  |
| Protection class                | III             |  |  |
| Reverse polarity protection     | yes             |  |  |
| Power-on delay time [s]         | < 0.1           |  |  |

### Inputs / outputs

|                              |                             |  |  |
|------------------------------|-----------------------------|--|--|
| Number of inputs and outputs | Number of analog outputs: 1 |  |  |
|------------------------------|-----------------------------|--|--|

### Outputs

|                            |  |  |  |
|----------------------------|--|--|--|
| Total number of outputs    | 1  |  |  |
| Output signal              | analog signal  |  |  |
| Number of analog outputs   | 1  |  |  |
| Analog current output [mA] | 4...20   |  |  |
| Max. load [Ω]              | (U <sub>b</sub> – 8,5 V) / 21,5 mA; @8,5V= 0 Ω; @12V max. 160 Ω; @24V max. 720 Ω |  |  |
| Short-circuit proof        | yes  |  |  |

# PT5400



## Pressure transmitter

PT-400-SEG14-A-ZVG/US/ IW

|  |   |                     |            |
|--|---|---------------------|------------|
| Overload protection  | yes   |                     |            |
| <b>Measuring/setting range</b>                                     |   |                     |            |
| Measuring range  | 0...400 bar   | 0...5800 psi        | 0...40 MPa |
| <b>Accuracy / deviations</b>                                       |   |                     |            |
| Repeatability [% of the span]                                      | < ± 0,05; (with temperature fluctuations < 10 K)  |                     |            |
| Characteristics deviation [% of the span]                          | < ± 0,5; (incl. drift when overtightened, zero point and span error, non-linearity, hysteresis) |                     |            |
| Linearity deviation [% of the span]                                | < ± 0,1 (BFSL) / < ± 0,2 (LS)   |                     |            |
| Hysteresis deviation [% of the span]                               | < ± 0,2   |                     |            |
| Long-term stability [% of the span]                                | < ± 0,1; (per 6 months)   |                     |            |
| Temperature coefficient zero point and span [% of the span / 10 K] | < 0,1 (-25...90 °C) / < 0,2 (-40...-25 °C)  |                     |            |
| <b>Reaction times</b>  |   |                     |            |
| Step response time analog output [ms]                              | 1   |                     |            |
| <b>Operating conditions</b>  |   |                     |            |
| Ambient temperature [°C]   | -40...90  |                     |            |
| Storage temperature [°C]   | -40...100   |                     |            |
| Protection   | IP 67; IP 69K   |                     |            |
| <b>Tests / approvals</b>   |   |                     |            |
| EMC  | DIN EN 61000-6-2  |                     |            |
|  | DIN EN 61000-6-3  |                     |            |
| Shock resistance   | DIN EN 60068-2-27   | 50 g (11 ms)        |            |
| Vibration resistance   | DIN EN 60068-2-6  | 20 g (10...2000 Hz) |            |
| MTTF [years]   | 686   |                     |            |
| Pressure equipment directive                                       | sound engineering practice; can be used for group 2 fluids; group 1 fluids on request           |                     |            |
| <b>Mechanical data</b>   |   |                     |            |
| Weight [g]   | 60  |                     |            |
| Housing  | tubular   |                     |            |
| Dimensions [mm]  | Ø 19 / L = 66   |                     |            |
| Material   | stainless steel (630/1.4542/17-4 PH); stainless steel (1.4404 / 316L); PEI                      |                     |            |
| Materials (wetted parts)   | stainless steel (630/1.4542/17-4 PH)  |                     |            |
| Min. pressure cycles   | 60 million; (at 1.2 times nominal pressure)   |                     |            |
| Tightening torque [Nm]   | 25...35; (recommended tightening torque; Depends on lubrication, seal and pressure rating)      |                     |            |
| Process connection   | threaded connection G 1/4 external thread (DIN EN ISO 1179-2)                                   |                     |            |
| Process connection sealing   | FKM (DIN EN ISO 1179-2)   |                     |            |
| Restrictor element integrated                                      | no (can be retrofitted)   |                     |            |
| <b>Remarks</b>   |   |                     |            |
| Remarks  | BFSL = Best Fit Straight Line<br>LS = limit value setting                                       |                     |            |

# PT5400



## Pressure transmitter

PT-400-SEG14-A-ZVG/US/ IW

Pack quantity

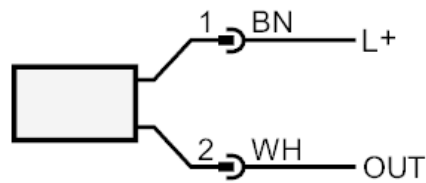
1 pcs.

### Electrical connection

Connector: 1 x M12; coding: A



### Connection



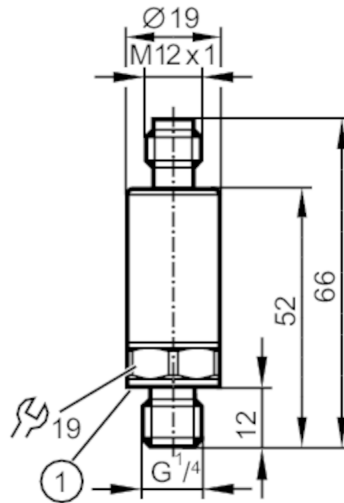
|     |  |
|-----|--|
| OUT | analog output<br>The following pin connection is available at article number PT53xx Pin 1: L+, Pin 3: OUT<br>Colors to DIN EN 60947-5-2<br>Core colors : |
| BN  | brown  |
| WH  | white  |

# PT5401



## Pressure transmitter

PT-250-SEG14-A-ZVG/US/ IW



1 sealing



### Product characteristics

|                              |   |              |            |
|------------------------------|---|--------------|------------|
| Number of inputs and outputs | Number of analog outputs: 1                                   |              |            |
| Measuring range              | 0...250 bar   | 0...3625 psi | 0...25 MPa |
| Process connection           | threaded connection G 1/4 external thread (DIN EN ISO 1179-2) |              |            |

### Application

|                         |                             |           |          |
|-------------------------|-----------------------------|-----------|----------|
| Application             | for industrial applications |           |          |
| Media                   | liquids and gases           |           |          |
| Medium temperature [°C] | -40...90                    |           |          |
| Min. burst pressure     | 1200 bar                    | 17400 psi | 120 MPa  |
| Pressure rating         | 625 bar                     | 9060 psi  | 62.5 MPa |
| Note on pressure rating | static                      |           |          |
| Vacuum resistance       | -1000 mbar                  | -0.1 MPa  |          |
| Type of pressure        | relative pressure           |           |          |

### Electrical data

|                                 |                 |  |  |
|---------------------------------|-----------------|--|--|
| Operating voltage [V]           | 8.5...36 DC     |  |  |
| Min. insulation resistance [MΩ] | 100; (500 V DC) |  |  |
| Protection class                | III             |  |  |
| Reverse polarity protection     | yes             |  |  |
| Power-on delay time [s]         | < 0.1           |  |  |

### Inputs / outputs

|                              |                             |  |  |
|------------------------------|-----------------------------|--|--|
| Number of inputs and outputs | Number of analog outputs: 1 |  |  |
|------------------------------|-----------------------------|--|--|

### Outputs

|                            |  |  |  |
|----------------------------|--|--|--|
| Total number of outputs    | 1  |  |  |
| Output signal              | analog signal  |  |  |
| Number of analog outputs   | 1  |  |  |
| Analog current output [mA] | 4...20   |  |  |
| Max. load [Ω]              | (U <sub>b</sub> – 8,5 V) / 21,5 mA; @8,5V= 0 Ω; @12V max. 160 Ω; @24V max. 720 Ω |  |  |
| Short-circuit proof        | yes  |  |  |

# PT5401



## Pressure transmitter

PT-250-SEG14-A-ZVG/US/ IW

|  |   |                     |            |
|--|---|---------------------|------------|
| Overload protection  | yes   |                     |            |
| <b>Measuring/setting range</b>                                     |   |                     |            |
| Measuring range  | 0...250 bar   | 0...3625 psi        | 0...25 MPa |
| <b>Accuracy / deviations</b>                                       |   |                     |            |
| Repeatability [% of the span]                                      | < ± 0,05; (with temperature fluctuations < 10 K)  |                     |            |
| Characteristics deviation [% of the span]                          | < ± 0,5; (incl. drift when overtightened, zero point and span error, non-linearity, hysteresis) |                     |            |
| Linearity deviation [% of the span]                                | < ± 0,1 (BFSL) / < ± 0,2 (LS)   |                     |            |
| Hysteresis deviation [% of the span]                               | < ± 0,2   |                     |            |
| Long-term stability [% of the span]                                | < ± 0,1; (per 6 months)   |                     |            |
| Temperature coefficient zero point and span [% of the span / 10 K] | < 0,1 (-25...90 °C) / < 0,2 (-40...-25 °C)  |                     |            |
| <b>Reaction times</b>  |   |                     |            |
| Step response time analog output [ms]                              | 1   |                     |            |
| <b>Operating conditions</b>  |   |                     |            |
| Ambient temperature [°C]   | -40...90  |                     |            |
| Storage temperature [°C]   | -40...100   |                     |            |
| Protection   | IP 67; IP 69K   |                     |            |
| <b>Tests / approvals</b>   |   |                     |            |
| EMC  | DIN EN 61000-6-2  |                     |            |
|  | DIN EN 61000-6-3  |                     |            |
| Shock resistance   | DIN EN 60068-2-27   | 50 g (11 ms)        |            |
| Vibration resistance   | DIN EN 60068-2-6  | 20 g (10...2000 Hz) |            |
| MTTF [years]   | 686   |                     |            |
| Pressure equipment directive                                       | sound engineering practice; can be used for group 2 fluids; group 1 fluids on request           |                     |            |
| <b>Mechanical data</b>   |   |                     |            |
| Weight [g]   | 60  |                     |            |
| Housing  | tubular   |                     |            |
| Dimensions [mm]  | Ø 19 / L = 66   |                     |            |
| Material   | stainless steel (630/1.4542/17-4 PH); stainless steel (1.4404 / 316L); PEI                      |                     |            |
| Materials (wetted parts)   | stainless steel (630/1.4542/17-4 PH)  |                     |            |
| Min. pressure cycles   | 60 million; (at 1.2 times nominal pressure)   |                     |            |
| Tightening torque [Nm]   | 25...35; (recommended tightening torque; Depends on lubrication, seal and pressure rating)      |                     |            |
| Process connection   | threaded connection G 1/4 external thread (DIN EN ISO 1179-2)                                   |                     |            |
| Process connection sealing   | FKM (DIN EN ISO 1179-2)   |                     |            |
| Restrictor element integrated                                      | no (can be retrofitted)   |                     |            |
| <b>Remarks</b>   |   |                     |            |
| Remarks  | BFSL = Best Fit Straight Line<br>LS = limit value setting                                       |                     |            |

# PT5401



## Pressure transmitter

PT-250-SEG14-A-ZVG/US/ IW

Pack quantity

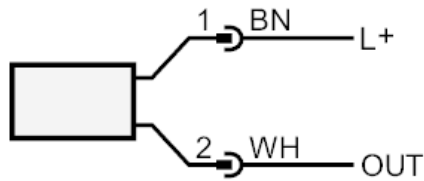
1 pcs.

### Electrical connection

Connector: 1 x M12; coding: A



### Connection



OUT

analog output

The following pin connection is available at article number PT53xx Pin 1: L+, Pin 3: OUT

Colors to DIN EN 60947-5-2

Core colors :

BN

brown

WH

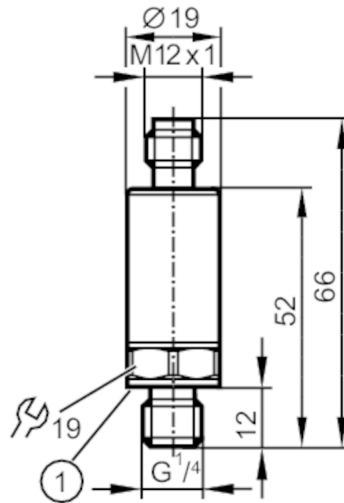
white

# PT5402



## Pressure transmitter

PT-100-SEG14-A-ZVG/US/ IW



1 sealing



### Product characteristics

|                              |   |              |            |
|------------------------------|---|--------------|------------|
| Number of inputs and outputs | Number of analog outputs: 1                                   |              |            |
| Measuring range              | 0...100 bar   | 0...1450 psi | 0...10 MPa |
| Process connection           | threaded connection G 1/4 external thread (DIN EN ISO 1179-2) |              |            |

### Application

|                         |                             |           |         |
|-------------------------|-----------------------------|-----------|---------|
| Application             | for industrial applications |           |         |
| Media                   | liquids and gases           |           |         |
| Medium temperature [°C] | -40...90                    |           |         |
| Min. burst pressure     | 1000 bar                    | 14500 psi | 100 MPa |
| Pressure rating         | 250 bar                     | 3625 psi  | 25 MPa  |
| Note on pressure rating | static                      |           |         |
| Vacuum resistance       | -1000 mbar                  | -0.1 MPa  |         |
| Type of pressure        | relative pressure           |           |         |

### Electrical data

|                                 |                 |  |  |
|---------------------------------|-----------------|--|--|
| Operating voltage [V]           | 8.5...36 DC     |  |  |
| Min. insulation resistance [MΩ] | 100; (500 V DC) |  |  |
| Protection class                | III             |  |  |
| Reverse polarity protection     | yes             |  |  |
| Power-on delay time [s]         | < 0.1           |  |  |

### Inputs / outputs

|                              |                             |  |  |
|------------------------------|-----------------------------|--|--|
| Number of inputs and outputs | Number of analog outputs: 1 |  |  |
|------------------------------|-----------------------------|--|--|

### Outputs

|                            |  |  |  |
|----------------------------|--|--|--|
| Total number of outputs    | 1  |  |  |
| Output signal              | analog signal  |  |  |
| Number of analog outputs   | 1  |  |  |
| Analog current output [mA] | 4...20   |  |  |
| Max. load [Ω]              | (U <sub>b</sub> – 8,5 V) / 21,5 mA; @8,5V= 0 Ω; @12V max. 160 Ω; @24V max. 720 Ω |  |  |
| Short-circuit proof        | yes  |  |  |

# PT5402



## Pressure transmitter

PT-100-SEG14-A-ZVG/US/ IW

|  |   |                     |            |
|--|---|---------------------|------------|
| Overload protection  | yes   |                     |            |
| <b>Measuring/setting range</b>                                     |   |                     |            |
| Measuring range  | 0...100 bar   | 0...1450 psi        | 0...10 MPa |
| <b>Accuracy / deviations</b>                                       |   |                     |            |
| Repeatability [% of the span]                                      | < ± 0,05; (with temperature fluctuations < 10 K)  |                     |            |
| Characteristics deviation [% of the span]                          | < ± 0,5; (incl. drift when overtightened, zero point and span error, non-linearity, hysteresis) |                     |            |
| Linearity deviation [% of the span]                                | < ± 0,1 (BFSL) / < ± 0,2 (LS)   |                     |            |
| Hysteresis deviation [% of the span]                               | < ± 0,2   |                     |            |
| Long-term stability [% of the span]                                | < ± 0,1; (per 6 months)   |                     |            |
| Temperature coefficient zero point and span [% of the span / 10 K] | < 0,1 (-25...90 °C) / < 0,2 (-40...-25 °C)  |                     |            |
| <b>Reaction times</b>  |   |                     |            |
| Step response time analog output [ms]                              | 1   |                     |            |
| <b>Operating conditions</b>  |   |                     |            |
| Ambient temperature [°C]   | -40...90  |                     |            |
| Storage temperature [°C]   | -40...100   |                     |            |
| Protection   | IP 67; IP 69K   |                     |            |
| <b>Tests / approvals</b>   |   |                     |            |
| EMC  | DIN EN 61000-6-2  |                     |            |
|  | DIN EN 61000-6-3  |                     |            |
| Shock resistance   | DIN EN 60068-2-27   | 50 g (11 ms)        |            |
| Vibration resistance   | DIN EN 60068-2-6  | 20 g (10...2000 Hz) |            |
| MTTF [years]   | 686   |                     |            |
| Pressure equipment directive                                       | sound engineering practice; can be used for group 2 fluids; group 1 fluids on request           |                     |            |
| <b>Mechanical data</b>   |   |                     |            |
| Weight [g]   | 59  |                     |            |
| Housing  | tubular   |                     |            |
| Dimensions [mm]  | Ø 19 / L = 66   |                     |            |
| Material   | stainless steel (630/1.4542/17-4 PH); stainless steel (1.4404 / 316L); PEI                      |                     |            |
| Materials (wetted parts)   | stainless steel (630/1.4542/17-4 PH)  |                     |            |
| Min. pressure cycles   | 60 million; (at 1.2 times nominal pressure)   |                     |            |
| Tightening torque [Nm]   | 25...35; (recommended tightening torque; Depends on lubrication, seal and pressure rating)      |                     |            |
| Process connection   | threaded connection G 1/4 external thread (DIN EN ISO 1179-2)                                   |                     |            |
| Process connection sealing   | FKM (DIN EN ISO 1179-2)   |                     |            |
| Restrictor element integrated                                      | no (can be retrofitted)   |                     |            |
| <b>Remarks</b>   |   |                     |            |
| Remarks  | BFSL = Best Fit Straight Line<br>LS = limit value setting                                       |                     |            |

# PT5402



## Pressure transmitter

PT-100-SEG14-A-ZVG/US/ IW

Pack quantity

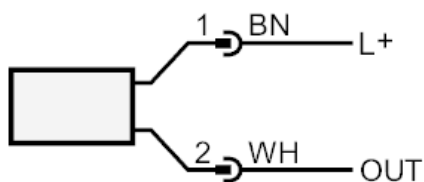
1 pcs.

### Electrical connection

Connector: 1 x M12; coding: A



### Connection



OUT

analog output

The following pin connection is available at article number PT53xx Pin 1: L+, Pin 3: OUT

Colors to DIN EN 60947-5-2

Core colors :

BN

brown

WH

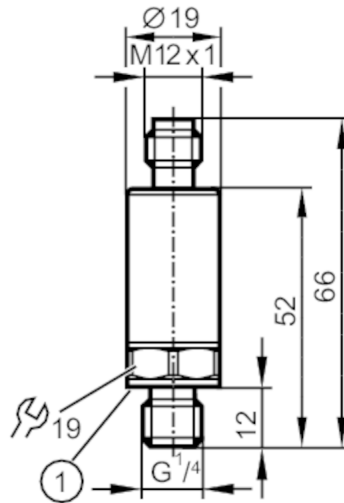
white

# PT5402



## Pressure transmitter

PT-100-SEG14-A-ZVG/US/ IW



1 sealing



### Product characteristics

|                              |   |              |            |
|------------------------------|---|--------------|------------|
| Number of inputs and outputs | Number of analog outputs: 1                                   |              |            |
| Measuring range              | 0...100 bar   | 0...1450 psi | 0...10 MPa |
| Process connection           | threaded connection G 1/4 external thread (DIN EN ISO 1179-2) |              |            |

### Application

|                         |                             |           |         |
|-------------------------|-----------------------------|-----------|---------|
| Application             | for industrial applications |           |         |
| Media                   | liquids and gases           |           |         |
| Medium temperature [°C] | -40...90                    |           |         |
| Min. burst pressure     | 1000 bar                    | 14500 psi | 100 MPa |
| Pressure rating         | 250 bar                     | 3625 psi  | 25 MPa  |
| Note on pressure rating | static                      |           |         |
| Vacuum resistance       | -1000 mbar                  | -0.1 MPa  |         |
| Type of pressure        | relative pressure           |           |         |

### Electrical data

|                                 |                 |  |  |
|---------------------------------|-----------------|--|--|
| Operating voltage [V]           | 8.5...36 DC     |  |  |
| Min. insulation resistance [MΩ] | 100; (500 V DC) |  |  |
| Protection class                | III             |  |  |
| Reverse polarity protection     | yes             |  |  |
| Power-on delay time [s]         | < 0.1           |  |  |

### Inputs / outputs

|                              |                             |  |  |
|------------------------------|-----------------------------|--|--|
| Number of inputs and outputs | Number of analog outputs: 1 |  |  |
|------------------------------|-----------------------------|--|--|

### Outputs

|                            |  |  |  |
|----------------------------|--|--|--|
| Total number of outputs    | 1  |  |  |
| Output signal              | analog signal  |  |  |
| Number of analog outputs   | 1  |  |  |
| Analog current output [mA] | 4...20   |  |  |
| Max. load [Ω]              | (U <sub>b</sub> – 8,5 V) / 21,5 mA; @8,5V= 0 Ω; @12V max. 160 Ω; @24V max. 720 Ω |  |  |
| Short-circuit proof        | yes  |  |  |

# PT5402



## Pressure transmitter

PT-100-SEG14-A-ZVG/US/ IW

|  |   |                     |            |
|--|---|---------------------|------------|
| Overload protection  | yes   |                     |            |
| <b>Measuring/setting range</b>                                     |   |                     |            |
| Measuring range  | 0...100 bar   | 0...1450 psi        | 0...10 MPa |
| <b>Accuracy / deviations</b>                                       |   |                     |            |
| Repeatability [% of the span]                                      | < ± 0,05; (with temperature fluctuations < 10 K)  |                     |            |
| Characteristics deviation [% of the span]                          | < ± 0,5; (incl. drift when overtightened, zero point and span error, non-linearity, hysteresis) |                     |            |
| Linearity deviation [% of the span]                                | < ± 0,1 (BFSL) / < ± 0,2 (LS)   |                     |            |
| Hysteresis deviation [% of the span]                               | < ± 0,2   |                     |            |
| Long-term stability [% of the span]                                | < ± 0,1; (per 6 months)   |                     |            |
| Temperature coefficient zero point and span [% of the span / 10 K] | < 0,1 (-25...90 °C) / < 0,2 (-40...-25 °C)  |                     |            |
| <b>Reaction times</b>  |   |                     |            |
| Step response time analog output [ms]                              | 1   |                     |            |
| <b>Operating conditions</b>  |   |                     |            |
| Ambient temperature [°C]   | -40...90  |                     |            |
| Storage temperature [°C]   | -40...100   |                     |            |
| Protection   | IP 67; IP 69K   |                     |            |
| <b>Tests / approvals</b>   |   |                     |            |
| EMC  | DIN EN 61000-6-2  |                     |            |
|  | DIN EN 61000-6-3  |                     |            |
| Shock resistance   | DIN EN 60068-2-27   | 50 g (11 ms)        |            |
| Vibration resistance   | DIN EN 60068-2-6  | 20 g (10...2000 Hz) |            |
| MTTF [years]   | 686   |                     |            |
| Pressure equipment directive                                       | sound engineering practice; can be used for group 2 fluids; group 1 fluids on request           |                     |            |
| <b>Mechanical data</b>   |   |                     |            |
| Weight [g]   | 59  |                     |            |
| Housing  | tubular   |                     |            |
| Dimensions [mm]  | Ø 19 / L = 66   |                     |            |
| Material   | stainless steel (630/1.4542/17-4 PH); stainless steel (1.4404 / 316L); PEI                      |                     |            |
| Materials (wetted parts)   | stainless steel (630/1.4542/17-4 PH)  |                     |            |
| Min. pressure cycles   | 60 million; (at 1.2 times nominal pressure)   |                     |            |
| Tightening torque [Nm]   | 25...35; (recommended tightening torque; Depends on lubrication, seal and pressure rating)      |                     |            |
| Process connection   | threaded connection G 1/4 external thread (DIN EN ISO 1179-2)                                   |                     |            |
| Process connection sealing   | FKM (DIN EN ISO 1179-2)   |                     |            |
| Restrictor element integrated                                      | no (can be retrofitted)   |                     |            |
| <b>Remarks</b>   |   |                     |            |
| Remarks  | BFSL = Best Fit Straight Line<br>LS = limit value setting                                       |                     |            |

# PT5402



## Pressure transmitter

PT-100-SEG14-A-ZVG/US/ IW

Pack quantity

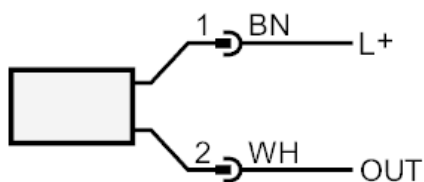
1 pcs.

### Electrical connection

Connector: 1 x M12; coding: A



### Connection



OUT

analog output

The following pin connection is available at article number PT53xx Pin 1: L+, Pin 3: OUT

Colors to DIN EN 60947-5-2

Core colors :

BN

brown

WH

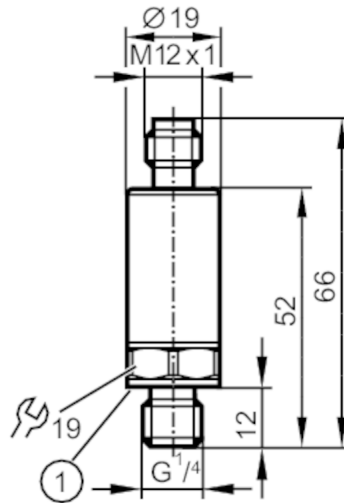
white

# PT5403



## Pressure transmitter

PT-025-SEG14-A-ZVG/US/ IW



1 sealing



### Product characteristics

|                              |   |             |             |
|------------------------------|---|-------------|-------------|
| Number of inputs and outputs | Number of analog outputs: 1                                   |             |             |
| Measuring range              | 0...25 bar  | 0...360 psi | 0...2.5 MPa |
| Process connection           | threaded connection G 1/4 external thread (DIN EN ISO 1179-2) |             |             |

### Application

|                         |                             |          |         |
|-------------------------|-----------------------------|----------|---------|
| Application             | for industrial applications |          |         |
| Media                   | liquids and gases           |          |         |
| Medium temperature [°C] | -40...90                    |          |         |
| Min. burst pressure     | 600 bar                     | 8700 psi | 60 MPa  |
| Pressure rating         | 65 bar                      | 940 psi  | 6.5 MPa |
| Note on pressure rating | static                      |          |         |
| Vacuum resistance       | -1000 mbar                  | -0.1 MPa |         |
| Type of pressure        | relative pressure           |          |         |

### Electrical data

|                                 |                 |  |  |
|---------------------------------|-----------------|--|--|
| Operating voltage [V]           | 8.5...36 DC     |  |  |
| Min. insulation resistance [MΩ] | 100; (500 V DC) |  |  |
| Protection class                | III             |  |  |
| Reverse polarity protection     | yes             |  |  |
| Power-on delay time [s]         | < 0.1           |  |  |

### Inputs / outputs

|                              |                             |  |  |
|------------------------------|-----------------------------|--|--|
| Number of inputs and outputs | Number of analog outputs: 1 |  |  |
|------------------------------|-----------------------------|--|--|

### Outputs

|                            |  |  |  |
|----------------------------|--|--|--|
| Total number of outputs    | 1  |  |  |
| Output signal              | analog signal  |  |  |
| Number of analog outputs   | 1  |  |  |
| Analog current output [mA] | 4...20   |  |  |
| Max. load [Ω]              | (U <sub>b</sub> – 8,5 V) / 21,5 mA; @8,5V= 0 Ω; @12V max. 160 Ω; @24V max. 720 Ω |  |  |
| Short-circuit proof        | yes  |  |  |

# PT5403



## Pressure transmitter

PT-025-SEG14-A-ZVG/US/ IW

|  |   |                     |             |
|--|---|---------------------|-------------|
| Overload protection  | yes   |                     |             |
| <b>Measuring/setting range</b>                                     |   |                     |             |
| Measuring range  | 0...25 bar  | 0...360 psi         | 0...2.5 MPa |
| <b>Accuracy / deviations</b>                                       |   |                     |             |
| Repeatability [% of the span]                                      | < ± 0,05; (with temperature fluctuations < 10 K)  |                     |             |
| Characteristics deviation [% of the span]                          | < ± 0,5; (incl. drift when overtightened, zero point and span error, non-linearity, hysteresis) |                     |             |
| Linearity deviation [% of the span]                                | < ± 0,1 (BFSL) / < ± 0,2 (LS)   |                     |             |
| Hysteresis deviation [% of the span]                               | < ± 0,2   |                     |             |
| Long-term stability [% of the span]                                | < ± 0,1; (per 6 months)   |                     |             |
| Temperature coefficient zero point and span [% of the span / 10 K] | < 0,1 (-25...90 °C) / < 0,2 (-40...-25 °C)  |                     |             |
| <b>Reaction times</b>  |   |                     |             |
| Step response time analog output [ms]                              | 1   |                     |             |
| <b>Operating conditions</b>  |   |                     |             |
| Ambient temperature [°C]   | -40...90  |                     |             |
| Storage temperature [°C]   | -40...100   |                     |             |
| Protection   | IP 67; IP 69K   |                     |             |
| <b>Tests / approvals</b>   |   |                     |             |
| EMC  | DIN EN 61000-6-2  |                     |             |
|  | DIN EN 61000-6-3  |                     |             |
| Shock resistance   | DIN EN 60068-2-27   | 50 g (11 ms)        |             |
| Vibration resistance   | DIN EN 60068-2-6  | 20 g (10...2000 Hz) |             |
| MTTF [years]   | 686   |                     |             |
| Pressure equipment directive                                       | sound engineering practice; can be used for group 2 fluids; group 1 fluids on request           |                     |             |
| <b>Mechanical data</b>   |   |                     |             |
| Weight [g]   | 59  |                     |             |
| Housing  | tubular   |                     |             |
| Dimensions [mm]  | Ø 19 / L = 66   |                     |             |
| Material   | stainless steel (630/1.4542/17-4 PH); stainless steel (1.4404 / 316L); PEI                      |                     |             |
| Materials (wetted parts)   | stainless steel (630/1.4542/17-4 PH)  |                     |             |
| Min. pressure cycles   | 60 million; (at 1.2 times nominal pressure)   |                     |             |
| Tightening torque [Nm]   | 25...35; (recommended tightening torque; Depends on lubrication, seal and pressure rating)      |                     |             |
| Process connection   | threaded connection G 1/4 external thread (DIN EN ISO 1179-2)                                   |                     |             |
| Process connection sealing   | FKM (DIN EN ISO 1179-2)   |                     |             |
| Restrictor element integrated                                      | no (can be retrofitted)   |                     |             |
| <b>Remarks</b>   |   |                     |             |
| Remarks  | BFSL = Best Fit Straight Line<br>LS = limit value setting                                       |                     |             |

# PT5403



## Pressure transmitter

PT-025-SEG14-A-ZVG/US/ IW

Pack quantity

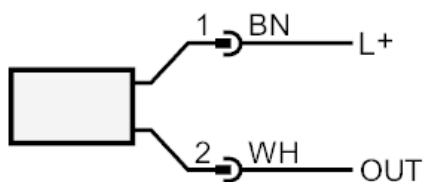
1 pcs.

### Electrical connection

Connector: 1 x M12; coding: A



### Connection



OUT

analog output

The following pin connection is available at article number PT53xx Pin 1: L+, Pin 3: OUT

Colors to DIN EN 60947-5-2

Core colors :

BN

brown

WH

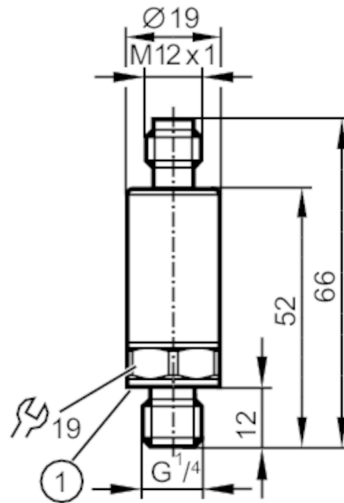
white

# PT5403



## Pressure transmitter

PT-025-SEG14-A-ZVG/US/ IW



1 sealing



### Product characteristics

|                              |   |             |             |
|------------------------------|---|-------------|-------------|
| Number of inputs and outputs | Number of analog outputs: 1                                   |             |             |
| Measuring range              | 0...25 bar  | 0...360 psi | 0...2.5 MPa |
| Process connection           | threaded connection G 1/4 external thread (DIN EN ISO 1179-2) |             |             |

### Application

|                         |                             |          |         |
|-------------------------|-----------------------------|----------|---------|
| Application             | for industrial applications |          |         |
| Media                   | liquids and gases           |          |         |
| Medium temperature [°C] | -40...90                    |          |         |
| Min. burst pressure     | 600 bar                     | 8700 psi | 60 MPa  |
| Pressure rating         | 65 bar                      | 940 psi  | 6.5 MPa |
| Note on pressure rating | static                      |          |         |
| Vacuum resistance       | -1000 mbar                  | -0.1 MPa |         |
| Type of pressure        | relative pressure           |          |         |

### Electrical data

|                                 |                 |  |  |
|---------------------------------|-----------------|--|--|
| Operating voltage [V]           | 8.5...36 DC     |  |  |
| Min. insulation resistance [MΩ] | 100; (500 V DC) |  |  |
| Protection class                | III             |  |  |
| Reverse polarity protection     | yes             |  |  |
| Power-on delay time [s]         | < 0.1           |  |  |

### Inputs / outputs

|                              |                             |  |  |
|------------------------------|-----------------------------|--|--|
| Number of inputs and outputs | Number of analog outputs: 1 |  |  |
|------------------------------|-----------------------------|--|--|

### Outputs

|                            |  |  |  |
|----------------------------|--|--|--|
| Total number of outputs    | 1  |  |  |
| Output signal              | analog signal  |  |  |
| Number of analog outputs   | 1  |  |  |
| Analog current output [mA] | 4...20   |  |  |
| Max. load [Ω]              | (U <sub>b</sub> – 8,5 V) / 21,5 mA; @8,5V= 0 Ω; @12V max. 160 Ω; @24V max. 720 Ω |  |  |
| Short-circuit proof        | yes  |  |  |

# PT5403



## Pressure transmitter

PT-025-SEG14-A-ZVG/US/ IW

|  |   |                     |             |
|--|---|---------------------|-------------|
| Overload protection  | yes   |                     |             |
| <b>Measuring/setting range</b>                                     |   |                     |             |
| Measuring range  | 0...25 bar  | 0...360 psi         | 0...2.5 MPa |
| <b>Accuracy / deviations</b>                                       |   |                     |             |
| Repeatability [% of the span]                                      | < ± 0,05; (with temperature fluctuations < 10 K)  |                     |             |
| Characteristics deviation [% of the span]                          | < ± 0,5; (incl. drift when overtightened, zero point and span error, non-linearity, hysteresis) |                     |             |
| Linearity deviation [% of the span]                                | < ± 0,1 (BFSL) / < ± 0,2 (LS)   |                     |             |
| Hysteresis deviation [% of the span]                               | < ± 0,2   |                     |             |
| Long-term stability [% of the span]                                | < ± 0,1; (per 6 months)   |                     |             |
| Temperature coefficient zero point and span [% of the span / 10 K] | < 0,1 (-25...90 °C) / < 0,2 (-40...-25 °C)  |                     |             |
| <b>Reaction times</b>  |   |                     |             |
| Step response time analog output [ms]                              | 1   |                     |             |
| <b>Operating conditions</b>  |   |                     |             |
| Ambient temperature [°C]   | -40...90  |                     |             |
| Storage temperature [°C]   | -40...100   |                     |             |
| Protection   | IP 67; IP 69K   |                     |             |
| <b>Tests / approvals</b>   |   |                     |             |
| EMC  | DIN EN 61000-6-2  |                     |             |
|  | DIN EN 61000-6-3  |                     |             |
| Shock resistance   | DIN EN 60068-2-27   | 50 g (11 ms)        |             |
| Vibration resistance   | DIN EN 60068-2-6  | 20 g (10...2000 Hz) |             |
| MTTF [years]   | 686   |                     |             |
| Pressure equipment directive                                       | sound engineering practice; can be used for group 2 fluids; group 1 fluids on request           |                     |             |
| <b>Mechanical data</b>   |   |                     |             |
| Weight [g]   | 59  |                     |             |
| Housing  | tubular   |                     |             |
| Dimensions [mm]  | Ø 19 / L = 66   |                     |             |
| Material   | stainless steel (630/1.4542/17-4 PH); stainless steel (1.4404 / 316L); PEI                      |                     |             |
| Materials (wetted parts)   | stainless steel (630/1.4542/17-4 PH)  |                     |             |
| Min. pressure cycles   | 60 million; (at 1.2 times nominal pressure)   |                     |             |
| Tightening torque [Nm]   | 25...35; (recommended tightening torque; Depends on lubrication, seal and pressure rating)      |                     |             |
| Process connection   | threaded connection G 1/4 external thread (DIN EN ISO 1179-2)                                   |                     |             |
| Process connection sealing   | FKM (DIN EN ISO 1179-2)   |                     |             |
| Restrictor element integrated                                      | no (can be retrofitted)   |                     |             |
| <b>Remarks</b>   |   |                     |             |
| Remarks  | BFSL = Best Fit Straight Line<br>LS = limit value setting                                       |                     |             |

# PT5403



## Pressure transmitter

PT-025-SEG14-A-ZVG/US/ IW

Pack quantity

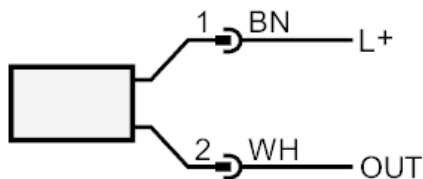
1 pcs.

### Electrical connection

Connector: 1 x M12; coding: A



### Connection



OUT

analog output

The following pin connection is available at article number PT53xx Pin 1: L+, Pin 3: OUT

Colors to DIN EN 60947-5-2

Core colors :

BN

brown

WH

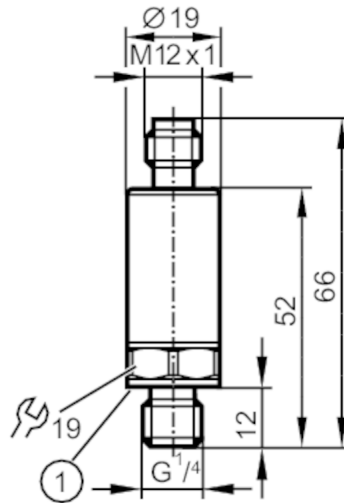
white

# PT5404



## Pressure transmitter

PT-010-SEG14-A-ZVG/US/ IW



1 sealing



### Product characteristics

|                              |   |             |              |           |
|------------------------------|---|-------------|--------------|-----------|
| Number of inputs and outputs | Number of analog outputs: 1                                   |             |              |           |
| Measuring range              | 0...10 bar  | 0...145 psi | 0...1000 kPa | 0...1 MPa |
| Process connection           | threaded connection G 1/4 external thread (DIN EN ISO 1179-2) |             |              |           |

### Application

|                         |                             |          |         |
|-------------------------|-----------------------------|----------|---------|
| Application             | for industrial applications |          |         |
| Media                   | liquids and gases           |          |         |
| Medium temperature [°C] | -40...90                    |          |         |
| Min. burst pressure     | 300 bar                     | 4350 psi | 30 MPa  |
| Pressure rating         | 25 bar                      | 360 psi  | 2.5 MPa |
| Note on pressure rating | static                      |          |         |
| Vacuum resistance       | -1000 mbar                  | -0.1 MPa |         |
| Type of pressure        | relative pressure           |          |         |

### Electrical data

|                                 |                 |
|---------------------------------|-----------------|
| Operating voltage [V]           | 8.5...36 DC     |
| Min. insulation resistance [MΩ] | 100; (500 V DC) |
| Protection class                | III             |
| Reverse polarity protection     | yes             |
| Power-on delay time [s]         | < 0.1           |

### Inputs / outputs

|                              |                             |
|------------------------------|-----------------------------|
| Number of inputs and outputs | Number of analog outputs: 1 |
|------------------------------|-----------------------------|

### Outputs

|                            |   |
|----------------------------|---|
| Total number of outputs    | 1   |
| Output signal              | analog signal   |
| Number of analog outputs   | 1   |
| Analog current output [mA] | 4...20  |
| Max. load [Ω]              | ( $U_b - 8,5 V$ ) / 21,5 mA; @8,5V= 0 Ω; @12V max. 160 Ω; @24V max. 720 Ω |
| Short-circuit proof        | yes   |

# PT5404



## Pressure transmitter

PT-010-SEG14-A-ZVG/US/ IW

|  |   |             |                     |           |
|--|---|-------------|---------------------|-----------|
| Overload protection  | yes   |             |                     |           |
| <b>Measuring/setting range</b>                                     |   |             |                     |           |
| Measuring range  | 0...10 bar  | 0...145 psi | 0...1000 kPa        | 0...1 MPa |
| <b>Accuracy / deviations</b>                                       |   |             |                     |           |
| Repeatability [% of the span]                                      | < ± 0,05; (with temperature fluctuations < 10 K)  |             |                     |           |
| Characteristics deviation [% of the span]                          | < ± 0,5; (incl. drift when overtightened, zero point and span error, non-linearity, hysteresis) |             |                     |           |
| Linearity deviation [% of the span]                                | < ± 0,1 (BFSL) / < ± 0,2 (LS)   |             |                     |           |
| Hysteresis deviation [% of the span]                               | < ± 0,2   |             |                     |           |
| Long-term stability [% of the span]                                | < ± 0,1; (per 6 months)   |             |                     |           |
| Temperature coefficient zero point and span [% of the span / 10 K] | < 0,1 (-25...90 °C) / < 0,2 (-40...-25 °C)  |             |                     |           |
| <b>Reaction times</b>  |   |             |                     |           |
| Step response time analog output [ms]                              | 1   |             |                     |           |
| <b>Operating conditions</b>  |   |             |                     |           |
| Ambient temperature [°C]   | -40...90  |             |                     |           |
| Storage temperature [°C]   | -40...100   |             |                     |           |
| Protection   | IP 67; IP 69K   |             |                     |           |
| <b>Tests / approvals</b>   |   |             |                     |           |
| EMC  | DIN EN 61000-6-2  |             |                     |           |
|  | DIN EN 61000-6-3  |             |                     |           |
| Shock resistance   | DIN EN 60068-2-27   |             | 50 g (11 ms)        |           |
| Vibration resistance   | DIN EN 60068-2-6  |             | 20 g (10...2000 Hz) |           |
| MTTF [years]   | 686   |             |                     |           |
| Pressure equipment directive                                       | sound engineering practice; can be used for group 2 fluids; group 1 fluids on request           |             |                     |           |
| <b>Mechanical data</b>   |   |             |                     |           |
| Weight [g]   | 59  |             |                     |           |
| Housing  | tubular   |             |                     |           |
| Dimensions [mm]  | Ø 19 / L = 66   |             |                     |           |
| Material   | stainless steel (630/1.4542/17-4 PH); stainless steel (1.4404 / 316L); PEI                      |             |                     |           |
| Materials (wetted parts)   | stainless steel (630/1.4542/17-4 PH)  |             |                     |           |
| Min. pressure cycles   | 60 million; (at 1.2 times nominal pressure)   |             |                     |           |
| Tightening torque [Nm]   | 25...35; (recommended tightening torque; Depends on lubrication, seal and pressure rating)      |             |                     |           |
| Process connection   | threaded connection G 1/4 external thread (DIN EN ISO 1179-2)                                   |             |                     |           |
| Process connection sealing   | FKM (DIN EN ISO 1179-2)   |             |                     |           |
| Restrictor element integrated                                      | no (can be retrofitted)   |             |                     |           |
| <b>Remarks</b>   |   |             |                     |           |
| Remarks  | BFSL = Best Fit Straight Line<br>LS = limit value setting                                       |             |                     |           |

# PT5404



## Pressure transmitter

PT-010-SEG14-A-ZVG/US/ IW

Pack quantity

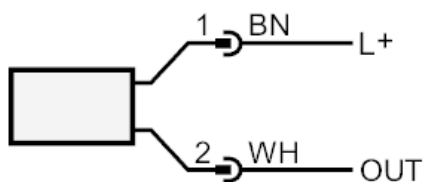
1 pcs.

### Electrical connection

Connector: 1 x M12; coding: A



### Connection



OUT

analog output

The following pin connection is available at article number PT53xx Pin 1: L+, Pin 3: OUT

Colors to DIN EN 60947-5-2

Core colors :

BN

brown

WH

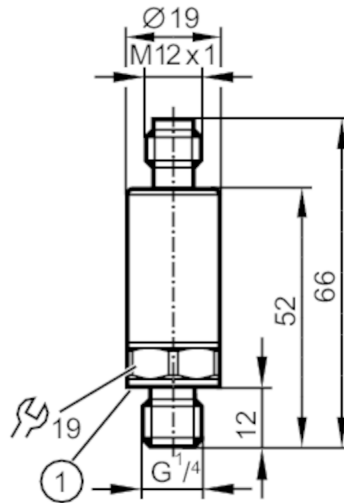
white

# PT5404



## Pressure transmitter

PT-010-SEG14-A-ZVG/US/ IW



1 sealing



### Product characteristics

|                              |   |             |              |           |
|------------------------------|---|-------------|--------------|-----------|
| Number of inputs and outputs | Number of analog outputs: 1                                   |             |              |           |
| Measuring range              | 0...10 bar  | 0...145 psi | 0...1000 kPa | 0...1 MPa |
| Process connection           | threaded connection G 1/4 external thread (DIN EN ISO 1179-2) |             |              |           |

### Application

|                         |                             |          |         |
|-------------------------|-----------------------------|----------|---------|
| Application             | for industrial applications |          |         |
| Media                   | liquids and gases           |          |         |
| Medium temperature [°C] | -40...90                    |          |         |
| Min. burst pressure     | 300 bar                     | 4350 psi | 30 MPa  |
| Pressure rating         | 25 bar                      | 360 psi  | 2.5 MPa |
| Note on pressure rating | static                      |          |         |
| Vacuum resistance       | -1000 mbar                  | -0.1 MPa |         |
| Type of pressure        | relative pressure           |          |         |

### Electrical data

|                                 |                 |
|---------------------------------|-----------------|
| Operating voltage [V]           | 8.5...36 DC     |
| Min. insulation resistance [MΩ] | 100; (500 V DC) |
| Protection class                | III             |
| Reverse polarity protection     | yes             |
| Power-on delay time [s]         | < 0.1           |

### Inputs / outputs

|                              |                             |
|------------------------------|-----------------------------|
| Number of inputs and outputs | Number of analog outputs: 1 |
|------------------------------|-----------------------------|

### Outputs

|                            |   |
|----------------------------|---|
| Total number of outputs    | 1   |
| Output signal              | analog signal   |
| Number of analog outputs   | 1   |
| Analog current output [mA] | 4...20  |
| Max. load [Ω]              | ( $U_b - 8,5 \text{ V}$ ) / 21,5 mA; @8,5V= 0 Ω; @12V max. 160 Ω; @24V max. 720 Ω |
| Short-circuit proof        | yes   |

# PT5404



## Pressure transmitter

PT-010-SEG14-A-ZVG/US/ IW

|  |   |             |                     |           |
|--|---|-------------|---------------------|-----------|
| Overload protection  | yes   |             |                     |           |
| <b>Measuring/setting range</b>                                     |   |             |                     |           |
| Measuring range  | 0...10 bar  | 0...145 psi | 0...1000 kPa        | 0...1 MPa |
| <b>Accuracy / deviations</b>                                       |   |             |                     |           |
| Repeatability [% of the span]                                      | < ± 0,05; (with temperature fluctuations < 10 K)  |             |                     |           |
| Characteristics deviation [% of the span]                          | < ± 0,5; (incl. drift when overtightened, zero point and span error, non-linearity, hysteresis) |             |                     |           |
| Linearity deviation [% of the span]                                | < ± 0,1 (BFSL) / < ± 0,2 (LS)   |             |                     |           |
| Hysteresis deviation [% of the span]                               | < ± 0,2   |             |                     |           |
| Long-term stability [% of the span]                                | < ± 0,1; (per 6 months)   |             |                     |           |
| Temperature coefficient zero point and span [% of the span / 10 K] | < 0,1 (-25...90 °C) / < 0,2 (-40...-25 °C)  |             |                     |           |
| <b>Reaction times</b>  |   |             |                     |           |
| Step response time analog output [ms]                              | 1   |             |                     |           |
| <b>Operating conditions</b>  |   |             |                     |           |
| Ambient temperature [°C]   | -40...90  |             |                     |           |
| Storage temperature [°C]   | -40...100   |             |                     |           |
| Protection   | IP 67; IP 69K   |             |                     |           |
| <b>Tests / approvals</b>   |   |             |                     |           |
| EMC  | DIN EN 61000-6-2  |             |                     |           |
|  | DIN EN 61000-6-3  |             |                     |           |
| Shock resistance   | DIN EN 60068-2-27   |             | 50 g (11 ms)        |           |
| Vibration resistance   | DIN EN 60068-2-6  |             | 20 g (10...2000 Hz) |           |
| MTTF [years]   | 686   |             |                     |           |
| Pressure equipment directive                                       | sound engineering practice; can be used for group 2 fluids; group 1 fluids on request           |             |                     |           |
| <b>Mechanical data</b>   |   |             |                     |           |
| Weight [g]   | 59  |             |                     |           |
| Housing  | tubular   |             |                     |           |
| Dimensions [mm]  | Ø 19 / L = 66   |             |                     |           |
| Material   | stainless steel (630/1.4542/17-4 PH); stainless steel (1.4404 / 316L); PEI                      |             |                     |           |
| Materials (wetted parts)   | stainless steel (630/1.4542/17-4 PH)  |             |                     |           |
| Min. pressure cycles   | 60 million; (at 1.2 times nominal pressure)   |             |                     |           |
| Tightening torque [Nm]   | 25...35; (recommended tightening torque; Depends on lubrication, seal and pressure rating)      |             |                     |           |
| Process connection   | threaded connection G 1/4 external thread (DIN EN ISO 1179-2)                                   |             |                     |           |
| Process connection sealing   | FKM (DIN EN ISO 1179-2)   |             |                     |           |
| Restrictor element integrated                                      | no (can be retrofitted)   |             |                     |           |
| <b>Remarks</b>   |   |             |                     |           |
| Remarks  | BFSL = Best Fit Straight Line<br>LS = limit value setting                                       |             |                     |           |

# PT5404



## Pressure transmitter

PT-010-SEG14-A-ZVG/US/ IW

Pack quantity

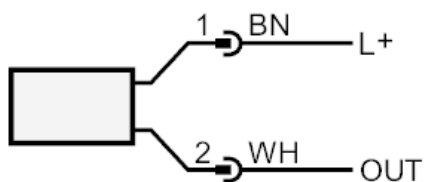
1 pcs.

### Electrical connection

Connector: 1 x M12; coding: A



### Connection



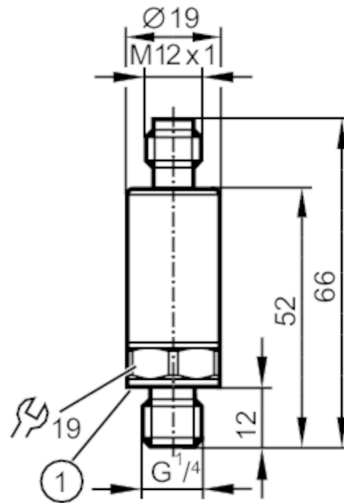
|     |  |
|-----|--|
| OUT | analog output<br>The following pin connection is available at article number PT53xx Pin 1: L+, Pin 3: OUT<br>Colors to DIN EN 60947-5-2<br>Core colors : |
| BN  | brown  |
| WH  | white  |

# PT5412



## Pressure transmitter

PT-160-SEG14-A-ZVG/US/ IW



1 sealing



### Product characteristics

|                              |   |              |            |
|------------------------------|---|--------------|------------|
| Number of inputs and outputs | Number of analog outputs: 1                                   |              |            |
| Measuring range              | 0...160 bar   | 0...2320 psi | 0...16 MPa |
| Process connection           | threaded connection G 1/4 external thread (DIN EN ISO 1179-2) |              |            |

### Application

|                         |                             |           |         |
|-------------------------|-----------------------------|-----------|---------|
| Application             | for industrial applications |           |         |
| Media                   | liquids and gases           |           |         |
| Medium temperature [°C] | -40...90                    |           |         |
| Min. burst pressure     | 1100 bar                    | 15950 psi | 110 MPa |
| Pressure rating         | 400 bar                     | 5800 psi  | 40 MPa  |
| Note on pressure rating | static                      |           |         |
| Vacuum resistance       | -1000 mbar                  | -0.1 MPa  |         |
| Type of pressure        | relative pressure           |           |         |

### Electrical data

|                                 |                 |  |  |
|---------------------------------|-----------------|--|--|
| Operating voltage [V]           | 8.5...36 DC     |  |  |
| Min. insulation resistance [MΩ] | 100; (500 V DC) |  |  |
| Protection class                | III             |  |  |
| Reverse polarity protection     | yes             |  |  |
| Power-on delay time [s]         | < 0.1           |  |  |

### Inputs / outputs

|                              |                             |  |  |
|------------------------------|-----------------------------|--|--|
| Number of inputs and outputs | Number of analog outputs: 1 |  |  |
|------------------------------|-----------------------------|--|--|

### Outputs

|                            |  |  |  |
|----------------------------|--|--|--|
| Total number of outputs    | 1  |  |  |
| Output signal              | analog signal  |  |  |
| Number of analog outputs   | 1  |  |  |
| Analog current output [mA] | 4...20   |  |  |
| Max. load [Ω]              | (U <sub>b</sub> – 8,5 V) / 21,5 mA; @8,5V= 0 Ω; @12V max. 160 Ω; @24V max. 720 Ω |  |  |
| Short-circuit proof        | yes  |  |  |

# PT5412



## Pressure transmitter

PT-160-SEG14-A-ZVG/US/ IW

|  |   |                     |            |
|--|---|---------------------|------------|
| Overload protection  | yes   |                     |            |
| <b>Measuring/setting range</b>                                     |   |                     |            |
| Measuring range  | 0...160 bar   | 0...2320 psi        | 0...16 MPa |
| <b>Accuracy / deviations</b>                                       |   |                     |            |
| Repeatability [% of the span]                                      | < ± 0,05; (with temperature fluctuations < 10 K)  |                     |            |
| Characteristics deviation [% of the span]                          | < ± 0,5; (incl. drift when overtightened, zero point and span error, non-linearity, hysteresis) |                     |            |
| Linearity deviation [% of the span]                                | < ± 0,1 (BFSL) / < ± 0,2 (LS)   |                     |            |
| Hysteresis deviation [% of the span]                               | < ± 0,2   |                     |            |
| Long-term stability [% of the span]                                | < ± 0,1; (per 6 months)   |                     |            |
| Temperature coefficient zero point and span [% of the span / 10 K] | < 0,1 (-25...90 °C) / < 0,2 (-40...-25 °C)  |                     |            |
| <b>Reaction times</b>  |   |                     |            |
| Step response time analog output [ms]                              | 1   |                     |            |
| <b>Operating conditions</b>  |   |                     |            |
| Ambient temperature [°C]   | -40...90  |                     |            |
| Storage temperature [°C]   | -40...100   |                     |            |
| Protection   | IP 67; IP 69K   |                     |            |
| <b>Tests / approvals</b>   |   |                     |            |
| EMC  | DIN EN 61000-6-2  |                     |            |
|  | DIN EN 61000-6-3  |                     |            |
| Shock resistance   | DIN EN 60068-2-27   | 50 g (11 ms)        |            |
| Vibration resistance   | DIN EN 60068-2-6  | 20 g (10...2000 Hz) |            |
| MTTF [years]   | 787   |                     |            |
| UL approval  | UL approval number  | J026                |            |
|  | File number UL  | E174189             |            |
| Pressure equipment directive                                       | sound engineering practice; can be used for group 2 fluids; group 1 fluids on request           |                     |            |
| <b>Mechanical data</b>   |   |                     |            |
| Weight [g]   | 60  |                     |            |
| Housing  | tubular   |                     |            |
| Dimensions [mm]  | Ø 19 / L = 66   |                     |            |
| Material   | stainless steel (630/1.4542/17-4 PH); stainless steel (1.4404 / 316L); PEI                      |                     |            |
| Materials (wetted parts)   | stainless steel (630/1.4542/17-4 PH)  |                     |            |
| Min. pressure cycles   | 60 million; (at 1.2 times nominal pressure)   |                     |            |
| Tightening torque [Nm]   | 25...35; (recommended tightening torque; Depends on lubrication, seal and pressure rating)      |                     |            |
| Process connection   | threaded connection G 1/4 external thread (DIN EN ISO 1179-2)                                   |                     |            |
| Process connection sealing   | FKM (DIN EN ISO 1179-2)   |                     |            |
| Restrictor element integrated                                      | no (can be retrofitted)   |                     |            |

# PT5412



## Pressure transmitter

PT-160-SEG14-A-ZVG/US/ IW

### Remarks

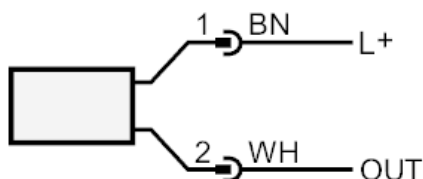
|               |   |
|---------------|---|
| Remarks       | BFSL = Best Fit Straight Line<br>LS = limit value setting |
| Pack quantity | 1 pcs.  |

### Electrical connection

Connector: 1 x M12; coding: A



### Connection



OUT            analog output  
The following pin connection is available at article number PT53xx Pin 1: L+, Pin 3: OUT  
Colors to DIN EN 60947-5-2  
Core colors :

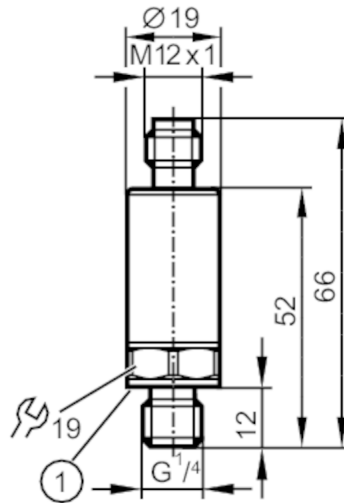
BN            brown  
WH            white

# PT5414



## Pressure transmitter

PT-016-SEG14-A-ZVG/US/ IW



1 sealing



### Product characteristics

|                              |   |             |             |
|------------------------------|---|-------------|-------------|
| Number of inputs and outputs | Number of analog outputs: 1                                   |             |             |
| Measuring range              | 0...16 bar  | 0...232 psi | 0...1.6 MPa |
| Process connection           | threaded connection G 1/4 external thread (DIN EN ISO 1179-2) |             |             |

### Application

|                         |                             |          |        |
|-------------------------|-----------------------------|----------|--------|
| Application             | for industrial applications |          |        |
| Media                   | liquids and gases           |          |        |
| Medium temperature [°C] | -40...90                    |          |        |
| Min. burst pressure     | 450 bar                     | 6525 psi | 45 MPa |
| Pressure rating         | 40 bar                      | 580 psi  | 4 MPa  |
| Note on pressure rating | static                      |          |        |
| Vacuum resistance       | -1000 mbar                  | -0.1 MPa |        |
| Type of pressure        | relative pressure           |          |        |

### Electrical data

|                                 |                 |  |  |
|---------------------------------|-----------------|--|--|
| Operating voltage [V]           | 8.5...36 DC     |  |  |
| Min. insulation resistance [MΩ] | 100; (500 V DC) |  |  |
| Protection class                | III             |  |  |
| Reverse polarity protection     | yes             |  |  |
| Power-on delay time [s]         | < 0.1           |  |  |

### Inputs / outputs

|                              |                             |  |  |
|------------------------------|-----------------------------|--|--|
| Number of inputs and outputs | Number of analog outputs: 1 |  |  |
|------------------------------|-----------------------------|--|--|

### Outputs

|                            |  |  |  |
|----------------------------|--|--|--|
| Total number of outputs    | 1  |  |  |
| Output signal              | analog signal  |  |  |
| Number of analog outputs   | 1  |  |  |
| Analog current output [mA] | 4...20   |  |  |
| Max. load [Ω]              | (U <sub>b</sub> – 8,5 V) / 21,5 mA; @8,5V= 0 Ω; @12V max. 160 Ω; @24V max. 720 Ω |  |  |
| Short-circuit proof        | yes  |  |  |

# PT5414



## Pressure transmitter

PT-016-SEG14-A-ZVG/US/ IW

|                     |     |
|---------------------|-----|
| Overload protection | yes |
|---------------------|-----|

### Measuring/setting range

|                 |            |             |             |
|-----------------|------------|-------------|-------------|
| Measuring range | 0...16 bar | 0...232 psi | 0...1.6 MPa |
|-----------------|------------|-------------|-------------|

### Accuracy / deviations

|  |   |
|--|---|
| Repeatability [% of the span]                                      | < ± 0,05; (with temperature fluctuations < 10 K)  |
| Characteristics deviation [% of the span]                          | < ± 0,5; (incl. drift when overtightened, zero point and span error, non-linearity, hysteresis) |
| Linearity deviation [% of the span]                                | < ± 0,1 (BFSL) / < ± 0,2 (LS)   |
| Hysteresis deviation [% of the span]                               | < ± 0,2   |
| Long-term stability [% of the span]                                | < ± 0,1; (per 6 months)   |
| Temperature coefficient zero point and span [% of the span / 10 K] | < 0,1 (-25...90 °C) / < 0,2 (-40...-25 °C)  |

### Reaction times

|                                       |   |
|---------------------------------------|---|
| Step response time analog output [ms] | 1 |
|---------------------------------------|---|

### Operating conditions

|                          |               |
|--------------------------|---------------|
| Ambient temperature [°C] | -40...90      |
| Storage temperature [°C] | -40...100     |
| Protection               | IP 67; IP 69K |

### Tests / approvals

|                              |   |                     |
|------------------------------|---|---------------------|
| EMC                          | DIN EN 61000-6-2  |                     |
|                              | DIN EN 61000-6-3  |                     |
| Shock resistance             | DIN EN 60068-2-27   | 50 g (11 ms)        |
| Vibration resistance         | DIN EN 60068-2-6  | 20 g (10...2000 Hz) |
| MTTF [years]                 |   | 784                 |
| UL approval                  | UL approval number  | J027                |
| Pressure equipment directive | sound engineering practice; can be used for group 2 fluids; group 1 fluids on request |                     |

### Mechanical data

|                               |  |
|-------------------------------|--|
| Weight [g]                    | 59   |
| Housing                       | tubular  |
| Dimensions [mm]               | ∅ 19 / L = 66  |
| Material                      | stainless steel (630/1.4542/17-4 PH); stainless steel (1.4404 / 316L); PEI                 |
| Materials (wetted parts)      | stainless steel (630/1.4542/17-4 PH)   |
| Min. pressure cycles          | 60 million; (at 1.2 times nominal pressure)  |
| Tightening torque [Nm]        | 25...35; (recommended tightening torque; Depends on lubrication, seal and pressure rating) |
| Process connection            | threaded connection G 1/4 external thread (DIN EN ISO 1179-2)                              |
| Process connection sealing    | FKM (DIN EN ISO 1179-2)  |
| Restrictor element integrated | no (can be retrofitted)  |

# PT5414



## Pressure transmitter

PT-016-SEG14-A-ZVG/US/ IW

### Remarks

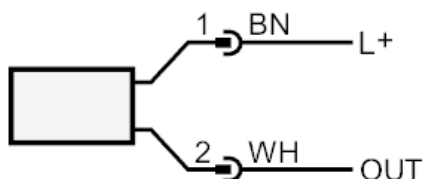
|               |   |
|---------------|---|
| Remarks       | BFSL = Best Fit Straight Line<br>LS = limit value setting |
| Pack quantity | 1 pcs.  |

### Electrical connection

Connector: 1 x M12; coding: A



### Connection



OUT            analog output  
The following pin connection is available at article number PT53xx Pin 1: L+, Pin 3: OUT  
Colors to DIN EN 60947-5-2  
Core colors :

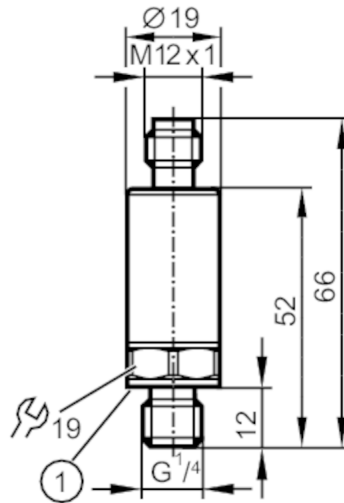
BN            brown  
WH            white

# PT5415



## Pressure transmitter

PT-006-SEG14-A-ZVG/US/ IW



1 sealing



### Product characteristics

|                              |   |            |             |             |
|------------------------------|---|------------|-------------|-------------|
| Number of inputs and outputs | Number of analog outputs: 1                                   |            |             |             |
| Measuring range              | 0...6 bar   | 0...87 psi | 0...600 kPa | 0...0.6 MPa |
| Process connection           | threaded connection G 1/4 external thread (DIN EN ISO 1179-2) |            |             |             |

### Application

|                         |                             |          |         |
|-------------------------|-----------------------------|----------|---------|
| Application             | for industrial applications |          |         |
| Media                   | liquids and gases           |          |         |
| Medium temperature [°C] | -40...90                    |          |         |
| Min. burst pressure     | 200 bar                     | 2900 psi | 20 MPa  |
| Pressure rating         | 15 bar                      | 215 psi  | 1.5 MPa |
| Note on pressure rating | static                      |          |         |
| Vacuum resistance       | -1000 mbar                  | -0.1 MPa |         |
| Type of pressure        | relative pressure           |          |         |

### Electrical data

|                                 |                 |
|---------------------------------|-----------------|
| Operating voltage [V]           | 8.5...36 DC     |
| Min. insulation resistance [MΩ] | 100; (500 V DC) |
| Protection class                | III             |
| Reverse polarity protection     | yes             |
| Power-on delay time [s]         | < 0.1           |

### Inputs / outputs

|                              |                             |
|------------------------------|-----------------------------|
| Number of inputs and outputs | Number of analog outputs: 1 |
|------------------------------|-----------------------------|

### Outputs

|                            |   |
|----------------------------|---|
| Total number of outputs    | 1   |
| Output signal              | analog signal   |
| Number of analog outputs   | 1   |
| Analog current output [mA] | 4...20  |
| Max. load [Ω]              | ( $U_b - 8,5 V$ ) / 21,5 mA; @8,5V= 0 Ω; @12V max. 160 Ω; @24V max. 720 Ω |
| Short-circuit proof        | yes   |

# PT5415



## Pressure transmitter

PT-006-SEG14-A-ZVG/US/ IW

|  |   |            |                     |             |
|--|---|------------|---------------------|-------------|
| Overload protection  | yes   |            |                     |             |
| <b>Measuring/setting range</b>                                     |   |            |                     |             |
| Measuring range  | 0...6 bar   | 0...87 psi | 0...600 kPa         | 0...0.6 MPa |
| <b>Accuracy / deviations</b>                                       |   |            |                     |             |
| Repeatability [% of the span]                                      | < ± 0,05; (with temperature fluctuations < 10 K)  |            |                     |             |
| Characteristics deviation [% of the span]                          | < ± 0,5; (incl. drift when overtightened, zero point and span error, non-linearity, hysteresis) |            |                     |             |
| Linearity deviation [% of the span]                                | < ± 0,1 (BFSL) / < ± 0,2 (LS)   |            |                     |             |
| Hysteresis deviation [% of the span]                               | < ± 0,2   |            |                     |             |
| Long-term stability [% of the span]                                | < ± 0,1; (per 6 months)   |            |                     |             |
| Temperature coefficient zero point and span [% of the span / 10 K] | < 0,1 (-25...90 °C) / < 0,2 (-40...-25 °C)  |            |                     |             |
| <b>Reaction times</b>  |   |            |                     |             |
| Step response time analog output [ms]                              | 1   |            |                     |             |
| <b>Operating conditions</b>  |   |            |                     |             |
| Ambient temperature [°C]   | -40...90  |            |                     |             |
| Storage temperature [°C]   | -40...100   |            |                     |             |
| Protection   | IP 67; IP 69K   |            |                     |             |
| <b>Tests / approvals</b>   |   |            |                     |             |
| EMC  | DIN EN 61000-6-2  |            |                     |             |
|  | DIN EN 61000-6-3  |            |                     |             |
| Shock resistance   | DIN EN 60068-2-27   |            | 50 g (11 ms)        |             |
| Vibration resistance   | DIN EN 60068-2-6  |            | 20 g (10...2000 Hz) |             |
| MTTF [years]   | 784   |            |                     |             |
| UL approval  | UL approval number  |            | J027                |             |
| Pressure equipment directive                                       | sound engineering practice; can be used for group 2 fluids; group 1 fluids on request           |            |                     |             |
| <b>Mechanical data</b>   |   |            |                     |             |
| Weight [g]   | 59  |            |                     |             |
| Housing  | tubular   |            |                     |             |
| Dimensions [mm]  | Ø 19 / L = 66   |            |                     |             |
| Material   | stainless steel (630/1.4542/17-4 PH); stainless steel (1.4404 / 316L); PEI                      |            |                     |             |
| Materials (wetted parts)   | stainless steel (630/1.4542/17-4 PH)  |            |                     |             |
| Min. pressure cycles   | 60 million; (at 1.2 times nominal pressure)   |            |                     |             |
| Tightening torque [Nm]   | 25...35; (recommended tightening torque; Depends on lubrication, seal and pressure rating)      |            |                     |             |
| Process connection   | threaded connection G 1/4 external thread (DIN EN ISO 1179-2)                                   |            |                     |             |
| Process connection sealing   | FKM (DIN EN ISO 1179-2)   |            |                     |             |
| Restrictor element integrated                                      | no (can be retrofitted)   |            |                     |             |

# PT5415



## Pressure transmitter

PT-006-SEG14-A-ZVG/US/ IW

### Remarks

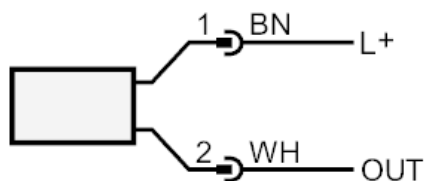
|               |   |
|---------------|---|
| Remarks       | BFSL = Best Fit Straight Line<br>LS = limit value setting |
| Pack quantity | 1 pcs.  |

### Electrical connection

Connector: 1 x M12; coding: A



### Connection



OUT            analog output  
The following pin connection is available at article number PT53xx Pin 1: L+, Pin 3: OUT  
Colors to DIN EN 60947-5-2  
Core colors :

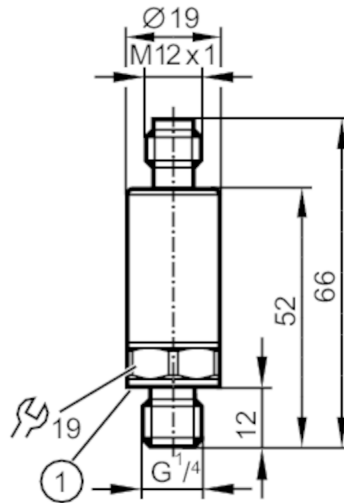
BN            brown  
WH            white

# PT5423



## Pressure transmitter

PT-060-SEG14-A-ZVG/US/ IW



1 sealing



### Product characteristics

|                              |   |             |           |
|------------------------------|---|-------------|-----------|
| Number of inputs and outputs | Number of analog outputs: 1                                   |             |           |
| Measuring range              | 0...60 bar  | 0...870 psi | 0...6 MPa |
| Process connection           | threaded connection G 1/4 external thread (DIN EN ISO 1179-2) |             |           |

### Application

|                         |                             |           |        |
|-------------------------|-----------------------------|-----------|--------|
| Application             | for industrial applications |           |        |
| Media                   | liquids and gases           |           |        |
| Medium temperature [°C] | -40...90                    |           |        |
| Min. burst pressure     | 900 bar                     | 13050 psi | 90 MPa |
| Pressure rating         | 150 bar                     | 2175 psi  | 15 MPa |
| Note on pressure rating | static                      |           |        |
| Vacuum resistance       | -1000 mbar                  | -0.1 MPa  |        |
| Type of pressure        | relative pressure           |           |        |

### Electrical data

|                                 |                 |  |  |
|---------------------------------|-----------------|--|--|
| Operating voltage [V]           | 8.5...36 DC     |  |  |
| Min. insulation resistance [MΩ] | 100; (500 V DC) |  |  |
| Protection class                | III             |  |  |
| Reverse polarity protection     | yes             |  |  |
| Power-on delay time [s]         | < 0.1           |  |  |

### Inputs / outputs

|                              |                             |  |  |
|------------------------------|-----------------------------|--|--|
| Number of inputs and outputs | Number of analog outputs: 1 |  |  |
|------------------------------|-----------------------------|--|--|

### Outputs

|                            |  |  |  |
|----------------------------|--|--|--|
| Total number of outputs    | 1  |  |  |
| Output signal              | analog signal  |  |  |
| Number of analog outputs   | 1  |  |  |
| Analog current output [mA] | 4...20   |  |  |
| Max. load [Ω]              | (U <sub>b</sub> – 8,5 V) / 21,5 mA; @8,5V= 0 Ω; @12V max. 160 Ω; @24V max. 720 Ω |  |  |
| Short-circuit proof        | yes  |  |  |

# PT5423



## Pressure transmitter

PT-060-SEG14-A-ZVG/US/ IW

|  |   |                     |           |
|--|---|---------------------|-----------|
| Overload protection  | yes   |                     |           |
| <b>Measuring/setting range</b>                                     |   |                     |           |
| Measuring range  | 0...60 bar  | 0...870 psi         | 0...6 MPa |
| <b>Accuracy / deviations</b>                                       |   |                     |           |
| Repeatability [% of the span]                                      | < ± 0,05; (with temperature fluctuations < 10 K)  |                     |           |
| Characteristics deviation [% of the span]                          | < ± 0,5; (incl. drift when overtightened, zero point and span error, non-linearity, hysteresis) |                     |           |
| Linearity deviation [% of the span]                                | < ± 0,1 (BFSL) / < ± 0,2 (LS)   |                     |           |
| Hysteresis deviation [% of the span]                               | < ± 0,2   |                     |           |
| Long-term stability [% of the span]                                | < ± 0,1; (per 6 months)   |                     |           |
| Temperature coefficient zero point and span [% of the span / 10 K] | < 0,1 (-25...90 °C) / < 0,2 (-40...-25 °C)  |                     |           |
| <b>Reaction times</b>  |   |                     |           |
| Step response time analog output [ms]                              | 1   |                     |           |
| <b>Operating conditions</b>  |   |                     |           |
| Ambient temperature [°C]   | -40...90  |                     |           |
| Storage temperature [°C]   | -40...100   |                     |           |
| Protection   | IP 67; IP 69K   |                     |           |
| <b>Tests / approvals</b>   |   |                     |           |
| EMC  | DIN EN 61000-6-2  |                     |           |
|  | DIN EN 61000-6-3  |                     |           |
| Shock resistance   | DIN EN 60068-2-27   | 50 g (11 ms)        |           |
| Vibration resistance   | DIN EN 60068-2-6  | 20 g (10...2000 Hz) |           |
| MTTF [years]   | 784   |                     |           |
| UL approval  | UL approval number  | J027                |           |
| Pressure equipment directive                                       | sound engineering practice; can be used for group 2 fluids; group 1 fluids on request           |                     |           |
| <b>Mechanical data</b>   |   |                     |           |
| Weight [g]   | 59  |                     |           |
| Housing  | tubular   |                     |           |
| Dimensions [mm]  | Ø 19 / L = 66   |                     |           |
| Material   | stainless steel (630/1.4542/17-4 PH); stainless steel (1.4404 / 316L); PEI                      |                     |           |
| Materials (wetted parts)   | stainless steel (630/1.4542/17-4 PH)  |                     |           |
| Min. pressure cycles   | 60 million; (at 1.2 times nominal pressure)   |                     |           |
| Tightening torque [Nm]   | 25...35; (recommended tightening torque; Depends on lubrication, seal and pressure rating)      |                     |           |
| Process connection   | threaded connection G 1/4 external thread (DIN EN ISO 1179-2)                                   |                     |           |
| Process connection sealing   | FKM (DIN EN ISO 1179-2)   |                     |           |
| Restrictor element integrated                                      | no (can be retrofitted)   |                     |           |

# PT5423



## Pressure transmitter

PT-060-SEG14-A-ZVG/US/ IW

### Remarks

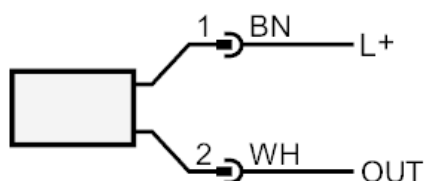
|               |   |
|---------------|---|
| Remarks       | BFSL = Best Fit Straight Line<br>LS = limit value setting |
| Pack quantity | 1 pcs.  |

### Electrical connection

Connector: 1 x M12; coding: A



### Connection



OUT            analog output  
                 The following pin connection is available at article number PT53xx Pin 1: L+, Pin 3: OUT  
                 Colors to DIN EN 60947-5-2  
                 Core colors :

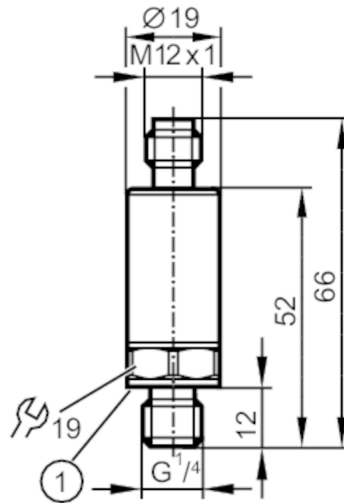
BN            brown  
WH            white

# PT5443



## Pressure transmitter

PT-040-SEG14-A-ZVG/US/ IW



1 sealing



### Product characteristics

|                              |   |             |           |
|------------------------------|---|-------------|-----------|
| Number of inputs and outputs | Number of analog outputs: 1                                   |             |           |
| Measuring range              | 0...40 bar  | 0...580 psi | 0...4 MPa |
| Process connection           | threaded connection G 1/4 external thread (DIN EN ISO 1179-2) |             |           |

### Application

|                         |                             |           |        |
|-------------------------|-----------------------------|-----------|--------|
| Application             | for industrial applications |           |        |
| Media                   | liquids and gases           |           |        |
| Medium temperature [°C] | -40...90                    |           |        |
| Min. burst pressure     | 800 bar                     | 11600 psi | 80 MPa |
| Pressure rating         | 100 bar                     | 1450 psi  | 10 MPa |
| Note on pressure rating | static                      |           |        |
| Vacuum resistance       | -1000 mbar                  | -0.1 MPa  |        |
| Type of pressure        | relative pressure           |           |        |

### Electrical data

|                                 |                 |  |  |
|---------------------------------|-----------------|--|--|
| Operating voltage [V]           | 8.5...36 DC     |  |  |
| Min. insulation resistance [MΩ] | 100; (500 V DC) |  |  |
| Protection class                | III             |  |  |
| Reverse polarity protection     | yes             |  |  |
| Power-on delay time [s]         | < 0.1           |  |  |

### Inputs / outputs

|                              |                             |  |  |
|------------------------------|-----------------------------|--|--|
| Number of inputs and outputs | Number of analog outputs: 1 |  |  |
|------------------------------|-----------------------------|--|--|

### Outputs

|                            |  |  |  |
|----------------------------|--|--|--|
| Total number of outputs    | 1  |  |  |
| Output signal              | analog signal  |  |  |
| Number of analog outputs   | 1  |  |  |
| Analog current output [mA] | 4...20   |  |  |
| Max. load [Ω]              | (U <sub>b</sub> – 8,5 V) / 21,5 mA; @8,5V= 0 Ω; @12V max. 160 Ω; @24V max. 720 Ω |  |  |
| Short-circuit proof        | yes  |  |  |

# PT5443



## Pressure transmitter

PT-040-SEG14-A-ZVG/US/ IW

|                     |     |
|---------------------|-----|
| Overload protection | yes |
|---------------------|-----|

### Measuring/setting range

|                 |            |             |           |
|-----------------|------------|-------------|-----------|
| Measuring range | 0...40 bar | 0...580 psi | 0...4 MPa |
|-----------------|------------|-------------|-----------|

### Accuracy / deviations

|  |   |
|--|---|
| Repeatability [% of the span]                                      | < ± 0,05; (with temperature fluctuations < 10 K)  |
| Characteristics deviation [% of the span]                          | < ± 0,5; (incl. drift when overtightened, zero point and span error, non-linearity, hysteresis) |
| Linearity deviation [% of the span]                                | < ± 0,1 (BFSL) / < ± 0,2 (LS)   |
| Hysteresis deviation [% of the span]                               | < ± 0,2   |
| Long-term stability [% of the span]                                | < ± 0,1; (per 6 months)   |
| Temperature coefficient zero point and span [% of the span / 10 K] | < 0,1 (-25...90 °C) / < 0,2 (-40...-25 °C)  |

### Reaction times

|                                       |   |
|---------------------------------------|---|
| Step response time analog output [ms] | 1 |
|---------------------------------------|---|

### Operating conditions

|                          |               |
|--------------------------|---------------|
| Ambient temperature [°C] | -40...90      |
| Storage temperature [°C] | -40...100     |
| Protection               | IP 67; IP 69K |

### Tests / approvals

|                              |   |                     |
|------------------------------|---|---------------------|
| EMC                          | DIN EN 61000-6-2  |                     |
|                              | DIN EN 61000-6-3  |                     |
| Shock resistance             | DIN EN 60068-2-27   | 50 g (11 ms)        |
| Vibration resistance         | DIN EN 60068-2-6  | 20 g (10...2000 Hz) |
| MTTF [years]                 |   | 784                 |
| UL approval                  | UL approval number  | J027                |
| Pressure equipment directive | sound engineering practice; can be used for group 2 fluids; group 1 fluids on request |                     |

### Mechanical data

|                               |  |
|-------------------------------|--|
| Weight [g]                    | 59   |
| Housing                       | tubular  |
| Dimensions [mm]               | ∅ 19 / L = 66  |
| Material                      | stainless steel (630/1.4542/17-4 PH); stainless steel (1.4404 / 316L); PEI                 |
| Materials (wetted parts)      | stainless steel (630/1.4542/17-4 PH)   |
| Min. pressure cycles          | 60 million; (at 1.2 times nominal pressure)  |
| Tightening torque [Nm]        | 25...35; (recommended tightening torque; Depends on lubrication, seal and pressure rating) |
| Process connection            | threaded connection G 1/4 external thread (DIN EN ISO 1179-2)                              |
| Process connection sealing    | FKM (DIN EN ISO 1179-2)  |
| Restrictor element integrated | no (can be retrofitted)  |

# PT5443



## Pressure transmitter

PT-040-SEG14-A-ZVG/US/ IW

### Remarks

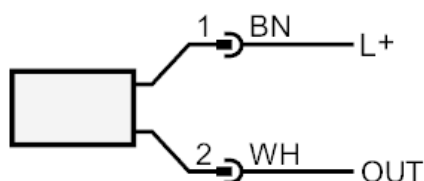
|               |   |
|---------------|---|
| Remarks       | BFSL = Best Fit Straight Line<br>LS = limit value setting |
| Pack quantity | 1 pcs.  |

### Electrical connection

Connector: 1 x M12; coding: A



### Connection



OUT            analog output  
The following pin connection is available at article number PT53xx Pin 1: L+, Pin 3: OUT  
Colors to DIN EN 60947-5-2  
Core colors :

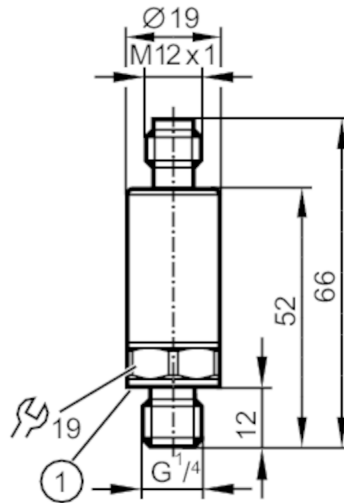
BN            brown  
WH            white

# PT5460



## Pressure transmitter

PT-600-SEG14-A-ZVG/US/ IW



1 sealing



### Product characteristics

|                              |   |              |            |
|------------------------------|---|--------------|------------|
| Number of inputs and outputs | Number of analog outputs: 1                                   |              |            |
| Measuring range              | 0...600 bar   | 0...8700 psi | 0...60 MPa |
| Process connection           | threaded connection G 1/4 external thread (DIN EN ISO 1179-2) |              |            |

### Application

|                         |                             |           |         |
|-------------------------|-----------------------------|-----------|---------|
| Application             | for industrial applications |           |         |
| Media                   | liquids and gases           |           |         |
| Medium temperature [°C] | -40...90                    |           |         |
| Min. burst pressure     | 2500 bar                    | 36255 psi | 250 MPa |
| Pressure rating         | 1500 bar                    | 21755 psi | 150 MPa |
| Note on pressure rating | static                      |           |         |
| Vacuum resistance       | -1000 mbar                  | -0.1 MPa  |         |
| Type of pressure        | relative pressure           |           |         |

### Electrical data

|                                 |                 |  |  |
|---------------------------------|-----------------|--|--|
| Operating voltage [V]           | 8.5...36 DC     |  |  |
| Min. insulation resistance [MΩ] | 100; (500 V DC) |  |  |
| Protection class                | III             |  |  |
| Reverse polarity protection     | yes             |  |  |
| Power-on delay time [s]         | < 0.1           |  |  |

### Inputs / outputs

|                              |                             |  |  |
|------------------------------|-----------------------------|--|--|
| Number of inputs and outputs | Number of analog outputs: 1 |  |  |
|------------------------------|-----------------------------|--|--|

### Outputs

|                            |  |  |  |
|----------------------------|--|--|--|
| Total number of outputs    | 1  |  |  |
| Output signal              | analog signal  |  |  |
| Number of analog outputs   | 1  |  |  |
| Analog current output [mA] | 4...20   |  |  |
| Max. load [Ω]              | (U <sub>b</sub> – 8,5 V) / 21,5 mA; @8,5V= 0 Ω; @12V max. 160 Ω; @24V max. 720 Ω |  |  |
| Short-circuit proof        | yes  |  |  |

# PT5460



## Pressure transmitter

PT-600-SEG14-A-ZVG/US/ IW

|  |   |                     |            |
|--|---|---------------------|------------|
| Overload protection  | yes   |                     |            |
| <b>Measuring/setting range</b>                                     |   |                     |            |
| Measuring range  | 0...600 bar   | 0...8700 psi        | 0...60 MPa |
| <b>Accuracy / deviations</b>                                       |   |                     |            |
| Repeatability [% of the span]                                      | < ± 0,05; (with temperature fluctuations < 10 K)  |                     |            |
| Characteristics deviation [% of the span]                          | < ± 0,5; (incl. drift when overtightened, zero point and span error, non-linearity, hysteresis) |                     |            |
| Linearity deviation [% of the span]                                | < ± 0,1 (BFSL) / < ± 0,2 (LS)   |                     |            |
| Hysteresis deviation [% of the span]                               | < ± 0,2   |                     |            |
| Long-term stability [% of the span]                                | < ± 0,1; (per 6 months)   |                     |            |
| Temperature coefficient zero point and span [% of the span / 10 K] | < 0,1 (-25...90 °C) / < 0,2 (-40...-25 °C)  |                     |            |
| <b>Reaction times</b>  |   |                     |            |
| Step response time analog output [ms]                              | 1   |                     |            |
| <b>Operating conditions</b>  |   |                     |            |
| Ambient temperature [°C]   | -40...90  |                     |            |
| Storage temperature [°C]   | -40...100   |                     |            |
| Protection   | IP 67; IP 69K   |                     |            |
| <b>Tests / approvals</b>   |   |                     |            |
| EMC  | DIN EN 61000-6-2  |                     |            |
|  | DIN EN 61000-6-3  |                     |            |
| Shock resistance   | DIN EN 60068-2-27   | 50 g (11 ms)        |            |
| Vibration resistance   | DIN EN 60068-2-6  | 20 g (10...2000 Hz) |            |
| MTTF [years]   | 784   |                     |            |
| UL approval  | UL approval number  | J026                |            |
|  | File number UL  | E174189             |            |
| Pressure equipment directive                                       | Modul A; can be used for group 2 fluids; group 1 fluids on request                              |                     |            |
| <b>Mechanical data</b>   |   |                     |            |
| Weight [g]   | 59.5  |                     |            |
| Housing  | tubular   |                     |            |
| Dimensions [mm]  | Ø 19 / L = 66   |                     |            |
| Material   | stainless steel (630/1.4542/17-4 PH); stainless steel (1.4404 / 316L); PEI                      |                     |            |
| Materials (wetted parts)   | stainless steel (630/1.4542/17-4 PH)  |                     |            |
| Min. pressure cycles   | 60 million; (at 1.2 times nominal pressure)   |                     |            |
| Tightening torque [Nm]   | 30...50; (recommended tightening torque; Depends on lubrication, seal and pressure rating)      |                     |            |
| Process connection   | threaded connection G 1/4 external thread (DIN EN ISO 1179-2)                                   |                     |            |
| Process connection sealing   | FKM (DIN EN ISO 1179-2)   |                     |            |
| Restrictor element integrated                                      | no (can be retrofitted)   |                     |            |

# PT5460



## Pressure transmitter

PT-600-SEG14-A-ZVG/US/ IW

### Remarks

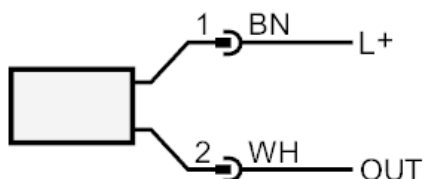
|               |   |
|---------------|---|
| Remarks       | BFSL = Best Fit Straight Line<br>LS = limit value setting |
| Pack quantity | 1 pcs.  |

### Electrical connection

Connector: 1 x M12; coding: A



### Connection



OUT            analog output  
The following pin connection is available at article number PT53xx Pin 1: L+, Pin 3: OUT  
Colors to DIN EN 60947-5-2  
Core colors :

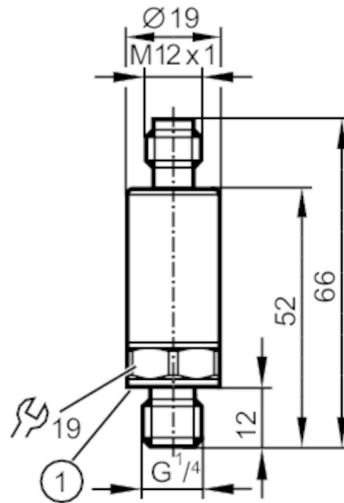
BN            brown  
WH            white

# PT5494



## Pressure transmitter

PT-010-SEG14-A-ZVG/US/ IW



1 sealing



### Product characteristics

|                              |   |                 |                 |              |
|------------------------------|---|-----------------|-----------------|--------------|
| Number of inputs and outputs | Number of analog outputs: 1                                   |                 |                 |              |
| Measuring range              | -1...10 bar   | -14.5...145 psi | -100...1000 kPa | -0.1...1 MPa |
| Process connection           | threaded connection G 1/4 external thread (DIN EN ISO 1179-2) |                 |                 |              |

### Application

|                         |                             |          |         |
|-------------------------|-----------------------------|----------|---------|
| Application             | for industrial applications |          |         |
| Media                   | liquids and gases           |          |         |
| Medium temperature [°C] | -40...90                    |          |         |
| Min. burst pressure     | 300 bar                     | 4350 psi | 30 MPa  |
| Pressure rating         | 25 bar                      | 360 psi  | 2.5 MPa |
| Note on pressure rating | static                      |          |         |
| Vacuum resistance       | -1000 mbar                  | -0.1 MPa |         |
| Type of pressure        | relative pressure; vacuum   |          |         |

### Electrical data

|                                 |                 |
|---------------------------------|-----------------|
| Operating voltage [V]           | 8.5...36 DC     |
| Min. insulation resistance [MΩ] | 100; (500 V DC) |
| Protection class                | III             |
| Reverse polarity protection     | yes             |
| Power-on delay time [s]         | < 0.1           |

### Inputs / outputs

|                              |                             |
|------------------------------|-----------------------------|
| Number of inputs and outputs | Number of analog outputs: 1 |
|------------------------------|-----------------------------|

### Outputs

|                            |   |
|----------------------------|---|
| Total number of outputs    | 1   |
| Output signal              | analog signal   |
| Number of analog outputs   | 1   |
| Analog current output [mA] | 4...20  |
| Max. load [Ω]              | ( $U_b - 8,5 \text{ V}$ ) / 21,5 mA; @8,5V= 0 Ω; @12V max. 160 Ω; @24V max. 720 Ω |
| Short-circuit proof        | yes   |

# PT5494



## Pressure transmitter

PT-010-SEG14-A-ZVG/US/ IW

|                     |     |
|---------------------|-----|
| Overload protection | yes |
|---------------------|-----|

### Measuring/setting range

|                 |             |                 |                 |              |
|-----------------|-------------|-----------------|-----------------|--------------|
| Measuring range | -1...10 bar | -14.5...145 psi | -100...1000 kPa | -0.1...1 MPa |
|-----------------|-------------|-----------------|-----------------|--------------|

### Accuracy / deviations

|  |   |
|--|---|
| Repeatability [% of the span]                                      | < ± 0,05; (with temperature fluctuations < 10 K)  |
| Characteristics deviation [% of the span]                          | < ± 0,5; (incl. drift when overtightened, zero point and span error, non-linearity, hysteresis) |
| Linearity deviation [% of the span]                                | < ± 0,1 (BFSL) / < ± 0,2 (LS)   |
| Hysteresis deviation [% of the span]                               | < ± 0,2   |
| Long-term stability [% of the span]                                | < ± 0,1; (per 6 months)   |
| Temperature coefficient zero point and span [% of the span / 10 K] | < 0,1 (-25...90 °C) / < 0,2 (-40...-25 °C)  |

### Reaction times

|                                       |   |
|---------------------------------------|---|
| Step response time analog output [ms] | 1 |
|---------------------------------------|---|

### Operating conditions

|                          |               |
|--------------------------|---------------|
| Ambient temperature [°C] | -40...90      |
| Storage temperature [°C] | -40...100     |
| Protection               | IP 67; IP 69K |

### Tests / approvals

|                              |   |                     |
|------------------------------|---|---------------------|
| EMC                          | DIN EN 61000-6-2  |                     |
|                              | DIN EN 61000-6-3  |                     |
| Shock resistance             | DIN EN 60068-2-27   | 50 g (11 ms)        |
| Vibration resistance         | DIN EN 60068-2-6  | 20 g (10...2000 Hz) |
| MTTF [years]                 |   | 784                 |
| UL approval                  | UL approval number  | J027                |
| Pressure equipment directive | sound engineering practice; can be used for group 2 fluids; group 1 fluids on request |                     |

### Mechanical data

|                               |  |
|-------------------------------|--|
| Weight [g]                    | 59   |
| Housing                       | tubular  |
| Dimensions [mm]               | Ø 19 / L = 66  |
| Material                      | stainless steel (630/1.4542/17-4 PH); stainless steel (1.4404 / 316L); PEI                 |
| Materials (wetted parts)      | stainless steel (630/1.4542/17-4 PH)   |
| Min. pressure cycles          | 60 million; (at 1.2 times nominal pressure)  |
| Tightening torque [Nm]        | 25...35; (recommended tightening torque; Depends on lubrication, seal and pressure rating) |
| Process connection            | threaded connection G 1/4 external thread (DIN EN ISO 1179-2)                              |
| Process connection sealing    | FKM (DIN EN ISO 1179-2)  |
| Restrictor element integrated | no (can be retrofitted)  |

# PT5494



## Pressure transmitter

PT-010-SEG14-A-ZVG/US/ IW

### Remarks

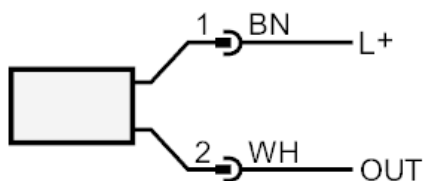
|               |   |
|---------------|---|
| Remarks       | BFSL = Best Fit Straight Line<br>LS = limit value setting |
| Pack quantity | 1 pcs.  |

### Electrical connection

Connector: 1 x M12; coding: A



### Connection



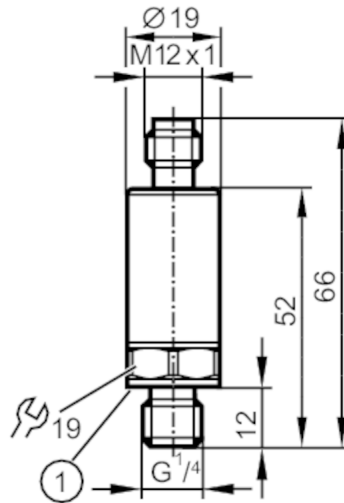
OUT            analog output  
                 Colors to DIN EN 60947-5-2  
                 Core colors :  
BN             brown  
WH             white

# PT5500



## Pressure transmitter

PT-400-SEG14-A-ZVG/US



1 sealing



### Product characteristics

|                              |   |              |            |
|------------------------------|---|--------------|------------|
| Number of inputs and outputs | Number of analog outputs: 1                                   |              |            |
| Measuring range              | 0...400 bar   | 0...5800 psi | 0...40 MPa |
| Process connection           | threaded connection G 1/4 external thread (DIN EN ISO 1179-2) |              |            |

### Application

|                         |                         |           |         |
|-------------------------|-------------------------|-----------|---------|
| Application             | for mobile applications |           |         |
| Media                   | liquids and gases       |           |         |
| Medium temperature [°C] | -40...125               |           |         |
| Min. burst pressure     | 1700 bar                | 24655 psi | 170 MPa |
| Pressure rating         | 1000 bar                | 14500 psi | 100 MPa |
| Note on pressure rating | static                  |           |         |
| Vacuum resistance       | -1000 mbar              | -0.1 MPa  |         |
| Type of pressure        | relative pressure       |           |         |

### Electrical data

|                                 |                 |  |  |
|---------------------------------|-----------------|--|--|
| Operating voltage [V]           | 8...32 DC       |  |  |
| Min. insulation resistance [MΩ] | 100; (500 V DC) |  |  |
| Protection class                | III             |  |  |
| Reverse polarity protection     | yes             |  |  |
| Power-on delay time [s]         | < 0.1           |  |  |

### Inputs / outputs

|                              |                             |  |  |
|------------------------------|-----------------------------|--|--|
| Number of inputs and outputs | Number of analog outputs: 1 |  |  |
|------------------------------|-----------------------------|--|--|

### Outputs

|                            |   |  |  |
|----------------------------|---|--|--|
| Total number of outputs    | 1   |  |  |
| Output signal              | analog signal   |  |  |
| Number of analog outputs   | 1   |  |  |
| Analog current output [mA] | 4...20  |  |  |
| Max. load [Ω]              | (U <sub>b</sub> - 8 V) / 21,5 mA; @8V = 0 Ω; @12V max. 200 Ω; @24V max. 750 Ω |  |  |
| Short-circuit proof        | yes   |  |  |

# PT5500



## Pressure transmitter

PT-400-SEG14-A-ZVG/US

|   |   |                     |            |
|---|---|---------------------|------------|
| Overload protection                                       | yes   |                     |            |
| <b>Measuring/setting range</b>                            |   |                     |            |
| Measuring range   | 0...400 bar   | 0...5800 psi        | 0...40 MPa |
| <b>Accuracy / deviations</b>                              |   |                     |            |
| Repeatability [% of the span]                             | < ± 0,05; (with temperature fluctuations < 10 K)  |                     |            |
| Characteristics deviation [% of the span]                 | < ± 0,8; (incl. drift when overtightened, zero point and span error, non-linearity, hysteresis) |                     |            |
| Linearity deviation [% of the span]                       | < ± 0,25 (BFSL) / < ± 0,5 (LS)  |                     |            |
| Hysteresis deviation [% of the span]                      | < ± 0,2   |                     |            |
| Long-term stability [% of the span]                       | < ± 0,1; (per 6 months)   |                     |            |
| Temperature coefficient zero point [% of the span / 10 K] | < ± 0,1 (0...80 °C); < ± 0,2 (-40...0 °C / 80...125 °C)   |                     |            |
| Temperature coefficient span [% of the span / 10 K]       | < ± 0,1 (0...80 °C); < ± 0,2 (-40...0 °C / 80...125 °C)   |                     |            |
| <b>Reaction times</b>                                     |   |                     |            |
| Step response time analog output [ms]                     | 2   |                     |            |
| <b>Operating conditions</b>                               |   |                     |            |
| Ambient temperature [°C]                                  | -40...100   |                     |            |
| Storage temperature [°C]                                  | -40...100   |                     |            |
| Protection  | IP 67; IP 69K   |                     |            |
| <b>Tests / approvals</b>                                  |   |                     |            |
| EMC   | compliant with UN ECE R10, rev. 5   | (E1 compliant)      |            |
|   | ISO 11452-2   | 100 V/m             |            |
|   | DIN EN 61326-1  |                     |            |
| Shock resistance  | DIN EN 60068-2-27   | 500 g (1 ms)        |            |
| Vibration resistance                                      | DIN EN 60068-2-6  | 20 g (10...2000 Hz) |            |
| MTTF [years]  | 704   |                     |            |
| UL approval   | UL approval number  | J073                |            |
|   | File number UL  | E174189             |            |
| Pressure equipment directive                              | sound engineering practice; can be used for group 2 fluids; group 1 fluids on request           |                     |            |
| <b>Mechanical data</b>                                    |   |                     |            |
| Weight [g]  | 59  |                     |            |
| Housing   | tubular   |                     |            |
| Dimensions [mm]   | Ø 19 / L = 66   |                     |            |
| Material  | stainless steel (630/1.4542/17-4 PH); stainless steel (1.4404 / 316L); PEI                      |                     |            |
| Materials (wetted parts)                                  | stainless steel (630/1.4542/17-4 PH)  |                     |            |
| Min. pressure cycles                                      | 60 million; (at 1.2 times nominal pressure)   |                     |            |
| Tightening torque [Nm]                                    | 25...35; (recommended tightening torque; Depends on lubrication, seal and pressure rating)      |                     |            |
| Process connection  | threaded connection G 1/4 external thread (DIN EN ISO 1179-2)                                   |                     |            |
| Process connection sealing                                | HNBR (DIN EN ISO 1179-2)  |                     |            |

# PT5500



## Pressure transmitter

PT-400-SEG14-A-ZVG/US

Restrictor element integrated yes

### Remarks

Remarks BFSL = Best Fit Straight Line

LS = limit value setting

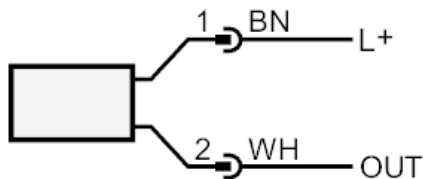
Pack quantity 1 pcs.

### Electrical connection

Connector: 1 x M12; coding: A



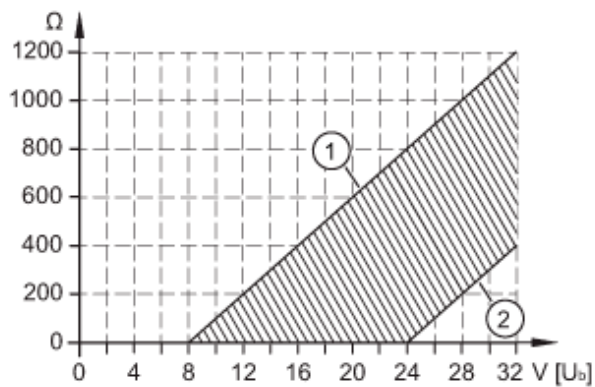
### Connection



OUT analog output  
Colors to DIN EN 60947-5-2  
Core colors :  
 BN = brown  
 WH = white

### Diagrams and graphs

Characteristic load curve current output



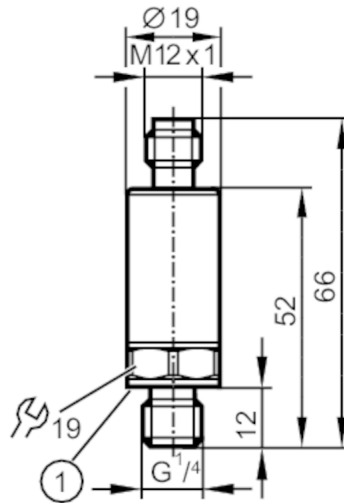
1: Max. load  
 2: Min. load

# PT5501



## Pressure transmitter

PT-250-SEG14-A-ZVG/US



1 sealing



### Product characteristics

|                              |   |              |            |
|------------------------------|---|--------------|------------|
| Number of inputs and outputs | Number of analog outputs: 1                                   |              |            |
| Measuring range              | 0...250 bar   | 0...3625 psi | 0...25 MPa |
| Process connection           | threaded connection G 1/4 external thread (DIN EN ISO 1179-2) |              |            |

### Application

|                         |                         |           |          |
|-------------------------|-------------------------|-----------|----------|
| Application             | for mobile applications |           |          |
| Media                   | liquids and gases       |           |          |
| Medium temperature [°C] | -40...125               |           |          |
| Min. burst pressure     | 1200 bar                | 17400 psi | 120 MPa  |
| Pressure rating         | 625 bar                 | 9060 psi  | 62.5 MPa |
| Note on pressure rating | static                  |           |          |
| Vacuum resistance       | -1000 mbar              | -0.1 MPa  |          |
| Type of pressure        | relative pressure       |           |          |

### Electrical data

|                                 |                 |  |  |
|---------------------------------|-----------------|--|--|
| Operating voltage [V]           | 8...32 DC       |  |  |
| Min. insulation resistance [MΩ] | 100; (500 V DC) |  |  |
| Protection class                | III             |  |  |
| Reverse polarity protection     | yes             |  |  |
| Power-on delay time [s]         | < 0.1           |  |  |

### Inputs / outputs

|                              |                             |  |  |
|------------------------------|-----------------------------|--|--|
| Number of inputs and outputs | Number of analog outputs: 1 |  |  |
|------------------------------|-----------------------------|--|--|

### Outputs

|                            |   |  |  |
|----------------------------|---|--|--|
| Total number of outputs    | 1   |  |  |
| Output signal              | analog signal   |  |  |
| Number of analog outputs   | 1   |  |  |
| Analog current output [mA] | 4...20  |  |  |
| Max. load [Ω]              | (U <sub>b</sub> - 8 V) / 21,5 mA; @8V = 0 Ω; @12V max. 200 Ω; @24V max. 750 Ω |  |  |
| Short-circuit proof        | yes   |  |  |

# PT5501



## Pressure transmitter

PT-250-SEG14-A-ZVG/US

|   |   |                     |            |
|---|---|---------------------|------------|
| Overload protection                                       | yes   |                     |            |
| <b>Measuring/setting range</b>                            |   |                     |            |
| Measuring range   | 0...250 bar   | 0...3625 psi        | 0...25 MPa |
| <b>Accuracy / deviations</b>                              |   |                     |            |
| Repeatability [% of the span]                             | < ± 0,05; (with temperature fluctuations < 10 K)  |                     |            |
| Characteristics deviation [% of the span]                 | < ± 0,8; (incl. drift when overtightened, zero point and span error, non-linearity, hysteresis) |                     |            |
| Linearity deviation [% of the span]                       | < ± 0,25 (BFSL) / < ± 0,5 (LS)  |                     |            |
| Hysteresis deviation [% of the span]                      | < ± 0,2   |                     |            |
| Long-term stability [% of the span]                       | < ± 0,1; (per 6 months)   |                     |            |
| Temperature coefficient zero point [% of the span / 10 K] | < ± 0,1 (0...80 °C); < ± 0,2 (-40...0 °C / 80...125 °C)   |                     |            |
| Temperature coefficient span [% of the span / 10 K]       | < ± 0,1 (0...80 °C); < ± 0,2 (-40...0 °C / 80...125 °C)   |                     |            |
| <b>Reaction times</b>                                     |   |                     |            |
| Step response time analog output [ms]                     | 2   |                     |            |
| <b>Operating conditions</b>                               |   |                     |            |
| Ambient temperature [°C]                                  | -40...100   |                     |            |
| Storage temperature [°C]                                  | -40...100   |                     |            |
| Protection  | IP 67; IP 69K   |                     |            |
| <b>Tests / approvals</b>                                  |   |                     |            |
| EMC   | compliant with UN ECE R10, rev. 5   | (E1 compliant)      |            |
|   | ISO 11452-2   | 100 V/m             |            |
|   | DIN EN 61326-1  |                     |            |
| Shock resistance  | DIN EN 60068-2-27   | 500 g (1 ms)        |            |
| Vibration resistance                                      | DIN EN 60068-2-6  | 20 g (10...2000 Hz) |            |
| MTTF [years]  | 704   |                     |            |
| UL approval   | UL approval number  | J072                |            |
|   | File number UL  | E174189             |            |
| Pressure equipment directive                              | sound engineering practice; can be used for group 2 fluids; group 1 fluids on request           |                     |            |
| <b>Mechanical data</b>                                    |   |                     |            |
| Weight [g]  | 59  |                     |            |
| Housing   | tubular   |                     |            |
| Dimensions [mm]   | Ø 19 / L = 66   |                     |            |
| Material  | stainless steel (630/1.4542/17-4 PH); stainless steel (1.4404 / 316L); PEI                      |                     |            |
| Materials (wetted parts)                                  | stainless steel (630/1.4542/17-4 PH)  |                     |            |
| Min. pressure cycles                                      | 60 million; (at 1.2 times nominal pressure)   |                     |            |
| Tightening torque [Nm]                                    | 25...35; (recommended tightening torque; Depends on lubrication, seal and pressure rating)      |                     |            |
| Process connection  | threaded connection G 1/4 external thread (DIN EN ISO 1179-2)                                   |                     |            |
| Process connection sealing                                | HNBR (DIN EN ISO 1179-2)  |                     |            |

# PT5501



## Pressure transmitter

PT-250-SEG14-A-ZVG/US

|                               |     |
|-------------------------------|-----|
| Restrictor element integrated | yes |
|-------------------------------|-----|

### Remarks

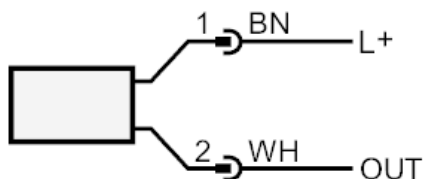
|               |   |
|---------------|---|
| Remarks       | BFSL = Best Fit Straight Line<br>LS = limit value setting |
| Pack quantity | 1 pcs.  |

### Electrical connection

Connector: 1 x M12; coding: A; Maximum cable length: 30 m



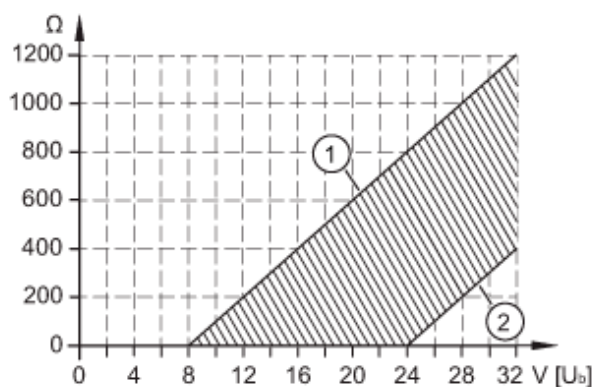
### Connection



OUT            analog output  
                  Colors to DIN EN 60947-5-2  
                  Core colors :  
 BN =            brown  
 WH =            white

### Diagrams and graphs

Characteristic load curve current output



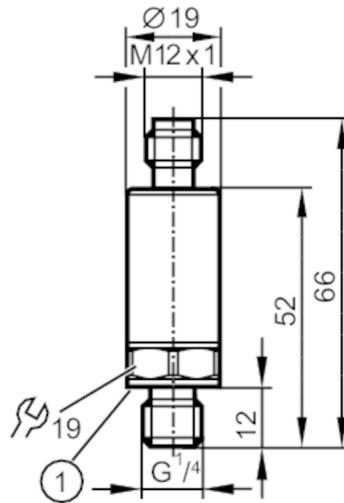
1: Max. load  
 2: Min. load

# PT5502



## Pressure transmitter

PT-100-SEG14-A-ZVG/US



1 sealing



### Product characteristics

|                              |   |              |            |
|------------------------------|---|--------------|------------|
| Number of inputs and outputs | Number of analog outputs: 1                                   |              |            |
| Measuring range              | 0...100 bar   | 0...1450 psi | 0...10 MPa |
| Process connection           | threaded connection G 1/4 external thread (DIN EN ISO 1179-2) |              |            |

### Application

|                         |                         |           |         |
|-------------------------|-------------------------|-----------|---------|
| Application             | for mobile applications |           |         |
| Media                   | liquids and gases       |           |         |
| Medium temperature [°C] | -40...125               |           |         |
| Min. burst pressure     | 1000 bar                | 14500 psi | 100 MPa |
| Pressure rating         | 250 bar                 | 3625 psi  | 25 MPa  |
| Note on pressure rating | static                  |           |         |
| Vacuum resistance       | -1000 mbar              | -0.1 MPa  |         |
| Type of pressure        | relative pressure       |           |         |

### Electrical data

|                                 |                 |  |  |
|---------------------------------|-----------------|--|--|
| Operating voltage [V]           | 8...32 DC       |  |  |
| Min. insulation resistance [MΩ] | 100; (500 V DC) |  |  |
| Protection class                | III             |  |  |
| Reverse polarity protection     | yes             |  |  |
| Power-on delay time [s]         | < 0.1           |  |  |

### Inputs / outputs

|                              |                             |  |  |
|------------------------------|-----------------------------|--|--|
| Number of inputs and outputs | Number of analog outputs: 1 |  |  |
|------------------------------|-----------------------------|--|--|

### Outputs

|                            |   |  |  |
|----------------------------|---|--|--|
| Total number of outputs    | 1   |  |  |
| Output signal              | analog signal   |  |  |
| Number of analog outputs   | 1   |  |  |
| Analog current output [mA] | 4...20  |  |  |
| Max. load [Ω]              | (U <sub>b</sub> - 8 V) / 21,5 mA; @8V = 0 Ω; @12V max. 200 Ω; @24V max. 750 Ω |  |  |
| Short-circuit proof        | yes   |  |  |

# PT5502



## Pressure transmitter

PT-100-SEG14-A-ZVG/US

|   |   |                     |            |
|---|---|---------------------|------------|
| Overload protection                                       | yes   |                     |            |
| <b>Measuring/setting range</b>                            |   |                     |            |
| Measuring range   | 0...100 bar   | 0...1450 psi        | 0...10 MPa |
| <b>Accuracy / deviations</b>                              |   |                     |            |
| Repeatability [% of the span]                             | < ± 0,05; (with temperature fluctuations < 10 K)  |                     |            |
| Characteristics deviation [% of the span]                 | < ± 0,8; (incl. drift when overtightened, zero point and span error, non-linearity, hysteresis) |                     |            |
| Linearity deviation [% of the span]                       | < ± 0,25 (BFSL) / < ± 0,5 (LS)  |                     |            |
| Hysteresis deviation [% of the span]                      | < ± 0,2   |                     |            |
| Long-term stability [% of the span]                       | < ± 0,1; (per 6 months)   |                     |            |
| Temperature coefficient zero point [% of the span / 10 K] | < ± 0,1 (0...80 °C); < ± 0,2 (-40...0 °C / 80...125 °C)   |                     |            |
| Temperature coefficient span [% of the span / 10 K]       | < ± 0,1 (0...80 °C); < ± 0,2 (-40...0 °C / 80...125 °C)   |                     |            |
| <b>Reaction times</b>                                     |   |                     |            |
| Step response time analog output [ms]                     | 2   |                     |            |
| <b>Operating conditions</b>                               |   |                     |            |
| Ambient temperature [°C]                                  | -40...100   |                     |            |
| Storage temperature [°C]                                  | -40...100   |                     |            |
| Protection  | IP 67; IP 69K   |                     |            |
| <b>Tests / approvals</b>                                  |   |                     |            |
| EMC   | compliant with UN ECE R10, rev. 5   | (E1 compliant)      |            |
|   | ISO 11452-2   | 100 V/m             |            |
|   | DIN EN 61326-1  |                     |            |
| Shock resistance  | DIN EN 60068-2-27   | 500 g (1 ms)        |            |
| Vibration resistance                                      | DIN EN 60068-2-6  | 20 g (10...2000 Hz) |            |
| MTTF [years]  | 711   |                     |            |
| UL approval   | UL approval number  | J071                |            |
|   | File number UL  | E174189             |            |
| Pressure equipment directive                              | sound engineering practice; can be used for group 2 fluids; group 1 fluids on request           |                     |            |
| <b>Mechanical data</b>                                    |   |                     |            |
| Weight [g]  | 58.5  |                     |            |
| Housing   | tubular   |                     |            |
| Dimensions [mm]   | Ø 19 / L = 66   |                     |            |
| Material  | stainless steel (630/1.4542/17-4 PH); stainless steel (1.4404 / 316L); PEI                      |                     |            |
| Materials (wetted parts)                                  | stainless steel (630/1.4542/17-4 PH)  |                     |            |
| Min. pressure cycles                                      | 60 million; (at 1.2 times nominal pressure)   |                     |            |
| Tightening torque [Nm]                                    | 25...35; (recommended tightening torque; Depends on lubrication, seal and pressure rating)      |                     |            |
| Process connection  | threaded connection G 1/4 external thread (DIN EN ISO 1179-2)                                   |                     |            |
| Process connection sealing                                | HNBR (DIN EN ISO 1179-2)  |                     |            |

# PT5502



## Pressure transmitter

PT-100-SEG14-A-ZVG/US

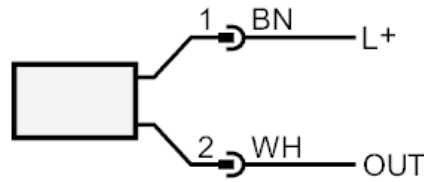
|                               |   |
|-------------------------------|---|
| Restrictor element integrated | yes   |
| <b>Remarks</b>                |   |
| Remarks                       | BFSL = Best Fit Straight Line<br>LS = limit value setting |
| Pack quantity                 | 1 pcs.  |

### Electrical connection

Connector: 1 x M12; coding: A



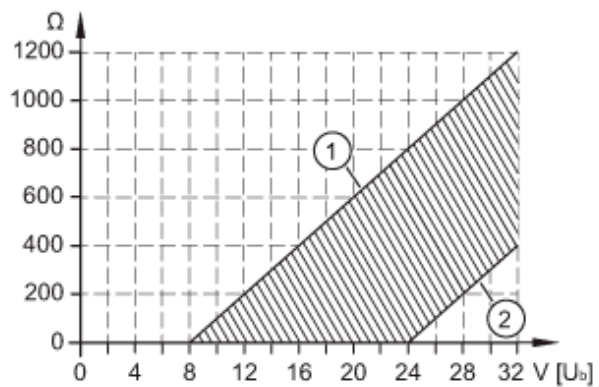
### Connection



OUT            analog output  
                  Colors to DIN EN 60947-5-2  
                  Core colors :  
 BN =            brown  
 WH =            white

### Diagrams and graphs

Characteristic load curve current output



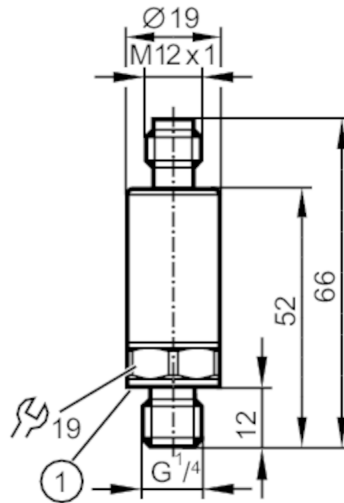
1: Max. load  
 2: Min. load

# PT5503



## Pressure transmitter

PT-025-SEG14-A-ZVG/US



1 sealing



### Product characteristics

|                              |   |             |             |
|------------------------------|---|-------------|-------------|
| Number of inputs and outputs | Number of analog outputs: 1                                   |             |             |
| Measuring range              | 0...25 bar  | 0...360 psi | 0...2.5 MPa |
| Process connection           | threaded connection G 1/4 external thread (DIN EN ISO 1179-2) |             |             |

### Application

|                         |                         |          |         |
|-------------------------|-------------------------|----------|---------|
| Application             | for mobile applications |          |         |
| Media                   | liquids and gases       |          |         |
| Medium temperature [°C] | -40...125               |          |         |
| Min. burst pressure     | 600 bar                 | 8700 psi | 60 MPa  |
| Pressure rating         | 65 bar                  | 940 psi  | 6.5 MPa |
| Note on pressure rating | static                  |          |         |
| Vacuum resistance       | -1000 mbar              | -0.1 MPa |         |
| Type of pressure        | relative pressure       |          |         |

### Electrical data

|                                 |                 |  |  |
|---------------------------------|-----------------|--|--|
| Operating voltage [V]           | 8...32 DC       |  |  |
| Min. insulation resistance [MΩ] | 100; (500 V DC) |  |  |
| Protection class                | III             |  |  |
| Reverse polarity protection     | yes             |  |  |
| Power-on delay time [s]         | < 0.1           |  |  |

### Inputs / outputs

|                              |                             |  |  |
|------------------------------|-----------------------------|--|--|
| Number of inputs and outputs | Number of analog outputs: 1 |  |  |
|------------------------------|-----------------------------|--|--|

### Outputs

|                            |   |  |  |
|----------------------------|---|--|--|
| Total number of outputs    | 1   |  |  |
| Output signal              | analog signal   |  |  |
| Number of analog outputs   | 1   |  |  |
| Analog current output [mA] | 4...20  |  |  |
| Max. load [Ω]              | (U <sub>b</sub> - 8 V) / 21,5 mA; @8V = 0 Ω; @12V max. 200 Ω; @24V max. 750 Ω |  |  |
| Short-circuit proof        | yes   |  |  |

# PT5503



## Pressure transmitter

PT-025-SEG14-A-ZVG/US

|                     |     |
|---------------------|-----|
| Overload protection | yes |
|---------------------|-----|

### Measuring/setting range

|                 |            |             |             |
|-----------------|------------|-------------|-------------|
| Measuring range | 0...25 bar | 0...360 psi | 0...2.5 MPa |
|-----------------|------------|-------------|-------------|

### Accuracy / deviations

|   |   |
|---|---|
| Repeatability [% of the span]                             | < ± 0,05; (with temperature fluctuations < 10 K)  |
| Characteristics deviation [% of the span]                 | < ± 0,8; (incl. drift when overtightened, zero point and span error, non-linearity, hysteresis) |
| Linearity deviation [% of the span]                       | < ± 0,25 (BFSL) / < ± 0,5 (LS)  |
| Hysteresis deviation [% of the span]                      | < ± 0,2   |
| Long-term stability [% of the span]                       | < ± 0,1; (per 6 months)   |
| Temperature coefficient zero point [% of the span / 10 K] | < ± 0,1 (0...80 °C); < ± 0,2 (-40...0 °C / 80...125 °C)   |
| Temperature coefficient span [% of the span / 10 K]       | < ± 0,1 (0...80 °C); < ± 0,3 (-40...0 °C); < ± 0,2 (80...125 °C)                                |

### Reaction times

|                                       |   |
|---------------------------------------|---|
| Step response time analog output [ms] | 2 |
|---------------------------------------|---|

### Operating conditions

|                          |               |
|--------------------------|---------------|
| Ambient temperature [°C] | -40...100     |
| Storage temperature [°C] | -40...100     |
| Protection               | IP 67; IP 69K |

### Tests / approvals

|                              |   |                     |
|------------------------------|---|---------------------|
| EMC                          | compliant with UN ECE R10, rev. 5   | (E1 compliant)      |
|                              | ISO 11452-2   | 100 V/m             |
|                              | DIN EN 61326-1  |                     |
| Shock resistance             | DIN EN 60068-2-27   | 500 g (1 ms)        |
| Vibration resistance         | DIN EN 60068-2-6  | 20 g (10...2000 Hz) |
| MTTF [years]                 |   | 704                 |
| UL approval                  | UL approval number  | J071                |
|                              | File number UL  | E174189             |
| Pressure equipment directive | sound engineering practice; can be used for group 2 fluids; group 1 fluids on request |                     |

### Mechanical data

|                            |  |
|----------------------------|--|
| Weight [g]                 | 58.5   |
| Housing                    | tubular  |
| Dimensions [mm]            | Ø 19 / L = 66  |
| Material                   | stainless steel (630/1.4542/17-4 PH); stainless steel (1.4404 / 316L); PEI                 |
| Materials (wetted parts)   | stainless steel (630/1.4542/17-4 PH)   |
| Min. pressure cycles       | 60 million; (at 1.2 times nominal pressure)  |
| Tightening torque [Nm]     | 25...35; (recommended tightening torque; Depends on lubrication, seal and pressure rating) |
| Process connection         | threaded connection G 1/4 external thread (DIN EN ISO 1179-2)                              |
| Process connection sealing | HNBR (DIN EN ISO 1179-2)   |

# PT5503



## Pressure transmitter

PT-025-SEG14-A-ZVG/US

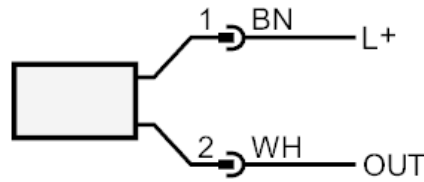
|                               |   |
|-------------------------------|---|
| Restrictor element integrated | yes   |
| <b>Remarks</b>                |   |
| Remarks                       | BFSL = Best Fit Straight Line<br>LS = limit value setting |
| Pack quantity                 | 1 pcs.  |

### Electrical connection

Connector: 1 x M12; coding: A



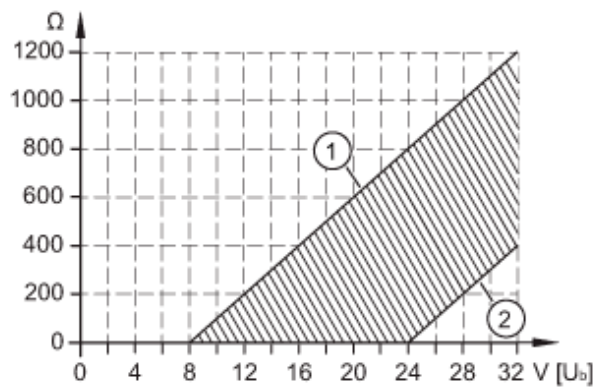
### Connection



OUT            analog output  
                 Colors to DIN EN 60947-5-2  
                 Core colors :  
BN =            brown  
WH =            white

### Diagrams and graphs

Characteristic load curve current output



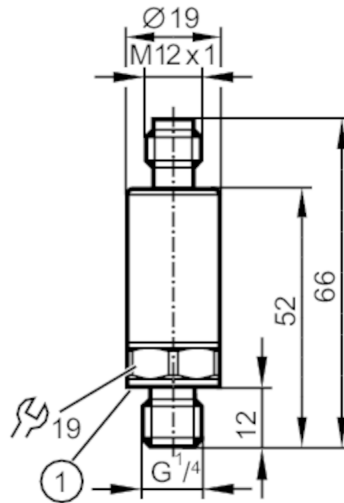
1: Max. load  
2: Min. load

# PT5504



## Pressure transmitter

PT-010-SEG14-A-ZVG/US



1 sealing



### Product characteristics

|                              |   |             |              |           |
|------------------------------|---|-------------|--------------|-----------|
| Number of inputs and outputs | Number of analog outputs: 1                                   |             |              |           |
| Measuring range              | 0...10 bar  | 0...145 psi | 0...1000 kPa | 0...1 MPa |
| Process connection           | threaded connection G 1/4 external thread (DIN EN ISO 1179-2) |             |              |           |

### Application

|                         |                         |          |         |
|-------------------------|-------------------------|----------|---------|
| Application             | for mobile applications |          |         |
| Media                   | liquids and gases       |          |         |
| Medium temperature [°C] | -40...125               |          |         |
| Min. burst pressure     | 300 bar                 | 4350 psi | 30 MPa  |
| Pressure rating         | 25 bar                  | 360 psi  | 2.5 MPa |
| Note on pressure rating | static                  |          |         |
| Vacuum resistance       | -1000 mbar              | -0.1 MPa |         |
| Type of pressure        | relative pressure       |          |         |

### Electrical data

|                                 |                 |  |  |
|---------------------------------|-----------------|--|--|
| Operating voltage [V]           | 8...32 DC       |  |  |
| Min. insulation resistance [MΩ] | 100; (500 V DC) |  |  |
| Protection class                | III             |  |  |
| Reverse polarity protection     | yes             |  |  |
| Power-on delay time [s]         | < 0.1           |  |  |

### Inputs / outputs

|                              |                             |
|------------------------------|-----------------------------|
| Number of inputs and outputs | Number of analog outputs: 1 |
|------------------------------|-----------------------------|

### Outputs

|                            |   |
|----------------------------|---|
| Total number of outputs    | 1   |
| Output signal              | analog signal   |
| Number of analog outputs   | 1   |
| Analog current output [mA] | 4...20  |
| Max. load [Ω]              | (U <sub>b</sub> - 8 V) / 21,5 mA; @8V = 0 Ω; @12V max. 200 Ω; @24V max. 750 Ω |
| Short-circuit proof        | yes   |

# PT5504



## Pressure transmitter

PT-010-SEG14-A-ZVG/US

|   |   |                     |              |           |
|---|---|---------------------|--------------|-----------|
| Overload protection                                       | yes   |                     |              |           |
| <b>Measuring/setting range</b>                            |   |                     |              |           |
| Measuring range   | 0...10 bar  | 0...145 psi         | 0...1000 kPa | 0...1 MPa |
| <b>Accuracy / deviations</b>                              |   |                     |              |           |
| Repeatability [% of the span]                             | < ± 0,05; (with temperature fluctuations < 10 K)  |                     |              |           |
| Characteristics deviation [% of the span]                 | < ± 0,8; (incl. drift when overtightened, zero point and span error, non-linearity, hysteresis) |                     |              |           |
| Linearity deviation [% of the span]                       | < ± 0,25 (BFSL) / < ± 0,5 (LS)  |                     |              |           |
| Hysteresis deviation [% of the span]                      | < ± 0,2   |                     |              |           |
| Long-term stability [% of the span]                       | < ± 0,1; (per 6 months)   |                     |              |           |
| Temperature coefficient zero point [% of the span / 10 K] | < ± 0,1 (0...80 °C); < ± 0,2 (-40...0 °C / 80...125 °C)   |                     |              |           |
| Temperature coefficient span [% of the span / 10 K]       | < ± 0,1 (0...80 °C); < ± 0,2 (-40...0 °C / 80...125 °C)   |                     |              |           |
| <b>Reaction times</b>                                     |   |                     |              |           |
| Step response time analog output [ms]                     | 2   |                     |              |           |
| <b>Operating conditions</b>                               |   |                     |              |           |
| Ambient temperature [°C]                                  | -40...100   |                     |              |           |
| Storage temperature [°C]                                  | -40...100   |                     |              |           |
| Protection  | IP 67; IP 69K   |                     |              |           |
| <b>Tests / approvals</b>                                  |   |                     |              |           |
| EMC   | compliant with UN ECE R10, rev. 5   | (E1 compliant)      |              |           |
|   | ISO 11452-2   | 100 V/m             |              |           |
|   | DIN EN 61326-1  |                     |              |           |
| Shock resistance  | DIN EN 60068-2-27   | 500 g (1 ms)        |              |           |
| Vibration resistance                                      | DIN EN 60068-2-6  | 20 g (10...2000 Hz) |              |           |
| MTTF [years]  | 711   |                     |              |           |
| UL approval   | UL approval number  | J070                |              |           |
|   | File number UL  | E174189             |              |           |
| Pressure equipment directive                              | sound engineering practice; can be used for group 2 fluids; group 1 fluids on request           |                     |              |           |
| <b>Mechanical data</b>                                    |   |                     |              |           |
| Weight [g]  | 58.5  |                     |              |           |
| Housing   | tubular   |                     |              |           |
| Dimensions [mm]   | Ø 19 / L = 66   |                     |              |           |
| Material  | stainless steel (630/1.4542/17-4 PH); stainless steel (1.4404 / 316L); PEI                      |                     |              |           |
| Materials (wetted parts)                                  | stainless steel (630/1.4542/17-4 PH)  |                     |              |           |
| Min. pressure cycles                                      | 60 million; (at 1.2 times nominal pressure)   |                     |              |           |
| Tightening torque [Nm]                                    | 25...35; (recommended tightening torque; Depends on lubrication, seal and pressure rating)      |                     |              |           |
| Process connection  | threaded connection G 1/4 external thread (DIN EN ISO 1179-2)                                   |                     |              |           |
| Process connection sealing                                | HNBR (DIN EN ISO 1179-2)  |                     |              |           |

# PT5504



## Pressure transmitter

PT-010-SEG14-A-ZVG/US

Restrictor element integrated yes

### Remarks

Remarks BFSL = Best Fit Straight Line

LS = limit value setting

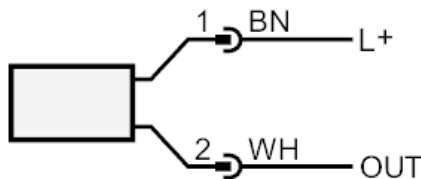
Pack quantity 1 pcs.

### Electrical connection

Connector: 1 x M12; coding: A



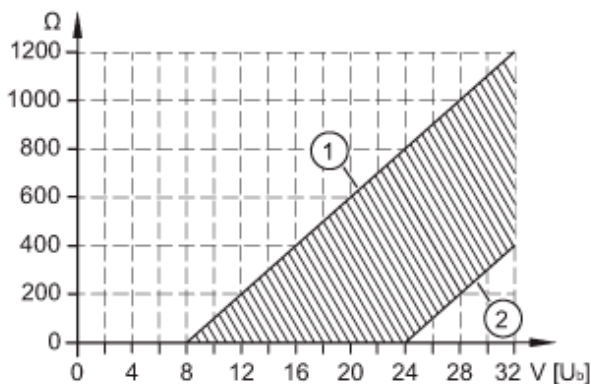
### Connection



OUT analog output  
Colors to DIN EN 60947-5-2  
Core colors :  
 BN = brown  
 WH = white

### Diagrams and graphs

Characteristic load curve current output



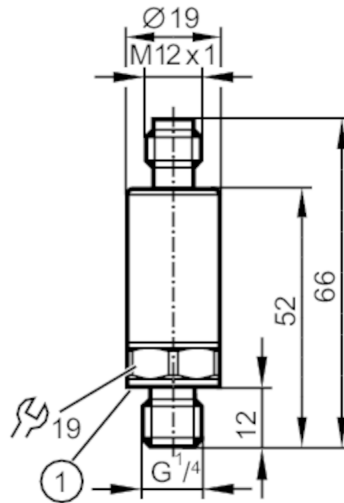
1: Max. load  
 2: Min. load

# PT5560



## Pressure transmitter

PT-600-SEG14-A-ZVG/US



1 sealing



### Product characteristics

|                              |   |              |            |
|------------------------------|---|--------------|------------|
| Number of inputs and outputs | Number of analog outputs: 1                                   |              |            |
| Measuring range              | 0...600 bar   | 0...8700 psi | 0...60 MPa |
| Process connection           | threaded connection G 1/4 external thread (DIN EN ISO 1179-2) |              |            |

### Application

|                         |                         |           |         |
|-------------------------|-------------------------|-----------|---------|
| Application             | for mobile applications |           |         |
| Media                   | liquids and gases       |           |         |
| Medium temperature [°C] | -40...125               |           |         |
| Min. burst pressure     | 2500 bar                | 36255 psi | 250 MPa |
| Pressure rating         | 1500 bar                | 21755 psi | 150 MPa |
| Note on pressure rating | static                  |           |         |
| Vacuum resistance       | -1000 mbar              | -0.1 MPa  |         |
| Type of pressure        | relative pressure       |           |         |

### Electrical data

|                                 |                 |  |  |
|---------------------------------|-----------------|--|--|
| Operating voltage [V]           | 8...32 DC       |  |  |
| Min. insulation resistance [MΩ] | 100; (500 V DC) |  |  |
| Protection class                | III             |  |  |
| Reverse polarity protection     | yes             |  |  |
| Power-on delay time [s]         | < 0.1           |  |  |

### Inputs / outputs

|                              |                             |  |  |
|------------------------------|-----------------------------|--|--|
| Number of inputs and outputs | Number of analog outputs: 1 |  |  |
|------------------------------|-----------------------------|--|--|

### Outputs

|                            |   |  |  |
|----------------------------|---|--|--|
| Total number of outputs    | 1   |  |  |
| Output signal              | analog signal   |  |  |
| Number of analog outputs   | 1   |  |  |
| Analog current output [mA] | 4...20  |  |  |
| Max. load [Ω]              | (U <sub>b</sub> - 8 V) / 21,5 mA; @8V = 0 Ω; @12V max. 200 Ω; @24V max. 750 Ω |  |  |
| Short-circuit proof        | yes   |  |  |

# PT5560



## Pressure transmitter

PT-600-SEG14-A-ZVG/US

|   |   |                     |            |
|---|---|---------------------|------------|
| Overload protection                                       | yes   |                     |            |
| <b>Measuring/setting range</b>                            |   |                     |            |
| Measuring range   | 0...600 bar   | 0...8700 psi        | 0...60 MPa |
| <b>Accuracy / deviations</b>                              |   |                     |            |
| Repeatability [% of the span]                             | < ± 0,05; (with temperature fluctuations < 10 K)  |                     |            |
| Characteristics deviation [% of the span]                 | < ± 0,8; (incl. drift when overtightened, zero point and span error, non-linearity, hysteresis) |                     |            |
| Linearity deviation [% of the span]                       | < ± 0,25 (BFSL) / < ± 0,5 (LS)  |                     |            |
| Hysteresis deviation [% of the span]                      | < ± 0,2   |                     |            |
| Long-term stability [% of the span]                       | < ± 0,1; (per 6 months)   |                     |            |
| Temperature coefficient zero point [% of the span / 10 K] | < ± 0,1 (0...80 °C); < ± 0,2 (-40...0 °C / 80...125 °C)   |                     |            |
| Temperature coefficient span [% of the span / 10 K]       | < ± 0,1 (0...80 °C); < ± 0,2 (-40...0 °C / 80...125 °C)   |                     |            |
| <b>Reaction times</b>                                     |   |                     |            |
| Step response time analog output [ms]                     | 2   |                     |            |
| <b>Operating conditions</b>                               |   |                     |            |
| Ambient temperature [°C]                                  | -40...100   |                     |            |
| Storage temperature [°C]                                  | -40...100   |                     |            |
| Protection  | IP 67; IP 69K   |                     |            |
| <b>Tests / approvals</b>                                  |   |                     |            |
| EMC   | compliant with UN ECE R10, rev. 5   | (E1 compliant)      |            |
|   | ISO 11452-2   | 100 V/m             |            |
|   | DIN EN 61326-1  |                     |            |
| Shock resistance  | DIN EN 60068-2-27   | 500 g (1 ms)        |            |
| Vibration resistance                                      | DIN EN 60068-2-6  | 20 g (10...2000 Hz) |            |
| MTTF [years]  | 704   |                     |            |
| UL approval   | UL approval number  | J074                |            |
|   | File number UL  | E174189             |            |
| Pressure equipment directive                              | Modul A; can be used for group 2 fluids; group 1 fluids on request                              |                     |            |
| <b>Mechanical data</b>                                    |   |                     |            |
| Weight [g]  | 59.5  |                     |            |
| Housing   | tubular   |                     |            |
| Dimensions [mm]   | Ø 19 / L = 66   |                     |            |
| Material  | stainless steel (630/1.4542/17-4 PH); stainless steel (1.4404 / 316L); PEI                      |                     |            |
| Materials (wetted parts)                                  | stainless steel (630/1.4542/17-4 PH)  |                     |            |
| Min. pressure cycles                                      | 60 million; (at 1.2 times nominal pressure)   |                     |            |
| Tightening torque [Nm]                                    | 30...50; (recommended tightening torque; Depends on lubrication, seal and pressure rating)      |                     |            |
| Process connection  | threaded connection G 1/4 external thread (DIN EN ISO 1179-2)                                   |                     |            |
| Process connection sealing                                | HNBR (DIN EN ISO 1179-2)  |                     |            |

# PT5560



## Pressure transmitter

PT-600-SEG14-A-ZVG/US

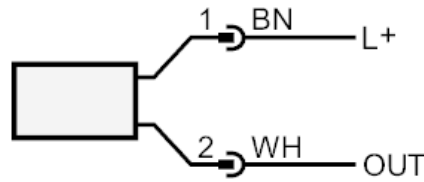
|                               |   |
|-------------------------------|---|
| Restrictor element integrated | yes   |
| <b>Remarks</b>                |   |
| Remarks                       | BFSL = Best Fit Straight Line<br>LS = limit value setting |
| Pack quantity                 | 1 pcs.  |

### Electrical connection

Connector: 1 x M12; coding: A



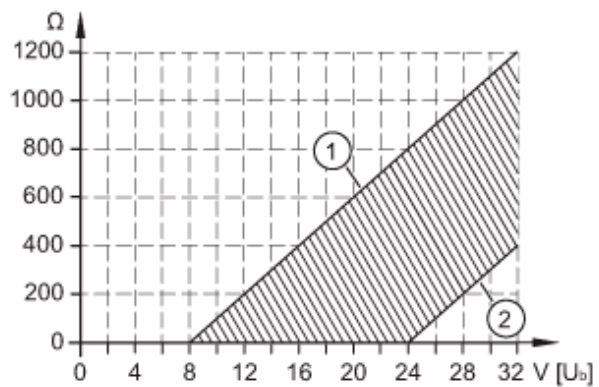
### Connection



OUT            analog output  
                  Colors to DIN EN 60947-5-2  
                  Core colors :  
 BN =            brown  
 WH =            white

### Diagrams and graphs

Characteristic load curve current output



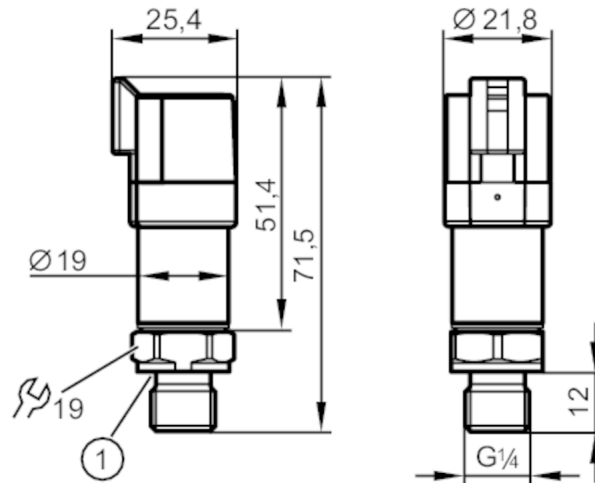
1: Max. load  
 2: Min. load

# PT5700



## Pressure transmitter

PT-400-SEG14-A-ZVG/DE



1 sealing



### Product characteristics

|                              |   |              |            |
|------------------------------|---|--------------|------------|
| Number of inputs and outputs | Number of analog outputs: 1                                   |              |            |
| Measuring range              | 0...400 bar   | 0...5800 psi | 0...40 MPa |
| Process connection           | threaded connection G 1/4 external thread (DIN EN ISO 1179-2) |              |            |

### Application

|                         |                         |           |         |
|-------------------------|-------------------------|-----------|---------|
| Application             | for mobile applications |           |         |
| Media                   | liquids and gases       |           |         |
| Medium temperature [°C] | -40...125               |           |         |
| Min. burst pressure     | 1700 bar                | 24655 psi | 170 MPa |
| Pressure rating         | 1000 bar                | 14500 psi | 100 MPa |
| Note on pressure rating | static                  |           |         |
| Vacuum resistance       | -1000 mbar              | -0.1 MPa  |         |
| Type of pressure        | relative pressure       |           |         |

### Electrical data

|                                 |                 |  |  |
|---------------------------------|-----------------|--|--|
| Operating voltage [V]           | 8...32 DC       |  |  |
| Min. insulation resistance [MΩ] | 100; (500 V DC) |  |  |
| Protection class                | III             |  |  |
| Reverse polarity protection     | yes             |  |  |
| Power-on delay time [s]         | < 0.1           |  |  |

### Inputs / outputs

|                              |                             |  |  |
|------------------------------|-----------------------------|--|--|
| Number of inputs and outputs | Number of analog outputs: 1 |  |  |
|------------------------------|-----------------------------|--|--|

### Outputs

|                            |   |  |  |
|----------------------------|---|--|--|
| Total number of outputs    | 1   |  |  |
| Output signal              | analog signal   |  |  |
| Number of analog outputs   | 1   |  |  |
| Analog current output [mA] | 4...20  |  |  |
| Max. load [Ω]              | (U <sub>b</sub> - 8 V) / 21,5 mA; @8V = 0 Ω; @12V max. 200 Ω; @24V max. 750 Ω |  |  |
| Short-circuit proof        | yes   |  |  |

# PT5700



## Pressure transmitter

PT-400-SEG14-A-ZVG/DE

|   |   |                     |            |
|---|---|---------------------|------------|
| Overload protection                                       | yes   |                     |            |
| <b>Measuring/setting range</b>                            |   |                     |            |
| Measuring range   | 0...400 bar   | 0...5800 psi        | 0...40 MPa |
| <b>Accuracy / deviations</b>                              |   |                     |            |
| Repeatability [% of the span]                             | < ± 0,05; (with temperature fluctuations < 10 K)  |                     |            |
| Characteristics deviation [% of the span]                 | < ± 0,8; (incl. drift when overtightened, zero point and span error, non-linearity, hysteresis) |                     |            |
| Linearity deviation [% of the span]                       | < ± 0,25 (BFSL) / < ± 0,5 (LS)  |                     |            |
| Hysteresis deviation [% of the span]                      | < ± 0,2   |                     |            |
| Long-term stability [% of the span]                       | < ± 0,1; (per 6 months)   |                     |            |
| Temperature coefficient zero point [% of the span / 10 K] | < ± 0,1 (0...80 °C); < ± 0,2 (-40...0 °C / 80...125 °C)   |                     |            |
| Temperature coefficient span [% of the span / 10 K]       | < ± 0,1 (0...80 °C); < ± 0,2 (-40...0 °C / 80...125 °C)   |                     |            |
| <b>Reaction times</b>                                     |   |                     |            |
| Step response time analog output [ms]                     | 2   |                     |            |
| <b>Operating conditions</b>                               |   |                     |            |
| Ambient temperature [°C]                                  | -40...100   |                     |            |
| Storage temperature [°C]                                  | -40...100   |                     |            |
| Protection  | IP 67; IP 69K   |                     |            |
| <b>Tests / approvals</b>                                  |   |                     |            |
| EMC   | compliant with UN ECE R10, rev. 5   | (E1 compliant)      |            |
|   | ISO 11452-2   | 100 V/m             |            |
|   | DIN EN 61326-1  |                     |            |
| Shock resistance  | DIN EN 60068-2-27   | 500 g (1 ms)        |            |
| Vibration resistance                                      | DIN EN 60068-2-6  | 20 g (10...2000 Hz) |            |
| MTTF [years]  | 700   |                     |            |
| Pressure equipment directive                              | sound engineering practice; can be used for group 2 fluids; group 1 fluids on request           |                     |            |
| <b>Mechanical data</b>                                    |   |                     |            |
| Weight [g]  | 62.5  |                     |            |
| Housing   | tubular   |                     |            |
| Dimensions [mm]   | Ø 19 / L = 71.5   |                     |            |
| Material  | stainless steel (630/1.4542/17-4 PH); stainless steel (1.4404 / 316L); PPS                      |                     |            |
| Materials (wetted parts)                                  | stainless steel (630/1.4542/17-4 PH)  |                     |            |
| Min. pressure cycles                                      | 60 million; (at 1.2 times nominal pressure)   |                     |            |
| Tightening torque [Nm]                                    | 25...35; (recommended tightening torque; Depends on lubrication, seal and pressure rating)      |                     |            |
| Process connection  | threaded connection G 1/4 external thread (DIN EN ISO 1179-2)                                   |                     |            |
| Process connection sealing                                | HNBR (DIN EN ISO 1179-2)  |                     |            |
| Restrictor element integrated                             | yes   |                     |            |

# PT5700



## Pressure transmitter

PT-400-SEG14-A-ZVG/DE

### Remarks

Remarks

BFSL = Best Fit Straight Line

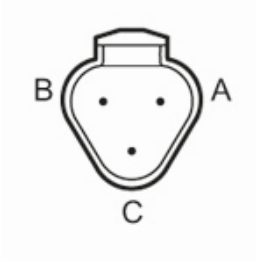
LS = limit value setting

Pack quantity

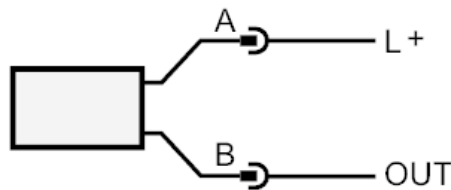
1 pcs.

### Electrical connection

Connector: 1 x DEUTSCH connector (DT04-3P)



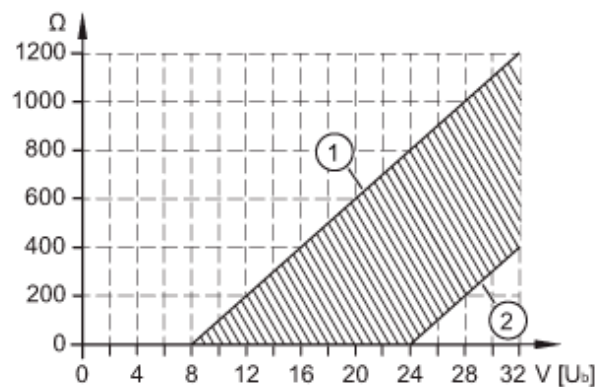
### Connection



OUT analog output

### Diagrams and graphs

Characteristic load curve current output



1: Max. load

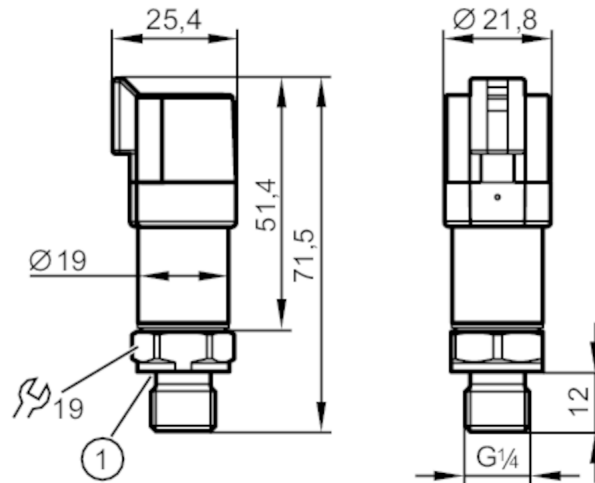
2: Min. load

# PT5701



## Pressure transmitter

PT-250-SEG14-A-ZVG/DE



1 sealing



### Product characteristics

|                              |   |              |            |
|------------------------------|---|--------------|------------|
| Number of inputs and outputs | Number of analog outputs: 1                                   |              |            |
| Measuring range              | 0...250 bar   | 0...3625 psi | 0...25 MPa |
| Process connection           | threaded connection G 1/4 external thread (DIN EN ISO 1179-2) |              |            |

### Application

|                         |                         |           |          |
|-------------------------|-------------------------|-----------|----------|
| Application             | for mobile applications |           |          |
| Media                   | liquids and gases       |           |          |
| Medium temperature [°C] | -40...125               |           |          |
| Min. burst pressure     | 1200 bar                | 17400 psi | 120 MPa  |
| Pressure rating         | 625 bar                 | 9060 psi  | 62.5 MPa |
| Note on pressure rating | static                  |           |          |
| Vacuum resistance       | -1000 mbar              | -0.1 MPa  |          |
| Type of pressure        | relative pressure       |           |          |

### Electrical data

|                                 |                 |  |  |
|---------------------------------|-----------------|--|--|
| Operating voltage [V]           | 8...32 DC       |  |  |
| Min. insulation resistance [MΩ] | 100; (500 V DC) |  |  |
| Protection class                | III             |  |  |
| Reverse polarity protection     | yes             |  |  |
| Power-on delay time [s]         | < 0.1           |  |  |

### Inputs / outputs

|                              |                             |  |  |
|------------------------------|-----------------------------|--|--|
| Number of inputs and outputs | Number of analog outputs: 1 |  |  |
|------------------------------|-----------------------------|--|--|

### Outputs

|                            |   |  |  |
|----------------------------|---|--|--|
| Total number of outputs    | 1   |  |  |
| Output signal              | analog signal   |  |  |
| Number of analog outputs   | 1   |  |  |
| Analog current output [mA] | 4...20  |  |  |
| Max. load [Ω]              | (U <sub>b</sub> - 8 V) / 21,5 mA; @8V = 0 Ω; @12V max. 200 Ω; @24V max. 750 Ω |  |  |
| Short-circuit proof        | yes   |  |  |

# PT5701



## Pressure transmitter

PT-250-SEG14-A-ZVG/DE

|   |   |                     |            |
|---|---|---------------------|------------|
| Overload protection                                       | yes   |                     |            |
| <b>Measuring/setting range</b>                            |   |                     |            |
| Measuring range   | 0...250 bar   | 0...3625 psi        | 0...25 MPa |
| <b>Accuracy / deviations</b>                              |   |                     |            |
| Repeatability [% of the span]                             | < ± 0,05; (with temperature fluctuations < 10 K)  |                     |            |
| Characteristics deviation [% of the span]                 | < ± 0,8; (incl. drift when overtightened, zero point and span error, non-linearity, hysteresis) |                     |            |
| Linearity deviation [% of the span]                       | < ± 0,25 (BFSL) / < ± 0,5 (LS)  |                     |            |
| Hysteresis deviation [% of the span]                      | < ± 0,2   |                     |            |
| Long-term stability [% of the span]                       | < ± 0,1; (per 6 months)   |                     |            |
| Temperature coefficient zero point [% of the span / 10 K] | < ± 0,1 (0...80 °C); < ± 0,2 (-40...0 °C / 80...125 °C)   |                     |            |
| Temperature coefficient span [% of the span / 10 K]       | < ± 0,1 (0...80 °C); < ± 0,2 (-40...0 °C / 80...125 °C)   |                     |            |
| <b>Reaction times</b>                                     |   |                     |            |
| Step response time analog output [ms]                     | 2   |                     |            |
| <b>Operating conditions</b>                               |   |                     |            |
| Ambient temperature [°C]                                  | -40...100   |                     |            |
| Storage temperature [°C]                                  | -40...100   |                     |            |
| Protection  | IP 67; IP 69K   |                     |            |
| <b>Tests / approvals</b>                                  |   |                     |            |
| EMC   | compliant with UN ECE R10, rev. 5   | (E1 compliant)      |            |
|   | ISO 11452-2   | 100 V/m             |            |
|   | DIN EN 61326-1  |                     |            |
| Shock resistance  | DIN EN 60068-2-27   | 500 g (1 ms)        |            |
| Vibration resistance                                      | DIN EN 60068-2-6  | 20 g (10...2000 Hz) |            |
| MTTF [years]  | 700   |                     |            |
| Pressure equipment directive                              | sound engineering practice; can be used for group 2 fluids; group 1 fluids on request           |                     |            |
| <b>Mechanical data</b>                                    |   |                     |            |
| Weight [g]  | 62.5  |                     |            |
| Housing   | tubular   |                     |            |
| Dimensions [mm]   | Ø 19 / L = 71.5   |                     |            |
| Material  | stainless steel (630/1.4542/17-4 PH); stainless steel (1.4404 / 316L); PPS                      |                     |            |
| Materials (wetted parts)                                  | stainless steel (630/1.4542/17-4 PH)  |                     |            |
| Min. pressure cycles                                      | 60 million; (at 1.2 times nominal pressure)   |                     |            |
| Tightening torque [Nm]                                    | 25...35; (recommended tightening torque; Depends on lubrication, seal and pressure rating)      |                     |            |
| Process connection  | threaded connection G 1/4 external thread (DIN EN ISO 1179-2)                                   |                     |            |
| Process connection sealing                                | HNBR (DIN EN ISO 1179-2)  |                     |            |
| Restrictor element integrated                             | yes   |                     |            |

# PT5701



## Pressure transmitter

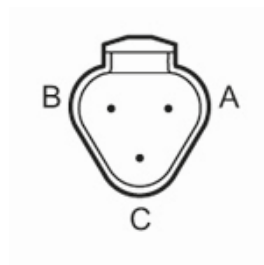
PT-250-SEG14-A-ZVG/DE

### Remarks

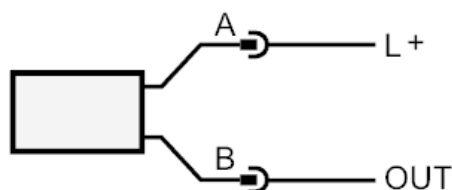
|               |   |
|---------------|---|
| Remarks       | BFSL = Best Fit Straight Line<br>LS = limit value setting |
| Pack quantity | 1 pcs.  |

### Electrical connection

Connector: 1 x DEUTSCH connector (DT04-3P)



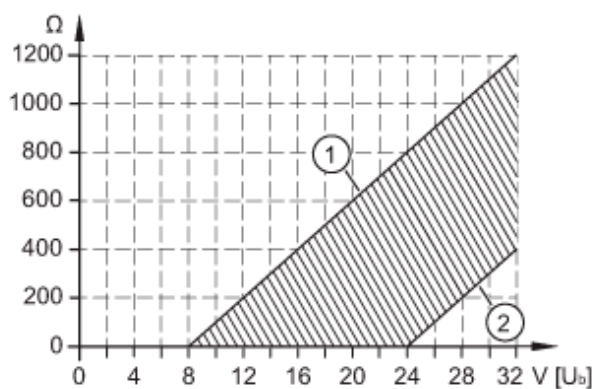
### Connection



OUT analog output

### Diagrams and graphs

Characteristic load curve current output



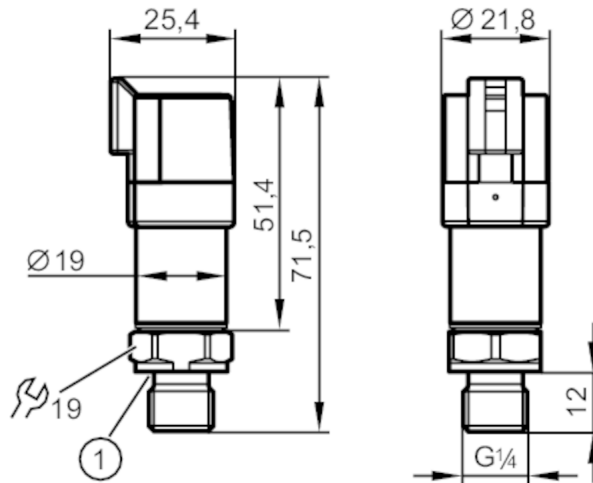
- 1: Max. load
- 2: Min. load

# PT5702



## Pressure transmitter

PT-100-SEG14-A-ZVG/DE



1 sealing



### Product characteristics

|                              |   |              |            |
|------------------------------|---|--------------|------------|
| Number of inputs and outputs | Number of analog outputs: 1                                   |              |            |
| Measuring range              | 0...100 bar   | 0...1450 psi | 0...10 MPa |
| Process connection           | threaded connection G 1/4 external thread (DIN EN ISO 1179-2) |              |            |

### Application

|                         |                         |           |         |
|-------------------------|-------------------------|-----------|---------|
| Application             | for mobile applications |           |         |
| Media                   | liquids and gases       |           |         |
| Medium temperature [°C] | -40...125               |           |         |
| Min. burst pressure     | 1000 bar                | 14500 psi | 100 MPa |
| Pressure rating         | 250 bar                 | 3625 psi  | 25 MPa  |
| Note on pressure rating | static                  |           |         |
| Vacuum resistance       | -1000 mbar              | -0.1 MPa  |         |
| Type of pressure        | relative pressure       |           |         |

### Electrical data

|                                 |                 |  |  |
|---------------------------------|-----------------|--|--|
| Operating voltage [V]           | 8...32 DC       |  |  |
| Min. insulation resistance [MΩ] | 100; (500 V DC) |  |  |
| Protection class                | III             |  |  |
| Reverse polarity protection     | yes             |  |  |
| Power-on delay time [s]         | < 0.1           |  |  |

### Inputs / outputs

|                              |                             |  |  |
|------------------------------|-----------------------------|--|--|
| Number of inputs and outputs | Number of analog outputs: 1 |  |  |
|------------------------------|-----------------------------|--|--|

### Outputs

|                            |   |  |  |
|----------------------------|---|--|--|
| Total number of outputs    | 1   |  |  |
| Output signal              | analog signal   |  |  |
| Number of analog outputs   | 1   |  |  |
| Analog current output [mA] | 4...20  |  |  |
| Max. load [Ω]              | (U <sub>b</sub> - 8 V) / 21,5 mA; @8V = 0 Ω; @12V max. 200 Ω; @24V max. 750 Ω |  |  |
| Short-circuit proof        | yes   |  |  |

# PT5702



## Pressure transmitter

PT-100-SEG14-A-ZVG/DE

|   |   |                     |            |
|---|---|---------------------|------------|
| Overload protection                                       | yes   |                     |            |
| <b>Measuring/setting range</b>                            |   |                     |            |
| Measuring range   | 0...100 bar   | 0...1450 psi        | 0...10 MPa |
| <b>Accuracy / deviations</b>                              |   |                     |            |
| Repeatability [% of the span]                             | < ± 0,05; (with temperature fluctuations < 10 K)  |                     |            |
| Characteristics deviation [% of the span]                 | < ± 0,8; (incl. drift when overtightened, zero point and span error, non-linearity, hysteresis) |                     |            |
| Linearity deviation [% of the span]                       | < ± 0,25 (BFSL) / < ± 0,5 (LS)  |                     |            |
| Hysteresis deviation [% of the span]                      | < ± 0,2   |                     |            |
| Long-term stability [% of the span]                       | < ± 0,1; (per 6 months)   |                     |            |
| Temperature coefficient zero point [% of the span / 10 K] | < ± 0,1 (0...80 °C); < ± 0,2 (-40...0 °C / 80...125 °C)   |                     |            |
| Temperature coefficient span [% of the span / 10 K]       | < ± 0,1 (0...80 °C); < ± 0,2 (-40...0 °C / 80...125 °C)   |                     |            |
| <b>Reaction times</b>                                     |   |                     |            |
| Step response time analog output [ms]                     | 2   |                     |            |
| <b>Operating conditions</b>                               |   |                     |            |
| Ambient temperature [°C]                                  | -40...100   |                     |            |
| Storage temperature [°C]                                  | -40...100   |                     |            |
| Protection  | IP 67; IP 69K   |                     |            |
| <b>Tests / approvals</b>                                  |   |                     |            |
| EMC   | compliant with UN ECE R10, rev. 5   | (E1 compliant)      |            |
|   | ISO 11452-2   | 100 V/m             |            |
|   | DIN EN 61326-1  |                     |            |
| Shock resistance  | DIN EN 60068-2-27   | 500 g (1 ms)        |            |
| Vibration resistance                                      | DIN EN 60068-2-6  | 20 g (10...2000 Hz) |            |
| MTTF [years]  | 700   |                     |            |
| Pressure equipment directive                              | sound engineering practice; can be used for group 2 fluids; group 1 fluids on request           |                     |            |
| <b>Mechanical data</b>                                    |   |                     |            |
| Weight [g]  | 61.5  |                     |            |
| Housing   | tubular   |                     |            |
| Dimensions [mm]   | Ø 19 / L = 71.5   |                     |            |
| Material  | stainless steel (630/1.4542/17-4 PH); stainless steel (1.4404 / 316L); PPS                      |                     |            |
| Materials (wetted parts)                                  | stainless steel (630/1.4542/17-4 PH)  |                     |            |
| Min. pressure cycles                                      | 60 million; (at 1.2 times nominal pressure)   |                     |            |
| Tightening torque [Nm]                                    | 25...35; (recommended tightening torque; Depends on lubrication, seal and pressure rating)      |                     |            |
| Process connection  | threaded connection G 1/4 external thread (DIN EN ISO 1179-2)                                   |                     |            |
| Process connection sealing                                | HNBR (DIN EN ISO 1179-2)  |                     |            |
| Restrictor element integrated                             | yes   |                     |            |

# PT5702



## Pressure transmitter

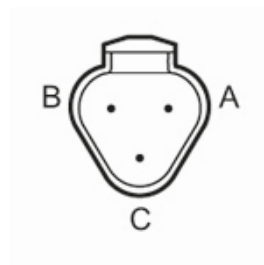
PT-100-SEG14-A-ZVG/DE

### Remarks

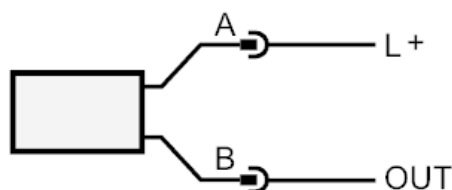
|               |   |
|---------------|---|
| Remarks       | BFSL = Best Fit Straight Line<br>LS = limit value setting |
| Pack quantity | 1 pcs.  |

### Electrical connection

Connector: 1 x DEUTSCH connector (DT04-3P)



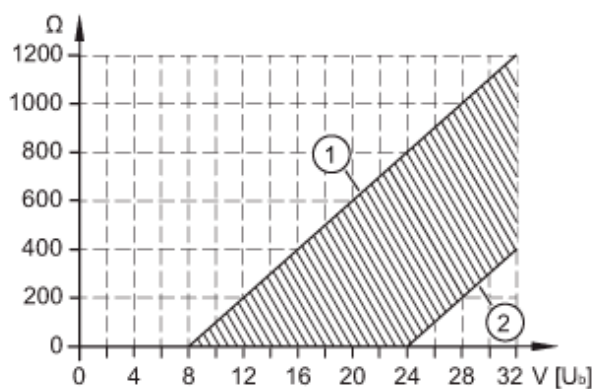
### Connection



OUT analog output

### Diagrams and graphs

Characteristic load curve current output



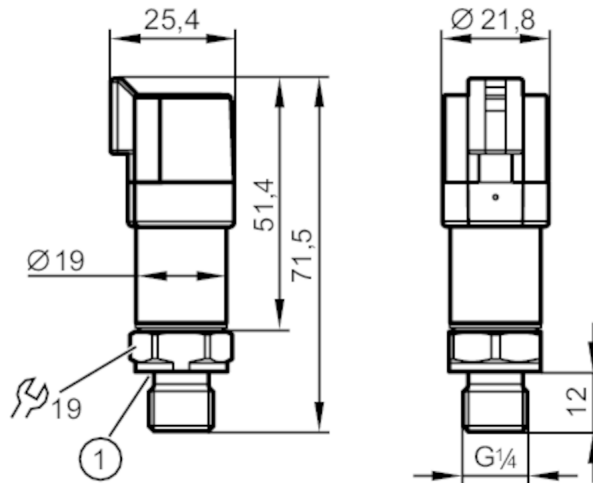
- 1: Max. load
- 2: Min. load

# PT5703



## Pressure transmitter

PT-025-SEG14-A-ZVG/DE



1 sealing



### Product characteristics

|                              |   |             |             |
|------------------------------|---|-------------|-------------|
| Number of inputs and outputs | Number of analog outputs: 1                                   |             |             |
| Measuring range              | 0...25 bar  | 0...360 psi | 0...2.5 MPa |
| Process connection           | threaded connection G 1/4 external thread (DIN EN ISO 1179-2) |             |             |

### Application

|                         |                         |          |         |
|-------------------------|-------------------------|----------|---------|
| Application             | for mobile applications |          |         |
| Media                   | liquids and gases       |          |         |
| Medium temperature [°C] | -40...125               |          |         |
| Min. burst pressure     | 600 bar                 | 8700 psi | 60 MPa  |
| Pressure rating         | 65 bar                  | 940 psi  | 6.5 MPa |
| Note on pressure rating | static                  |          |         |
| Vacuum resistance       | -1000 mbar              | -0.1 MPa |         |
| Type of pressure        | relative pressure       |          |         |

### Electrical data

|                                 |                 |  |  |
|---------------------------------|-----------------|--|--|
| Operating voltage [V]           | 8...32 DC       |  |  |
| Min. insulation resistance [MΩ] | 100; (500 V DC) |  |  |
| Protection class                | III             |  |  |
| Reverse polarity protection     | yes             |  |  |
| Power-on delay time [s]         | < 0.1           |  |  |

### Inputs / outputs

|                              |                             |  |  |
|------------------------------|-----------------------------|--|--|
| Number of inputs and outputs | Number of analog outputs: 1 |  |  |
|------------------------------|-----------------------------|--|--|

### Outputs

|                            |   |  |  |
|----------------------------|---|--|--|
| Total number of outputs    | 1   |  |  |
| Output signal              | analog signal   |  |  |
| Number of analog outputs   | 1   |  |  |
| Analog current output [mA] | 4...20  |  |  |
| Max. load [Ω]              | (U <sub>b</sub> - 8 V) / 21,5 mA; @8V = 0 Ω; @12V max. 200 Ω; @24V max. 750 Ω |  |  |
| Short-circuit proof        | yes   |  |  |

# PT5703



## Pressure transmitter

PT-025-SEG14-A-ZVG/DE

|   |   |                     |             |
|---|---|---------------------|-------------|
| Overload protection                                       | yes   |                     |             |
| <b>Measuring/setting range</b>                            |   |                     |             |
| Measuring range   | 0...25 bar  | 0...360 psi         | 0...2.5 MPa |
| <b>Accuracy / deviations</b>                              |   |                     |             |
| Repeatability [% of the span]                             | < ± 0,05; (with temperature fluctuations < 10 K)  |                     |             |
| Characteristics deviation [% of the span]                 | < ± 0,8; (incl. drift when overtightened, zero point and span error, non-linearity, hysteresis) |                     |             |
| Linearity deviation [% of the span]                       | < ± 0,25 (BFSL) / < ± 0,5 (LS)  |                     |             |
| Hysteresis deviation [% of the span]                      | < ± 0,2   |                     |             |
| Long-term stability [% of the span]                       | < ± 0,1; (per 6 months)   |                     |             |
| Temperature coefficient zero point [% of the span / 10 K] | < ± 0,1 (0...80 °C); < ± 0,2 (-40...0 °C / 80...125 °C)   |                     |             |
| Temperature coefficient span [% of the span / 10 K]       | < ± 0,1 (0...80 °C); < ± 0,3 (-40...0 °C); < ± 0,2 (80...125 °C)                                |                     |             |
| <b>Reaction times</b>                                     |   |                     |             |
| Step response time analog output [ms]                     | 2   |                     |             |
| <b>Operating conditions</b>                               |   |                     |             |
| Ambient temperature [°C]                                  | -40...100   |                     |             |
| Storage temperature [°C]                                  | -40...100   |                     |             |
| Protection  | IP 67; IP 69K   |                     |             |
| <b>Tests / approvals</b>                                  |   |                     |             |
| EMC   | compliant with UN ECE R10, rev. 5   | (E1 compliant)      |             |
|   | ISO 11452-2   | 100 V/m             |             |
|   | DIN EN 61326-1  |                     |             |
| Shock resistance  | DIN EN 60068-2-27   | 500 g (1 ms)        |             |
| Vibration resistance                                      | DIN EN 60068-2-6  | 20 g (10...2000 Hz) |             |
| MTTF [years]  | 700   |                     |             |
| Pressure equipment directive                              | sound engineering practice; can be used for group 2 fluids; group 1 fluids on request           |                     |             |
| <b>Mechanical data</b>                                    |   |                     |             |
| Weight [g]  | 61.5  |                     |             |
| Housing   | tubular   |                     |             |
| Dimensions [mm]   | Ø 19 / L = 71.5   |                     |             |
| Material  | stainless steel (630/1.4542/17-4 PH); stainless steel (1.4404 / 316L); PPS                      |                     |             |
| Materials (wetted parts)                                  | stainless steel (630/1.4542/17-4 PH)  |                     |             |
| Min. pressure cycles                                      | 60 million; (at 1.2 times nominal pressure)   |                     |             |
| Tightening torque [Nm]                                    | 25...35; (recommended tightening torque; Depends on lubrication, seal and pressure rating)      |                     |             |
| Process connection  | threaded connection G 1/4 external thread (DIN EN ISO 1179-2)                                   |                     |             |
| Process connection sealing                                | HNBR (DIN EN ISO 1179-2)  |                     |             |
| Restrictor element integrated                             | yes   |                     |             |

# PT5703



## Pressure transmitter

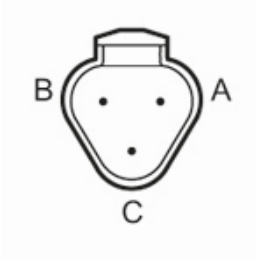
PT-025-SEG14-A-ZVG/DE

### Remarks

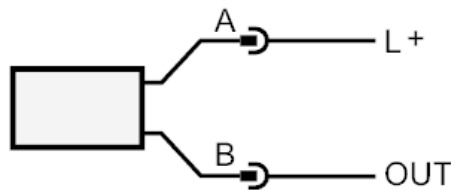
|               |   |
|---------------|---|
| Remarks       | BFSL = Best Fit Straight Line<br>LS = limit value setting |
| Pack quantity | 1 pcs.  |

### Electrical connection

Connector: 1 x DEUTSCH connector (DT04-3P)



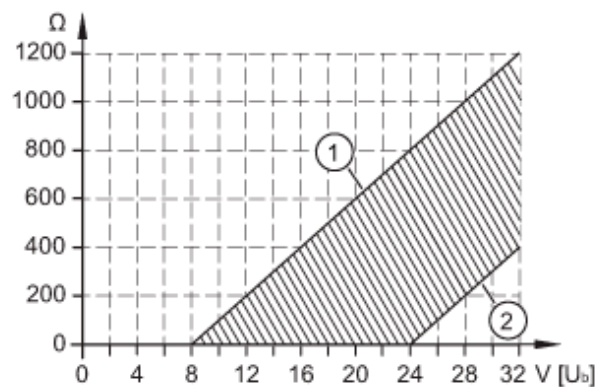
### Connection



OUT analog output

### Diagrams and graphs

Characteristic load curve current output



1: Max. load

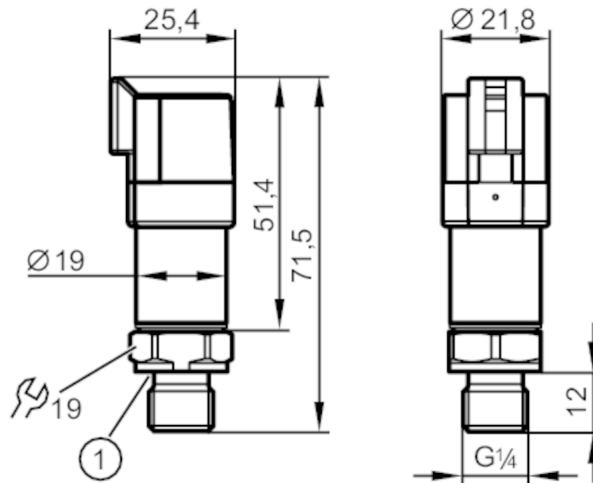
2: Min. load

# PT5704



## Pressure transmitter

PT-010-SEG14-A-ZVG/DE



1 sealing



### Product characteristics

|                              |   |             |              |           |
|------------------------------|---|-------------|--------------|-----------|
| Number of inputs and outputs | Number of analog outputs: 1                                   |             |              |           |
| Measuring range              | 0...10 bar  | 0...145 psi | 0...1000 kPa | 0...1 MPa |
| Process connection           | threaded connection G 1/4 external thread (DIN EN ISO 1179-2) |             |              |           |

### Application

|                         |                         |          |         |
|-------------------------|-------------------------|----------|---------|
| Application             | for mobile applications |          |         |
| Media                   | liquids and gases       |          |         |
| Medium temperature [°C] | -40...125               |          |         |
| Min. burst pressure     | 300 bar                 | 4350 psi | 30 MPa  |
| Pressure rating         | 25 bar                  | 360 psi  | 2.5 MPa |
| Note on pressure rating | static                  |          |         |
| Vacuum resistance       | -1000 mbar              | -0.1 MPa |         |
| Type of pressure        | relative pressure       |          |         |

### Electrical data

|                                 |                 |
|---------------------------------|-----------------|
| Operating voltage [V]           | 8...32 DC       |
| Min. insulation resistance [MΩ] | 100; (500 V DC) |
| Protection class                | III             |
| Reverse polarity protection     | yes             |
| Power-on delay time [s]         | < 0.1           |

### Inputs / outputs

|                              |                             |
|------------------------------|-----------------------------|
| Number of inputs and outputs | Number of analog outputs: 1 |
|------------------------------|-----------------------------|

### Outputs

|                            |   |
|----------------------------|---|
| Total number of outputs    | 1   |
| Output signal              | analog signal   |
| Number of analog outputs   | 1   |
| Analog current output [mA] | 4...20  |
| Max. load [Ω]              | (U <sub>b</sub> - 8 V) / 21,5 mA; @8V = 0 Ω; @12V max. 200 Ω; @24V max. 750 Ω |
| Short-circuit proof        | yes   |

# PT5704



## Pressure transmitter

PT-010-SEG14-A-ZVG/DE

|   |   |                     |              |           |
|---|---|---------------------|--------------|-----------|
| Overload protection                                       | yes   |                     |              |           |
| <b>Measuring/setting range</b>                            |   |                     |              |           |
| Measuring range   | 0...10 bar  | 0...145 psi         | 0...1000 kPa | 0...1 MPa |
| <b>Accuracy / deviations</b>                              |   |                     |              |           |
| Repeatability [% of the span]                             | < ± 0,05; (with temperature fluctuations < 10 K)  |                     |              |           |
| Characteristics deviation [% of the span]                 | < ± 0,8; (incl. drift when overtightened, zero point and span error, non-linearity, hysteresis) |                     |              |           |
| Linearity deviation [% of the span]                       | < ± 0,25 (BFSL) / < ± 0,5 (LS)  |                     |              |           |
| Hysteresis deviation [% of the span]                      | < ± 0,2   |                     |              |           |
| Long-term stability [% of the span]                       | < ± 0,1; (per 6 months)   |                     |              |           |
| Temperature coefficient zero point [% of the span / 10 K] | < ± 0,1 (0...80 °C); < ± 0,2 (-40...0 °C / 80...125 °C)   |                     |              |           |
| Temperature coefficient span [% of the span / 10 K]       | < ± 0,1 (0...80 °C); < ± 0,2 (-40...0 °C / 80...125 °C)   |                     |              |           |
| <b>Reaction times</b>                                     |   |                     |              |           |
| Step response time analog output [ms]                     | 2   |                     |              |           |
| <b>Operating conditions</b>                               |   |                     |              |           |
| Ambient temperature [°C]                                  | -40...100   |                     |              |           |
| Storage temperature [°C]                                  | -40...100   |                     |              |           |
| Protection  | IP 67; IP 69K   |                     |              |           |
| <b>Tests / approvals</b>                                  |   |                     |              |           |
| EMC   | compliant with UN ECE R10, rev. 5   | (E1 compliant)      |              |           |
|   | ISO 11452-2   | 100 V/m             |              |           |
|   | DIN EN 61326-1  |                     |              |           |
| Shock resistance  | DIN EN 60068-2-27   | 500 g (1 ms)        |              |           |
| Vibration resistance                                      | DIN EN 60068-2-6  | 20 g (10...2000 Hz) |              |           |
| MTTF [years]  | 700   |                     |              |           |
| Pressure equipment directive                              | sound engineering practice; can be used for group 2 fluids; group 1 fluids on request           |                     |              |           |
| <b>Mechanical data</b>                                    |   |                     |              |           |
| Weight [g]  | 61.5  |                     |              |           |
| Housing   | tubular   |                     |              |           |
| Dimensions [mm]   | Ø 19 / L = 71.5   |                     |              |           |
| Material  | stainless steel (630/1.4542/17-4 PH); stainless steel (1.4404 / 316L); PPS                      |                     |              |           |
| Materials (wetted parts)                                  | stainless steel (630/1.4542/17-4 PH)  |                     |              |           |
| Min. pressure cycles                                      | 60 million; (at 1.2 times nominal pressure)   |                     |              |           |
| Tightening torque [Nm]                                    | 25...35; (recommended tightening torque; Depends on lubrication, seal and pressure rating)      |                     |              |           |
| Process connection  | threaded connection G 1/4 external thread (DIN EN ISO 1179-2)                                   |                     |              |           |
| Process connection sealing                                | HNBR (DIN EN ISO 1179-2)  |                     |              |           |
| Restrictor element integrated                             | yes   |                     |              |           |

# PT5704



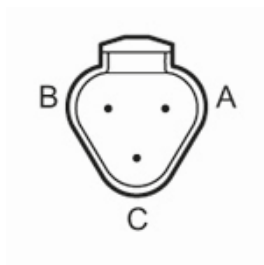
## Pressure transmitter

PT-010-SEG14-A-ZVG/DE

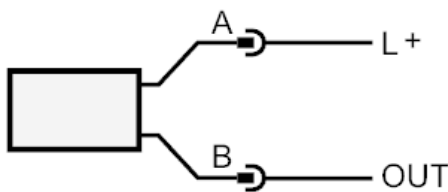
| Remarks       |   |
|---------------|---|
| Remarks       | BFSL = Best Fit Straight Line<br>LS = limit value setting |
| Pack quantity | 1 pcs.  |

### Electrical connection

Connector: 1 x DEUTSCH connector (DT04-3P)



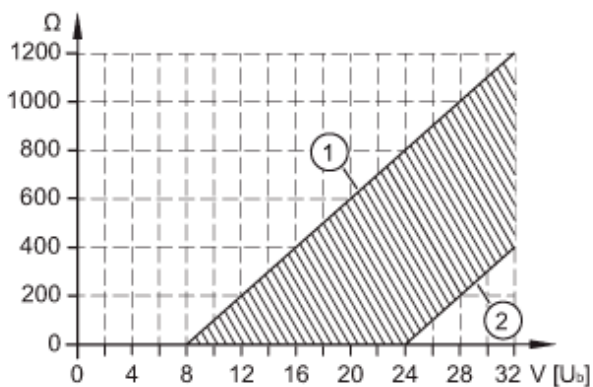
### Connection



OUT analog output

### Diagrams and graphs

Characteristic load curve current output



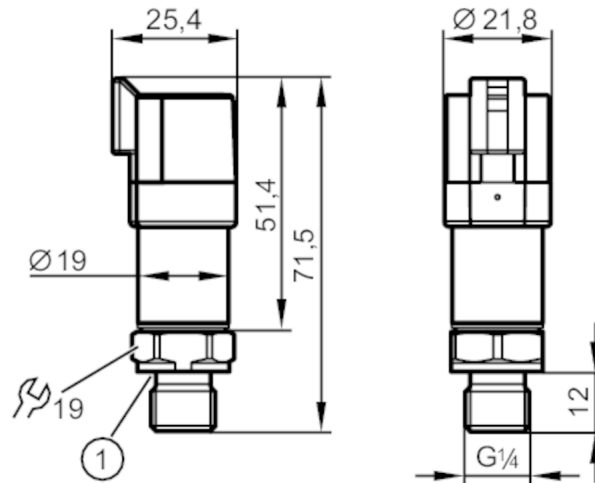
- 1: Max. load
- 2: Min. load

# PT5760



## Pressure transmitter

PT-600-SEG14-A-ZVG/DE



1 sealing



### Product characteristics

|                              |   |              |            |
|------------------------------|---|--------------|------------|
| Number of inputs and outputs | Number of analog outputs: 1                                   |              |            |
| Measuring range              | 0...600 bar   | 0...8700 psi | 0...60 MPa |
| Process connection           | threaded connection G 1/4 external thread (DIN EN ISO 1179-2) |              |            |

### Application

|                         |                         |           |         |
|-------------------------|-------------------------|-----------|---------|
| Application             | for mobile applications |           |         |
| Media                   | liquids and gases       |           |         |
| Medium temperature [°C] | -40...125               |           |         |
| Min. burst pressure     | 2500 bar                | 36255 psi | 250 MPa |
| Pressure rating         | 1500 bar                | 21755 psi | 150 MPa |
| Note on pressure rating | static                  |           |         |
| Vacuum resistance       | -1000 mbar              | -0.1 MPa  |         |
| Type of pressure        | relative pressure       |           |         |

### Electrical data

|                                 |                 |  |  |
|---------------------------------|-----------------|--|--|
| Operating voltage [V]           | 8...32 DC       |  |  |
| Min. insulation resistance [MΩ] | 100; (500 V DC) |  |  |
| Protection class                | III             |  |  |
| Reverse polarity protection     | yes             |  |  |
| Power-on delay time [s]         | < 0.1           |  |  |

### Inputs / outputs

|                              |                             |  |  |
|------------------------------|-----------------------------|--|--|
| Number of inputs and outputs | Number of analog outputs: 1 |  |  |
|------------------------------|-----------------------------|--|--|

### Outputs

|                            |   |  |  |
|----------------------------|---|--|--|
| Total number of outputs    | 1   |  |  |
| Output signal              | analog signal   |  |  |
| Number of analog outputs   | 1   |  |  |
| Analog current output [mA] | 4...20  |  |  |
| Max. load [Ω]              | (U <sub>b</sub> - 8 V) / 21,5 mA; @8V = 0 Ω; @12V max. 200 Ω; @24V max. 750 Ω |  |  |
| Short-circuit proof        | yes   |  |  |

# PT5760



## Pressure transmitter

PT-600-SEG14-A-ZVG/DE

|   |   |                     |            |
|---|---|---------------------|------------|
| Overload protection                                       | yes   |                     |            |
| <b>Measuring/setting range</b>                            |   |                     |            |
| Measuring range   | 0...600 bar   | 0...8700 psi        | 0...60 MPa |
| <b>Accuracy / deviations</b>                              |   |                     |            |
| Repeatability [% of the span]                             | < ± 0,05; (with temperature fluctuations < 10 K)  |                     |            |
| Characteristics deviation [% of the span]                 | < ± 0,8; (incl. drift when overtightened, zero point and span error, non-linearity, hysteresis) |                     |            |
| Linearity deviation [% of the span]                       | < ± 0,25 (BFSL) / < ± 0,5 (LS)  |                     |            |
| Hysteresis deviation [% of the span]                      | < ± 0,2   |                     |            |
| Long-term stability [% of the span]                       | < ± 0,1; (per 6 months)   |                     |            |
| Temperature coefficient zero point [% of the span / 10 K] | < ± 0,1 (0...80 °C); < ± 0,2 (-40...0 °C / 80...125 °C)   |                     |            |
| Temperature coefficient span [% of the span / 10 K]       | < ± 0,1 (0...80 °C); < ± 0,2 (-40...0 °C / 80...125 °C)   |                     |            |
| <b>Reaction times</b>                                     |   |                     |            |
| Step response time analog output [ms]                     | 2   |                     |            |
| <b>Operating conditions</b>                               |   |                     |            |
| Ambient temperature [°C]                                  | -40...100   |                     |            |
| Storage temperature [°C]                                  | -40...100   |                     |            |
| Protection  | IP 67; IP 69K   |                     |            |
| <b>Tests / approvals</b>                                  |   |                     |            |
| EMC   | compliant with UN ECE R10, rev. 5   | (E1 compliant)      |            |
|   | ISO 11452-2   | 100 V/m             |            |
|   | DIN EN 61326-1  |                     |            |
| Shock resistance  | DIN EN 60068-2-27   | 500 g (1 ms)        |            |
| Vibration resistance                                      | DIN EN 60068-2-6  | 20 g (10...2000 Hz) |            |
| MTTF [years]  | 700   |                     |            |
| Pressure equipment directive                              | Modul A; can be used for group 2 fluids; group 1 fluids on request                              |                     |            |
| <b>Mechanical data</b>                                    |   |                     |            |
| Weight [g]  | 62.5  |                     |            |
| Housing   | tubular   |                     |            |
| Dimensions [mm]   | Ø 19 / L = 71.5   |                     |            |
| Material  | stainless steel (630/1.4542/17-4 PH); stainless steel (1.4404 / 316L); PPS                      |                     |            |
| Materials (wetted parts)                                  | stainless steel (630/1.4542/17-4 PH)  |                     |            |
| Min. pressure cycles                                      | 60 million; (at 1.2 times nominal pressure)   |                     |            |
| Tightening torque [Nm]                                    | 30...50; (recommended tightening torque; Depends on lubrication, seal and pressure rating)      |                     |            |
| Process connection  | threaded connection G 1/4 external thread (DIN EN ISO 1179-2)                                   |                     |            |
| Process connection sealing                                | HNBR (DIN EN ISO 1179-2)  |                     |            |
| Restrictor element integrated                             | yes   |                     |            |

# PT5760



## Pressure transmitter

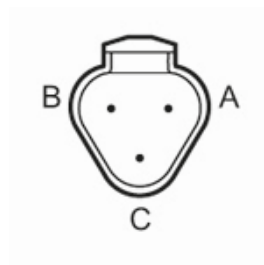
PT-600-SEG14-A-ZVG/DE

### Remarks

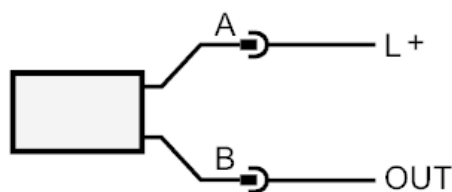
|               |   |
|---------------|---|
| Remarks       | BFSL = Best Fit Straight Line<br>LS = limit value setting |
| Pack quantity | 1 pcs.  |

### Electrical connection

Connector: 1 x DEUTSCH connector (DT04-3P)



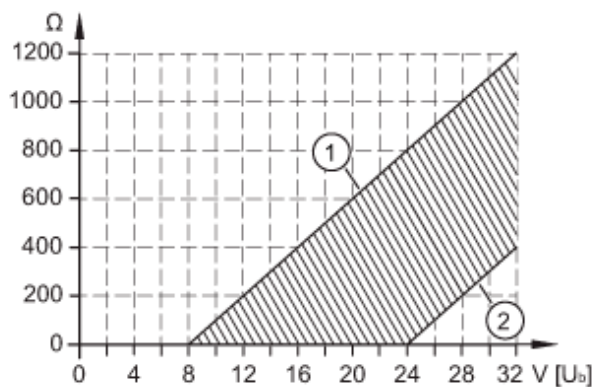
### Connection



OUT analog output

### Diagrams and graphs

Characteristic load curve current output



- 1: Max. load
- 2: Min. load